

Varistor Type MYG

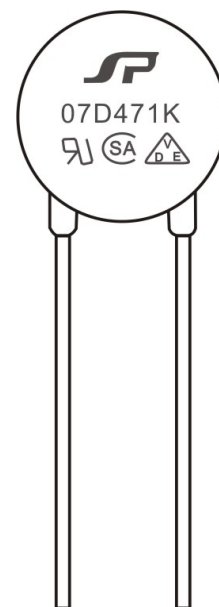
Type MYG Varistors are made of semiconductor ceramic materials composed mainly of zinc oxide. They have non-linear resistance that changes as a function of applied voltage. It has small size, high current capacity, and high protection level.

Features

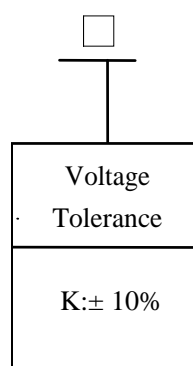
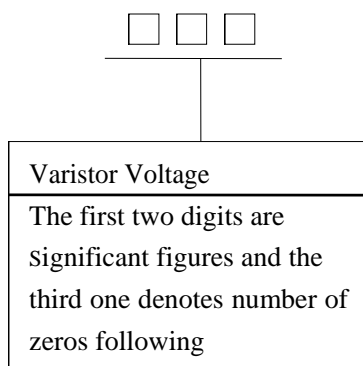
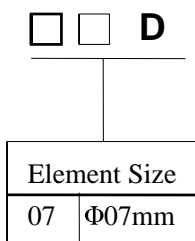
- > Wide Varistor voltage range (18V~820V)
- > Excellent non-linearity and protection level
- > Large withstanding surge current
- > Fast response ($\leq 20\text{ns}$)

Recommended Applications

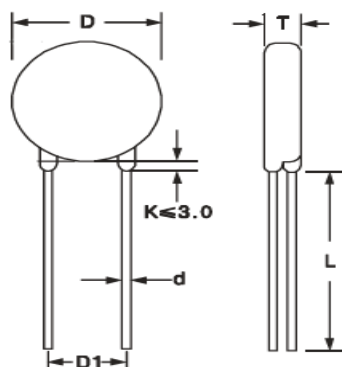
- > Protection of semiconductors
- > Surge protection of consumer equipment
- > Surge protection of communication, measuring or controller instrument
- > Relay or electromagnetic Valve surge absorption



Explanation of Part Numbers



Dimension



Range of voltage (V)	Dimensions(mm)				
	D max	T max	L min	d±0.1	D1± 1.0
18 - 68	9.0	3.5~6.0	25	0.6	5.0
82 - 820	9.0	4.2~6.5	20	0.6	5.0

Specification and Electrical Characteristics

Part Number	Maximum Allowable Voltage		Maximum Energy	Withstanding Surge Current 8/20 μ s		Rated Wattage	Varistor Voltage	Maximum Clamping Voltage
	Acrms (V)	DC (V)	10/100 μ S (J)	1 time	2times		V_{1mA} (V)	V_{5A} (V)
				(A)		(W)		
07D821K	510	670	67.2	1200	600	0.25	820(738-902)	1355
07D781K	485	640	67.2				780(702-858)	1290
07D751K	460	615	67.2				750(675-825)	1240
07D681K	420	560	61.6				680(612-748)	1120
07D621K	385	505	61.6				620(558-682)	1025
07D561K	350	460	56.0				560(504-616)	920
07D511K	320	415	56.0				510(459-561)	845
*07D471K	300	385	56.0				470(423-517)	775
07D431K	275	350	50.4				430(387-473)	710
07D391K	250	320	46.2				390(351-429)	650
07D361K	230	300	42.0				360(324-396)	595
07D331K	210	275	37.8				330(297-363)	550
07D301K	190	250	35.0				300(270-330)	505
*07D271K	175	225	32.2				270(243-297)	455
07D241K	150	200	28.0				240(216-264)	395
07D221K	140	180	28.0				220(198-242)	360
07D201K	130	170	25.2				200(180-220)	330
07D181K	115	150	18.2				180(162-198)	300
07D151K	95	125	16.8				150(135-165)	250
07D121K	75	100	14.0				120(108-132)	200
07D101K	60	85	11.6	100(90-110)	165			
*07D820K	50	65	9.8	82(74-90)	135			
07D680K	40	56	7.3	68(61-75)	*135			
07D560K	35	45	6.2	56(50-62)	*110			
*07D470K	30	38	5.0	47(42-52)	*93			
07D390K	25	31	4.2	39(35-43)	*77			
07D330K	20	26	3.5	33(30-36)	*65			
07D270K	17	22	2.8	27(24-30)	*53			
07D220K	14	18	2.4	22(20-24)	*43			
07D180K	11	14	2.1	18(15-21)	*38			

Note: 1、* Stand for commonly used models

2、Varistor voltage is measured at 0.1 mA for 05D, and at 1 mA for 07D, 10D, 14D, 20D, respectively.

3、Operating Temperature Range: $-40^{\circ}\text{C} \sim +85^{\circ}\text{C}$

Storage Temperature Range: $-40^{\circ}\text{C} \sim +125^{\circ}\text{C}$