

RECOMMENDED PCB LAYOUT  
TOLERANCE: ±0.05mm

DIM. B (mm)	0.60-0.80	0.70	UT12113-11602-7H
DIM. A (mm)	1.20	1.30	UT12113-11601-7H
			P/N

**Foxconn®**  
FOXCONN INTERCONNECT TECHNOLOGY LIMITED

CLASS: CONFIDENTIAL DSECRET ■ GENERAL  
TITLE: USB TYPE C;SMT;CH=1.60mm CUSTOMER DRAWING

APPD: Simon Szu  
CHKD: Allen cheng

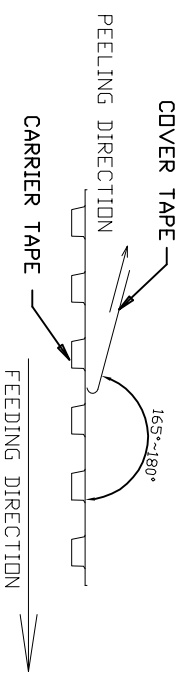
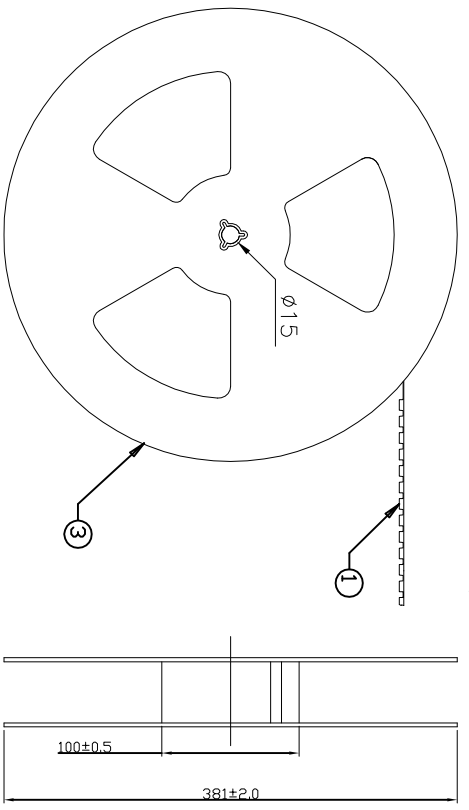
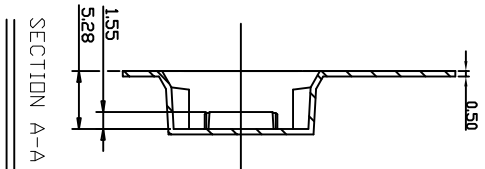
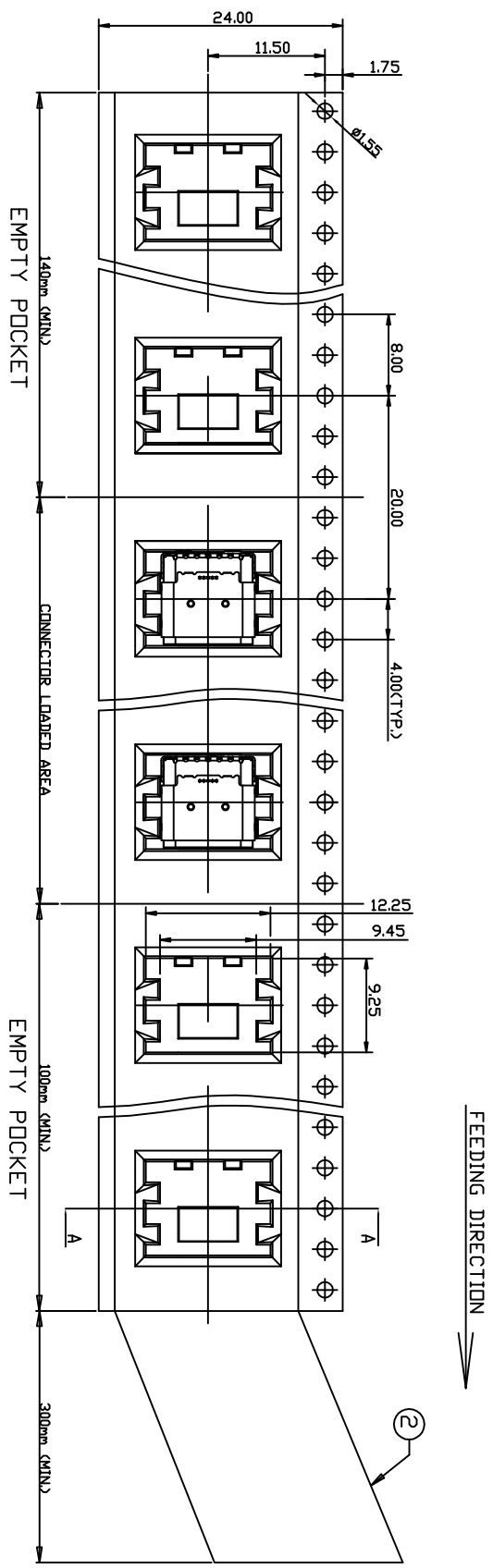
NAME (INTENDED USE): USB TYPE C;SMT;CH=1.60mm  
PART NO. (INTENDED USE): UT1211\*-1160\*-7H

X ± 0.30	X ±	UNITS	mm
X ± 0.25	X ±	MAT'L	
XXX ± 0.15	.XX ±	FINISH	
.XXX ± 0.10	.XXX ±	Q'TY	

THESE DRAWINGS AND SPECIFICATIONS ARE THE PROPERTY OF FOXCONN INTERCONNECT TECHNOLOGY LIMITED. AND SHALL NOT BE REPRODUCED, COPIED OR USED IN ANY MANNER WITHOUT THE PRIOR WRITTEN PERMISSION OF FOXCONN INTERCONNECT TECHNOLOGY LIMITED.

DRAW: Jaden Chen 02/10/15  
SCALE: 1:1  
SHEET: 2/3  
REV. C

REV.	ECN NO.	APPD.



- NOTES:
1. 10 POCKETS HOLE PITCH CUMULATIVE TOLERANCE  $\pm 0.20\text{mm}$ .
  2. NUMBER OF CONNECTORS : 800 PCS/REEL.
  3. COVER TAPE PEELING STRENGTH : 0.1 KGf MAX. AT 300mm/min.

③	REEL	POLYSTYRENE	
②	COVER TAPE	POLYESTER	
①	CARRIER TAPE	POLYSTYRENE	
ITEM	DESCRIPTION	MATERIAL	REMARK

X $\pm$ 0.30	X $\pm$	UNITS	NAME(INTENDED USE)	<b>FOXCONN®</b> FOXCONN INTERCONNECT TECHNOLOGY LIMITED
X $\pm$ 0.25	.X $\pm$	MAT'L	USB TYPE C;SMT;CH=1.60mm	
XX $\pm$ 0.15	.XX $\pm$		PART NO.(INTENDED USE) UT1211*-1160*-7H	
.XXX $\pm$ 0.10	.XXX $\pm$	FINISH	APPD: Simon Szu	
THESE DRAWINGS AND SPECIFICATIONS ARE THE PROPERTY OF FOXCONN INTERCONNECT TECHNOLOGY LIMITED,AND SHALL NOT BE REPRODUCED, COPIED OR USED IN ANY MANNER WITHOUT THE PRIOR WRITTEN PERMISSION OF FOXCONN INTERCONNECT TECHNOLOGY LIMITED.				CLASS: CONFIDENTIAL DSECRET ■ GENERAL
Q'TY	CHKD: Allen cheng	DRAW: Jaden Chen 02/10'15	TITLE: USB TYPE C;SMT;CH=1.60mm CUSTOMER DRAWING	DWG NO.: 327-0000-3074
			SCALE	SHEET
			1:2	3/3
				REV. C