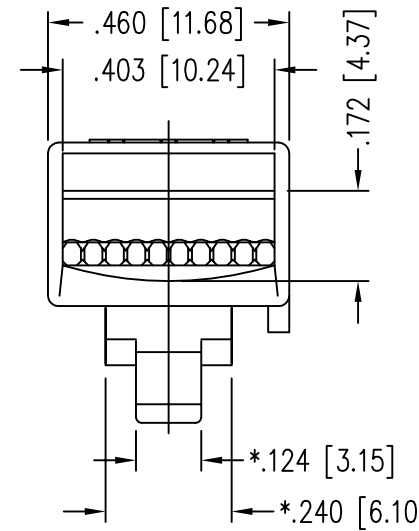
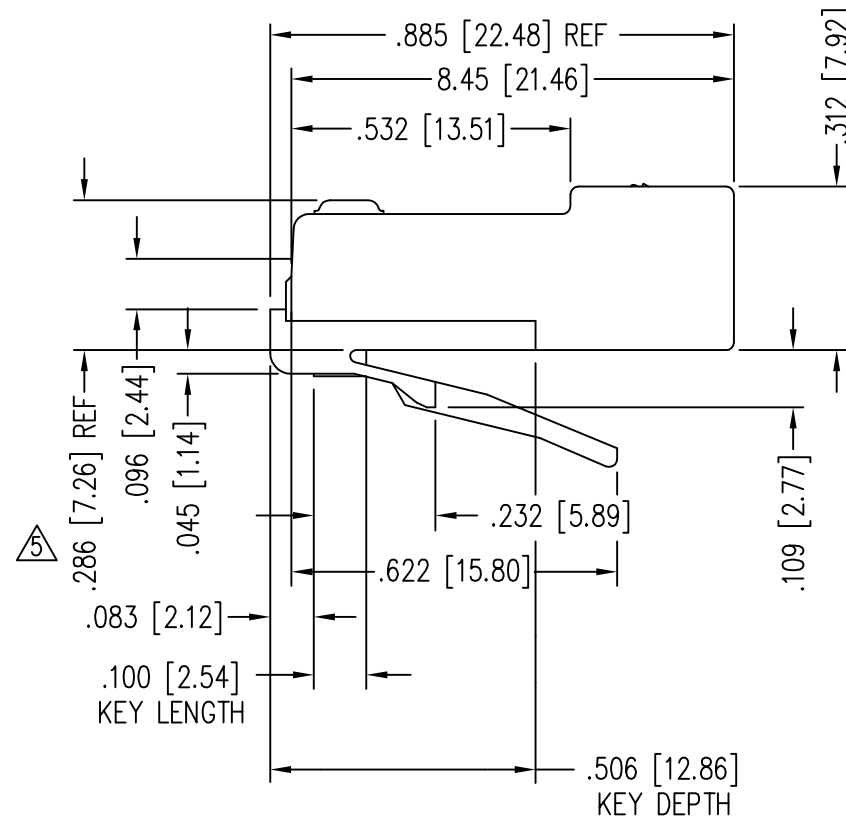
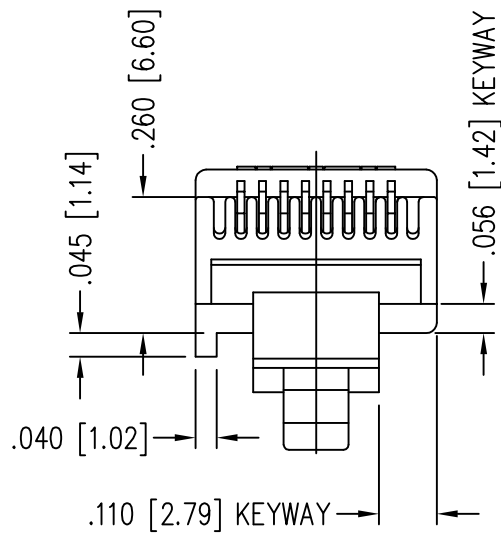
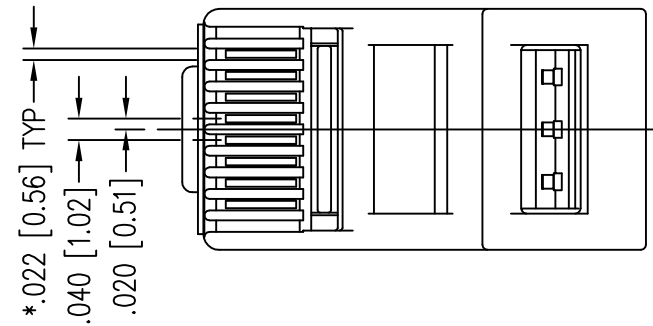


2

1

| DATE | REV | ECN | APP'D. BY |
|---------|-----|-------|-----------|
| 6/4/07 | B3 | 8083 | JM |
| 5/22/12 | B4 | 9473 | SMN |
| 4-1-14 | B5 | 9977 | TRM |
| 1-5-15 | B6 | 10168 | TRM |

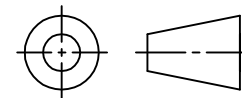


NOTES:

- 1- MATERIALS:
PLUG BODY: POLYCARBONATE, UL 94-V0 , CLEAR
CONTACTS: PHOSPHOR BRONZE, SELECTIVE GOLD PLATING
- 2- CONTACTS TERMINATE SOLID OR STRANDED CONDUCTORS UP TO .037 [.940] OUTSIDE DIAMETER OF INSULATION.
- 3- FOR PRODUCT SPECIFICATION SEE PRO26-01.
- 4- DIMENSIONS AND TOLERANCES COMPLY WITH TIA-1096 STANDARD.
- △ TERMINATED PLUG HEIGHT: .237 [6.02] ±.005 [0.13]

| | |
|--------------------------------|--------------------|
| 50 MICRO-INCHES [1.27um] | 940-SP-300810R-RMK |
| CONTACT PLATING IN MATING AREA | PART NUMBER |

THIRD ANGLE PROJECTION



1118 Susquehanna Trail South
Glen Rock, PA 17327-9199
(717) 235-7512

<http://www.stewartconnector.com>

DO NOT SCALE DRAWING
DRAWING IS SUBJECT TO
CHANGE WITHOUT NOTICE

TITLE: 8 CONDUCTOR / 10 POSITION LINE CORD MODULE
WITH RADIAL BACK; RMK KEY OPTION; COLOR : CLEAR

DIMENSIONS: INCHES [METRIC]
UNLESS OTHERWISE SPECIFIED
TOLERANCES ARE ±.005 [0.13]
ANGLES ARE ± 1°

THIS DRAWING AND THE SUBJECT MATTER SHOWN THEREON ARE
CONFIDENTIAL AND THE PROPRIETARY PROPERTY OF STEWART CONNECTOR
AND SHALL NOT BE REPRODUCED, COPIED, OR USED IN ANY MANNER WITHOUT
PRIOR WRITTEN CONSENT OF STEWART CONNECTOR. THIS PRODUCT
MAY BE PROTECTED BY ONE OR MORE OF THE FOLLOWING US PATENTS:
5628647 6402559 6409535 6524128
7753717 8033863
OTHER PATENTS MAY BE PENDING.

| | | | |
|----------|----------|------|---------|
| DRN BY: | JAF | DATE | 5-27-05 |
| APPD BY: | RGC | DATE | 5-31-05 |
| DWG NO. | CT300244 | REV. | B6 |

SHEET NO. 1 OF 1



REV. 7/3/03

2

1

AutoCAD