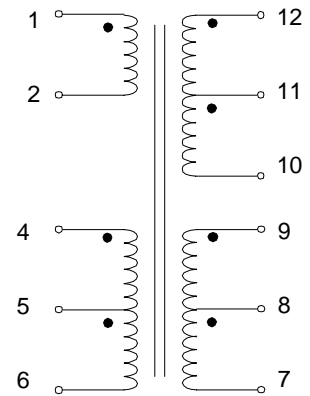
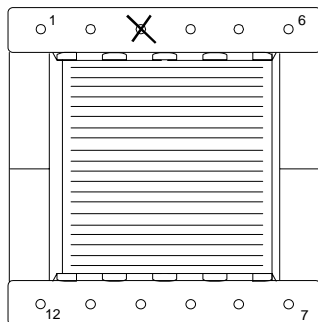
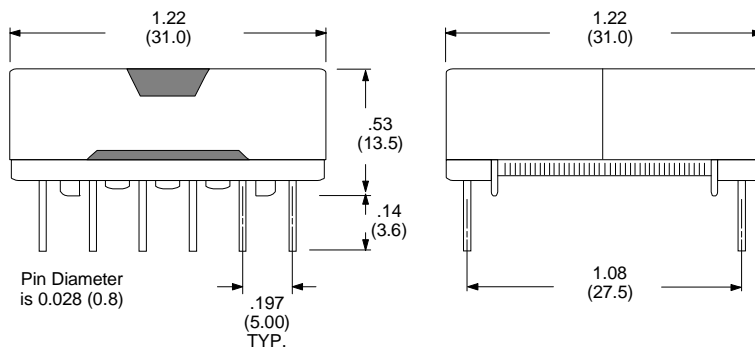


Turns Ratio $\pm 1\%$ 1 : 1.45 : 0.818 : 0.818 : 1.45 : 0.818 : 1.45 (1-2) : (4-5) : (5-6) : (8-7) : (9-8) : (11:10) : (12-11)				
Parameter	Min.	Typ.	Max.	Units
Inductance Pins (1-2)		9.30		μH
DC Resistance Pins 1-2		200		$\text{m}\Omega$
DC Resistance Pins 4-5		174		$\text{m}\Omega$
DC Resistance Pins 5-6		66.8		$\text{m}\Omega$
DC Resistance Pins 7-8		100		$\text{m}\Omega$
DC Resistance Pins 9-8		112		$\text{m}\Omega$
DC Resistance Pins 10-11		105		$\text{m}\Omega$
DC Resistance Pins 11-12		118		$\text{m}\Omega$

Schematic Diagram



Materials used in construction of this component meet or exceed UL Class B and can be operated up to 130°C



Pin #3 removed

Dimensions in Inches (mm)

RHOMBUS P/N: T-1398	
CUST P/N:	NAME:
DATE: 8/7/01	SHEET: