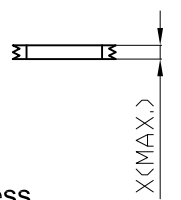


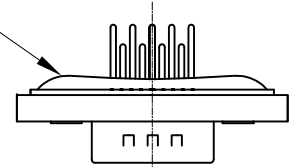
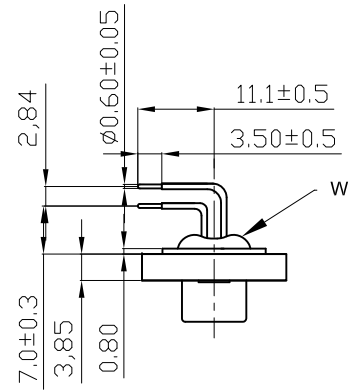
1 2 3 4 5 6 7

A



Panel Thickness
Screw L=5.0 For Panel Thickness Under 1.2mm
Screw L=6.0 For Panel Thickness Between 1.2-2.0mm

B

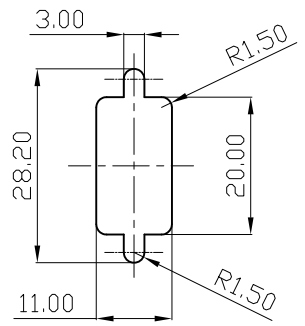


NOTES:

MATERIAL

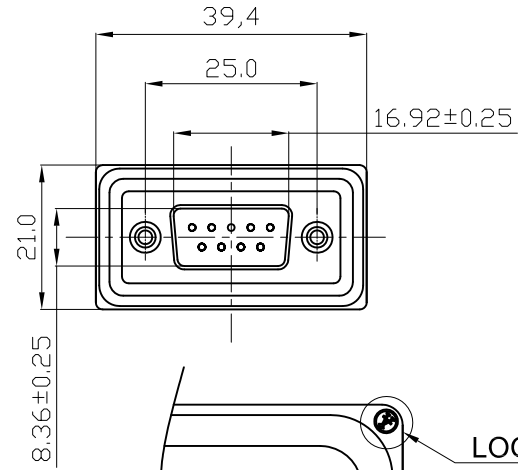
- 1. Insulator Material: Black, NYLON+G/F
- 2. Contact Material : Copper Alloy
- 3. Plating : Gold Plating
- 4. Waterproof Rate: IP67
- 5. Do Mating Test After Glued
- 6. LOGO

C

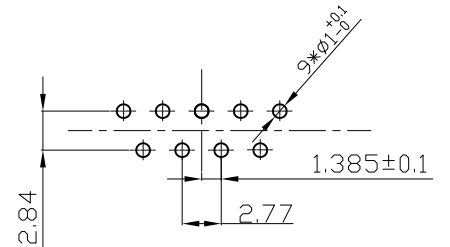
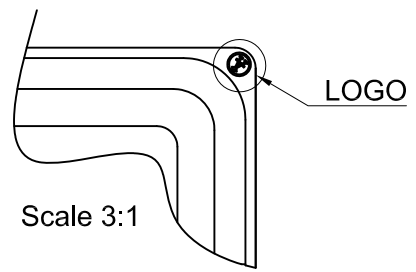
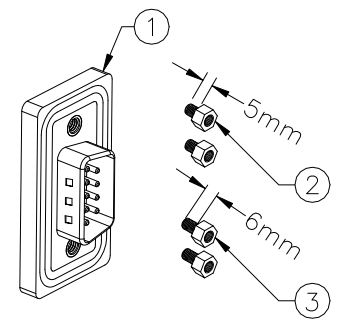


Recommended Panel Cut-Out

D




E



9 Pin Male Connector
PCB Pin Layout
Scale 2:1

F

RoHS compliant

Scale	1:1						Date	Name	Customer-No.
TOLERANCE							Drawn	17.12.2008	JACK
X.X	±0.25						Approved	17.12.2008	Hellwig
X.XX	±0.10								
X.XXX	±0.05								
DIM	TOL								Drawing-No.
ANGLE	±1°								
X.X°	±X°	①	Drawn	17.12.2008	JACK			ASSMANN WSW-No.	
Angle	TOL	Id.	Modification	Date	Name			ASS 3245 CO	rev01
									Replace
									Sheet

G

H

1 2 3 4 5 6 7