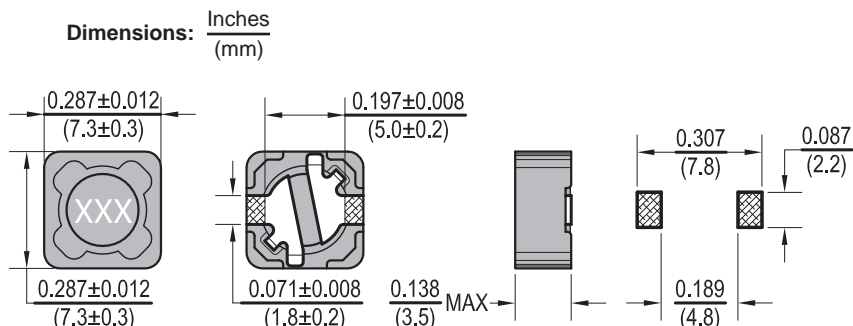




Power Chip Shielded Inductors PCSDR73



Allied Part Number	Inductance (μh)	Tolerance (%)	Test Freq. KHz, 0.1V	DCR (Ω)	I rms (A)	I sat (A)
PCSDR73-R33M-RC	0.33	20	100	0.0088	6.243	14.400
PCSDR73-R56M-RC	0.56	20	100	0.0106	5.686	10.286
PCSDR73-1R0M-RC	1.0	20	100	0.0122	5.281	8.000
PCSDR73-1R5M-RC	1.5	20	100	0.0156	4.678	6.545
PCSDR73-2R2M-RC	2.2	20	100	0.0198	4.152	5.538
PCSDR73-2R7M-RC	2.7	20	100	0.0254	3.663	4.800
PCSDR73-3R3M-RC	3.3	20	100	0.0311	3.314	4.235
PCSDR73-4R7M-RC	4.7	20	100	0.0356	3.095	3.789
PCSDR73-5R6M-RC	5.6	20	100	0.0439	2.788	3.429
PCSDR73-6R8M-RC	6.8	20	100	0.0522	2.557	3.130
PCSDR73-8R2M-RC	8.2	20	100	0.0710	2.192	2.667
PCSDR73-100M-RC	10	20	100	0.0787	2.083	2.483
PCSDR73-120M-RC	12	20	100	0.0900	1.948	2.323
PCSDR73-150M-RC	15	20	100	0.1013	1.836	2.057
PCSDR73-180M-RC	18	20	100	0.1148	1.724	1.846
PCSDR73-220M-RC	22	20	100	0.1284	1.631	1.674
PCSDR73-270M-RC	27	20	100	0.1638	1.444	1.532
PCSDR73-330M-RC	33	20	100	0.1992	1.309	1.358
PCSDR73-390M-RC	39	20	100	0.2442	1.182	1.263
PCSDR73-470M-RC	47	20	100	0.2892	1.087	1.143
PCSDR73-560M-RC	56	20	100	0.3594	0.975	1.075
PCSDR73-680M-RC	68	20	100	0.4296	0.891	0.960
PCSDR73-820M-RC	82	20	100	0.4608	0.861	0.889
PCSDR73-101M-RC	100	20	100	0.6324	0.735	0.791
PCSDR73-121M-RC	120	20	100	0.8268	0.643	0.727
PCSDR73-151M-RC	150	20	100	1.0212	0.578	0.649
PCSDR73-181M-RC	180	20	100	1.1406	0.547	0.595
PCSDR73-221M-RC	220	20	100	1.2600	0.521	0.533
PCSDR73-271M-RC	270	20	100	1.5840	0.464	0.483
PCSDR73-331M-RC	330	20	100	1.9080	0.423	0.442
PCSDR73-391M-RC	390	20	100	2.3700	0.380	0.402
PCSDR73-471M-RC	470	20	100	2.8320	0.347	0.369
PCSDR73-561M-RC	560	20	100	3.4980	0.312	0.338
PCSDR73-681M-RC	680	20	100	4.1640	0.286	0.306
PCSDR73-821M-RC	820	20	100	4.7160	0.269	0.278
PCSDR73-102M-RC	1000	20	100	5.2080	0.256	0.253
PCSDR73-122M-RC	1200	20	100	7.8916	0.208	0.230

All specifications subject to change without notice.

Features

- Magnetically Shielded
- High saturation current as high as 14A
- Expanded operating temp range
- Low DC Resistance
- High Energy Storage
- Low Energy Loss
- Suitable for pick and place

Electrical

Inductance Range: .33μh to 1200μh

Tolerance: 20% entire inductance range
Available in tighter tolerances

Test Frequency: 1KHz, 0.1V

Operating Temp: -55°C ~ +125°C

Storage Temp: -40°C ~ +85°C

Irms: Current at which the $\Delta T=40^\circ\text{C}$

Isat: Current at which the inductance drops 35% from initial value

Resistance to Soldering Heat

Pre-Heat 150°C, 1 Min.

Solder Composition: Sn/Ag3.0/Cu0.5

Solder Temp: 260°C +/- 5°C

Immersion time: 10 sec. +/- 1 sec.

Test Equipment

(L): HP 4284A LCR meter or equivalent

(RDC): HP 4338B Milliohm meter or equivalent

(IDC): 3260B WK & DC Bias 3265B WK

Physical

Packaging: 1000 pieces per 13 inch reel.

Marking: EIA Inductance Code.

Schematic

