

**MATERIALS:**  
 Shell: Brass, Chrome plated  
 Insert: PPS, UL-94V-0 rated  
 Contacts: Brass, Gold plated

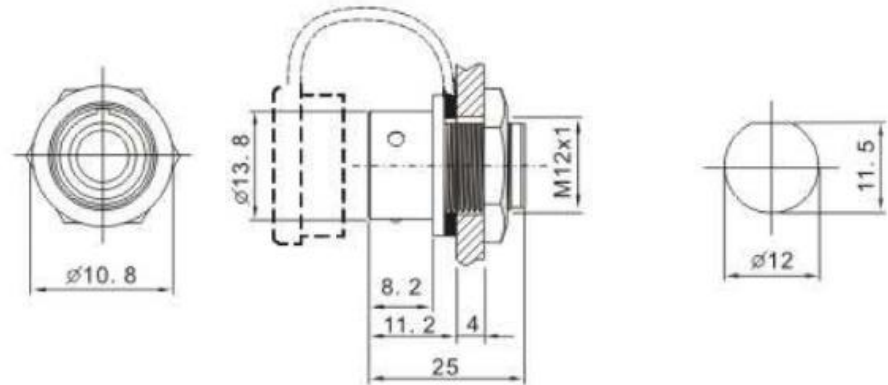
**MECHANICAL SPECIFICATIONS:**  
 Coupling type: Push - Pull  
 Contact termination: Solder  
 Mating cycles: >500

**ENVIRONMENTAL SPECIFICATIONS:**  
 IP rating: IP67  
 Temperature range: -40°C ~ +85°C

RoHS  
 COMPLIANT

**ORDERING CODE:**  
 PD-SF1212-SX

Number of contacts (from chart)



Number of contact	2	3	4	5	6	7	9
Male contact face view							
Rated current (A)	13A	13A	5A	5A	5A	5A	3A
Contact diameter	∅ 1.6X2	∅ 1.6X3	∅ 1X4	∅ 1X5	∅ 1X6	∅ 1X7	∅ 0.7X9
Rated voltage (AC.V)	250V	250V	200V	180V	125V	125V	125V
Test voltage(AC.V) 1 min	1500V	1500V	1500V	1000V	1000V	1000V	1000V
Contact resistance mΩ	2	2	5	5	5	5	10
Wire size mm <sup>2</sup> /AWG	≤2/14	≤2/14	≤0.785/18	≤0.785/18	≤0.785/18	≤0.785/18	≤0.785/18

**TOLERANCE**  
 UNLESS OTHERWISE SPECIFIED  
 X ± 1  
 X.X ± 0.4  
 X.XX ± 0.13

**Power Dynamics, Inc.**  
 Phone: 973 560-0019 Whippany, New Jersey Fax: 973 560-0076  
 PART: METAL IP67 WATERPROOF FEMALE FRONT MOUNT  
 PUSH - PULL TYPE; 2 - 9 CONTACTS; SOLDER TERMINATION

DRAWN BY: PB DATE: 10/31/17  
 CHECK BY: DATE:  
 APPR BY: DATE:

PART #: **PD-SF1212-SX** SHEET 1 of 1  
 SIZE: A ALL DIMENSIONS FOR REFERENCE ONLY  
 SCALE: NTS DIMENSIONS ARE IN MILLIMETERS REV:

REV	DATE	CHANGE	CHK	CHK	APPR