



Photoelectric sensors  
W250-2, Photoelectric retro-reflective sensor,  
Standard optics

WL250-2F2431



**Type** > [WL250-2F2431](#)  
**Part No.** > [6044702](#)



*Illustration may differ*

**At a glance**

- Versions for 10 - 30 V DC or 24 - 240 V DC/ 24 – 240 V AC voltage supply in compact design
- Mounting bracket and P250 reflector included in delivery
- Visible red Bright Light LED
- Potentiometer sensitivity adjustment with indicator
- Operating mode (light/dark) selectable via control wire
- Cable or rotatable M12 connector

**Your benefits**

- Visible red Bright Light LED for simpler alignment of the sensors
- Universal AC/DC voltage variants provide high performance and increased flexibility in environments with limited space
- Mounting kit reduces installation time
- Simple power control for individual application adjustments via potentiometer
- Operating mode (light/dark) is selectable via a control cable to reduce the number of device variants
- Mounting compatibility - DC devices and DC/AC devices available in same design
- Polarizing filter ensures reliable detection, even with shiny targets



**Features**

Sensor/detection principle:	Photoelectric retro-reflective sensor, Dual lens
Dimensions (W x H x D):	20 mm x 65 mm x 43.9 mm
Housing design (light emission):	Rectangular
Sensing range max.::	0.01 m ... 12 m, 0.01 m ... 15 m <sup>1) 2)</sup>
Sensing range::	0.01 m ... 11 m, 0.01 m ... 13 m <sup>3) 4)</sup>
Type of light:	Visible red light
Light source:	BrightLight LED <sup>5)</sup>
Angle of dispersion:	Ca. 2 °
Special features:	Pin 2 not assigned
Adjustment:	Potentiometer, 2 turns
Light spot size (distance):	Ø 260 mm (8 m)

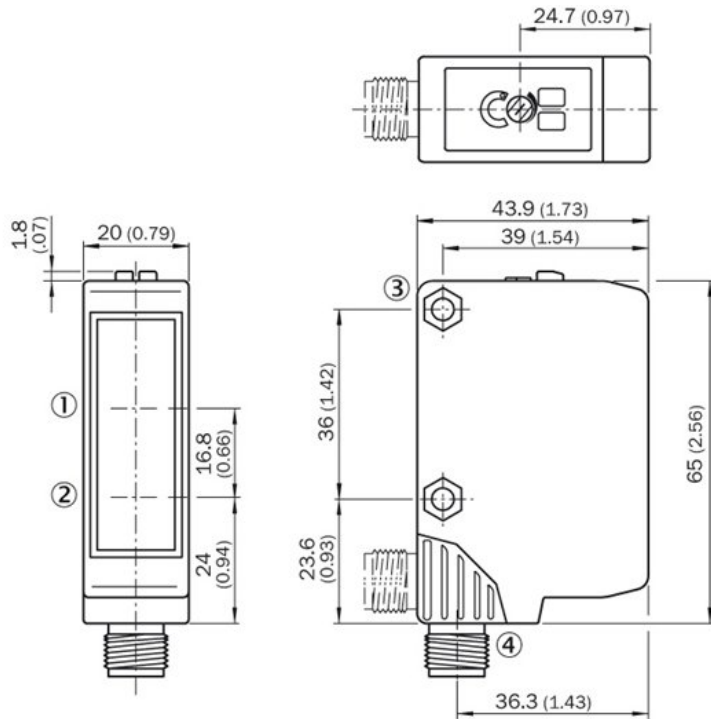
1) 3) PL80A 2) 4) P250 <sup>5)</sup> Average service life of 100,000 h at T<sub>A</sub> = +25 °C <sup>6)</sup> With position indicator

**Mechanics/electronics**

Supply voltage:	10 V DC ... 30 V DC <sup>1)</sup>
Ripple:	≤ 5 Vpp <sup>2)</sup>
Power consumption:	≤ 20 mA <sup>3)</sup>
Output type:	PNP, open collector
Switching mode:	Light switching
Output current I <sub>max</sub> :	≤ 100 mA <sup>4)</sup>
Response time:	≤ 0.5 ms <sup>4)</sup>
Switching frequency:	1,000 Hz <sup>5)</sup>
Connection type:	M12, 4-pin male connector <sup>6)</sup>
Circuit protection:::	A, B, C, D <sup>7) 8) 9) 10)</sup>
Protection class:	III
Weight:	40 g
Polarisation filter:	✓
Special device:	✓
Optics material:	PMMA
Enclosure rating:	IP 67
Items supplied:	BEF-W250 mounting bracket, Reflector P250
EMC:	EN 60947-5-2 <sup>11)</sup>
Ambient operating temperature:	-25 °C ... +55 °C
Ambient storage temperature:	-40 °C ... +70 °C
UL File No.:	NRKH2.E300503 & NRKH8.E300503
Housing material:	ABS, Plastic

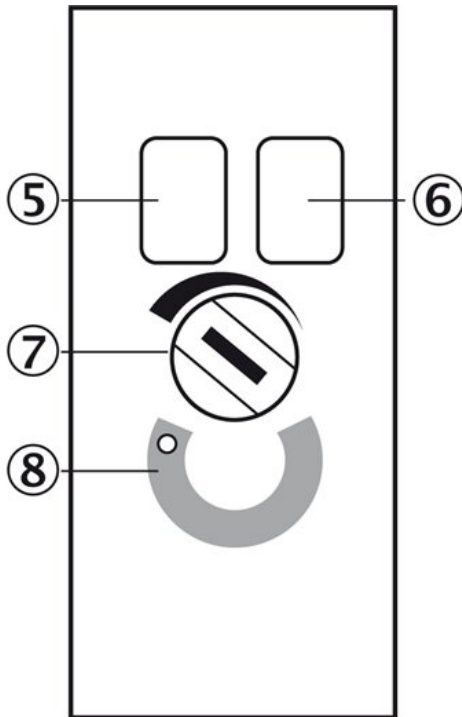
<sup>1)</sup> Limit values, operation in short-circuit protected network max. 8 A <sup>2)</sup> May not exceed or fall short of  $V_S$  tolerances <sup>3)</sup> Without load <sup>4)</sup> Signal transit time with resistive load <sup>5)</sup> With light/dark ratio 1:1 <sup>6)</sup> 90 ° rotatable <sup>7)</sup> A =  $V_S$  connections reverse-polarity protected <sup>8)</sup> B = inputs and output reverse-polarity protected <sup>9)</sup> C = interference suppression <sup>10)</sup> D = outputs overcurrent and short-circuit protected <sup>11)</sup> The AC/DC devices meet the interference suppression requirements for industrial use (interference suppression class A). When used in residential areas it can cause interference.

## Dimensional drawing



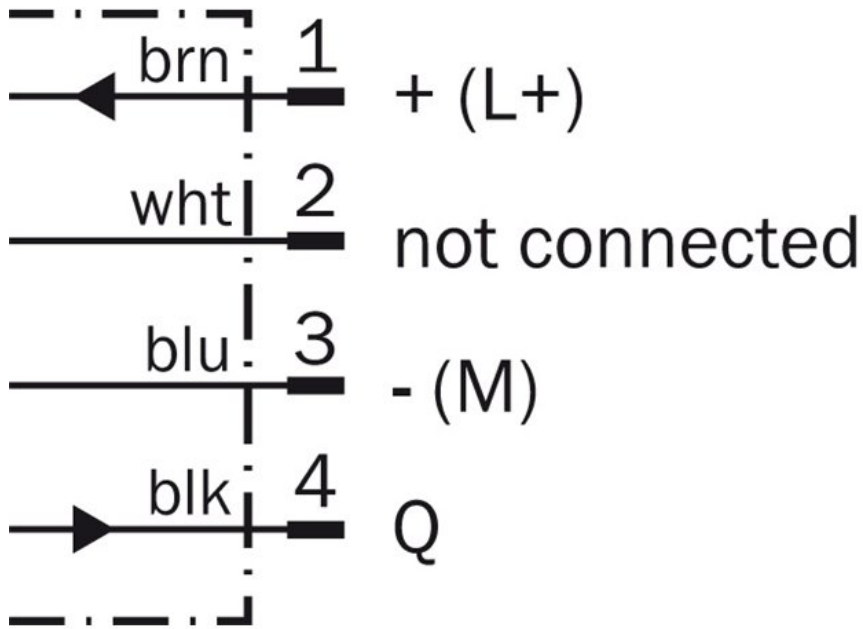
- |1| Reception axis
- |2| Axis of sender
- |3| Mounting hole  $\varnothing$  4.2 mm, for M4 hexagon nut on both sides
- |4| Connector M12, 4-pin: Connector position rotatable by 90° (V>H); V: Vertikal final position ; H: Horizontal final position, can be locked with slider

## Adjustments possible

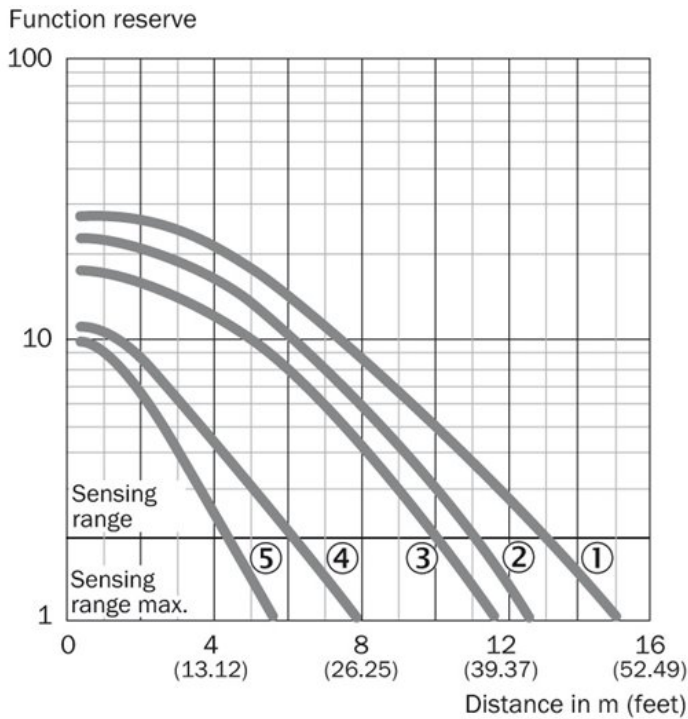


- |5| LED indicator green: Stability indicator
- |6| Status indicator LED, yellow: Status of received light beam
- |7| Sensitivity adjustment: poti
- |8| Position indicator for sensitivity setting (270°)

Connection diagram

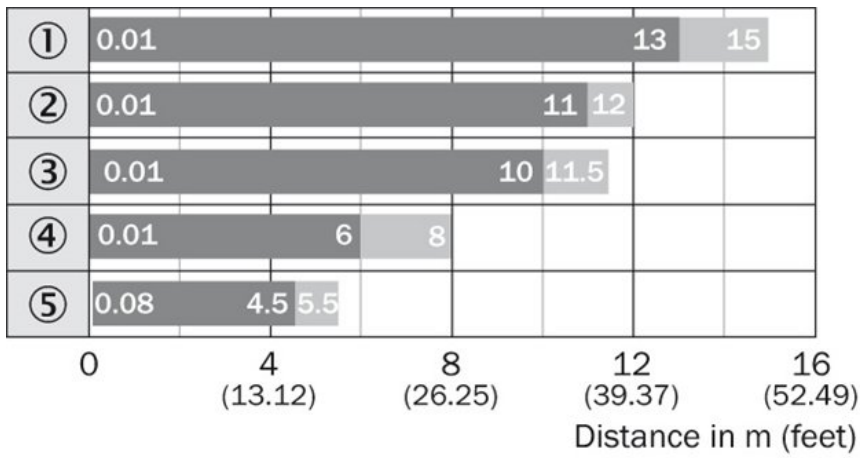


Characteristic curve



- [1] Reflector type PL80A, C110A
- [2] Reflector type P205
- [3] Reflector type PL50A, PL40A, PL30A, PL31A
- [4] Reflector type PL20A
- [5] Reflective tape Diamond Grade  
(100 mm x 100 mm/3.94 inch x 3.94 inch)

**Sensing range diagram**



- |1| Reflector type PL80A, C110A
- |2| Reflector type P205
- |3| Reflector type PL50A, PL40A, PL30A, PL31A
- |4| Reflector type PL20A
- |5| Reflective tape Diamond Grade  
(100 mm x 100 mm/3.94 inch x 3.94 inch)

■ Sensing range      ■ Sensing range max.

**Australia**

Phone +61 3 9457 0600  
1800 33 48 02 – tollfree  
E-Mail sales@sick.com.au

**Belgium/Luxembourg**

Phone +32 (0)2 466 55 66  
E-Mail info@sick.be

**Brasil**

Phone +55 11 3215-4900  
E-Mail marketing@sick.com.br

**Canada**

Phone +1 905 771 14 44  
E-Mail information@sick.com

**Česká republika**

Phone +420 2 57 91 18 50  
E-Mail sick@sick.cz

**China**

Phone +86 4000 121 000  
E-Mail info.china@sick.net.cn  
Phone +852-2153 6300  
E-Mail ghk@sick.com.hk

**Danmark**

Phone +45 45 82 64 00  
E-Mail sick@sick.dk

**Deutschland**

Phone +49 211 5301-301  
E-Mail info@sick.de

**España**

Phone +34 93 480 31 00  
E-Mail info@sick.es

**France**

Phone +33 1 64 62 35 00  
E-Mail info@sick.fr

**Great Britain**

Phone +44 (0)1727 831121  
E-Mail info@sick.co.uk

**India**

Phone +91-22-4033 8333  
E-Mail info@sick-india.com

**Israel**

Phone +972-4-6881000  
E-Mail info@sick-sensors.com

**Italia**

Phone +39 02 27 43 41  
E-Mail info@sick.it

**Japan**

Phone +81 (0)3 5309 2112  
E-Mail support@sick.jp

**Magyarország**

Phone +36 1 371 2680  
E-Mail office@sick.hu

**Nederland**

Phone +31 (0)30 229 25 44  
E-Mail info@sick.nl

**Norge**

Phone +47 67 81 50 00  
E-Mail sick@sick.no

**Österreich**

Phone +43 (0)22 36 62 28 8-0  
E-Mail office@sick.at

**Polska**

Phone +48 22 837 40 50  
E-Mail info@sick.pl

**România**

Phone +40 356 171 120  
E-Mail office@sick.ro

**Russia**

Phone +7-495-775-05-30  
E-Mail info@sick.ru

**Schweiz**

Phone +41 41 619 29 39  
E-Mail contact@sick.ch

**Singapore**

Phone +65 6744 3732  
E-Mail sales.gsg@sick.com

**Slovenija**

Phone +386 (0)1-47 69 990  
E-Mail office@sick.si

**South Africa**

Phone +27 11 472 3733  
E-Mail info@sickautomation.co.za

**South Korea**

Phone +82 2 786 6321/4  
E-Mail info@sickkorea.net

**Suomi**

Phone +358-9-25 15 800  
E-Mail sick@sick.fi

**Sverige**

Phone +46 10 110 10 00  
E-Mail info@sick.se

**Taiwan**

Phone +886 2 2375-6288  
E-Mail sales@sick.com.tw

**Türkiye**

Phone +90 (216) 528 50 00  
E-Mail info@sick.com.tr

**United Arab Emirates**

Phone +971 (0) 4 88 65 878  
E-Mail info@sick.ae

**USA/México**

Phone +1(952) 941-6780  
1 (800) 325-7425 – tollfree  
E-Mail info@sickusa.com

More representatives and agencies  
at [www.sick.com](http://www.sick.com)