

PLEASE CHECK WWW.MOLEX.COM FOR LATEST PART INFORMATION

Part Number: [0393740912](#)
Status: **Active**
Description: 7.50mm (.295") Beau™ Eurostyle™ Pluggable PCB Terminal Block, 270° Wire Entry, 12 Circuits

Documents:

[Drawing \(PDF\)](#) [RoHS Certificate of Compliance \(PDF\)](#)

Agency Certification

UL E48521

General

| | |
|-----------------------------|-----------------------|
| Product Family | Terminal Blocks |
| Series | 39374 |
| Application | Wire-to-Board |
| Component Type | Plug |
| Product Literature Order No | USA-261 |
| Product Name | Eurostyle™ Pluggable |
| Type | Euro Block |

Physical

| | |
|-------------------------------|--|
| Circuits (Loaded) | 12 |
| Entry Angle | 270° Angle |
| Flammability | 94V-0 |
| Lock to Mating Part | None |
| Number of Rows | 1 |
| Orientation | Vertical |
| PCB Retention | N/A |
| Panel Mount | No |
| Pitch - Mating Interface (in) | 0.295 In |
| Pitch - Mating Interface (mm) | 7.50 mm |
| Polarized to Mating Part | Yes |
| Stackable | Yes |
| Temperature Range - Operating | 110°C |
| Wire Size AWG | 12, 14, 16, 18, 20, 22, 24, 26, 28, 30 |
| Wire Size mm ² | 0.05 - 2.50 |

Electrical

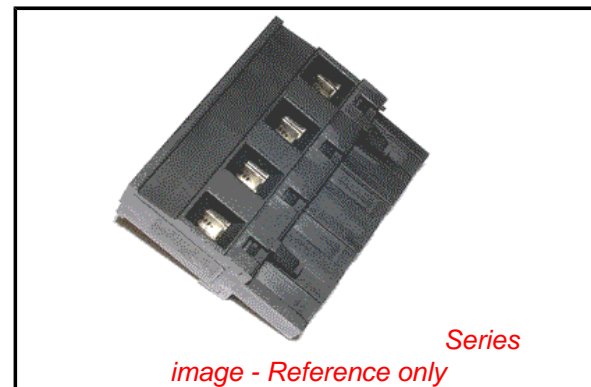
| | |
|-------------------------------|------|
| Current - Maximum per Contact | 15A |
| Voltage - Maximum | 300V |

Material Info

| | |
|-----------------|--------|
| Old Part Number | 370912 |
|-----------------|--------|

Reference - Drawing Numbers

| | |
|---------------|--------------|
| Sales Drawing | SD-39374-002 |
|---------------|--------------|



EU RoHS

**ELV and RoHS
Compliant**
REACH SVHC
 Not Reviewed
**Halogen-Free
Status**
 Not Reviewed

China RoHS



**Need more information on product
environmental compliance?**

Email productcompliance@molex.com
 For a multiple part number RoHS Certificate of
 Compliance, [click here](#)

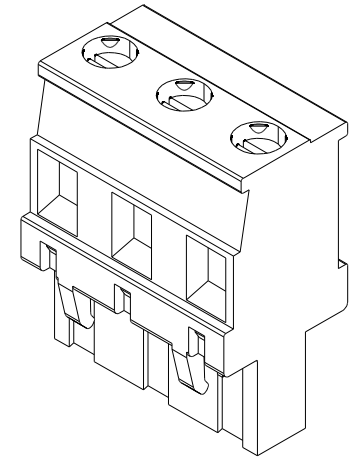
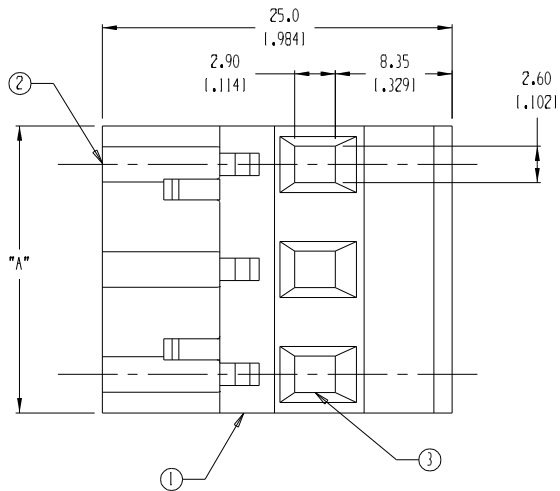
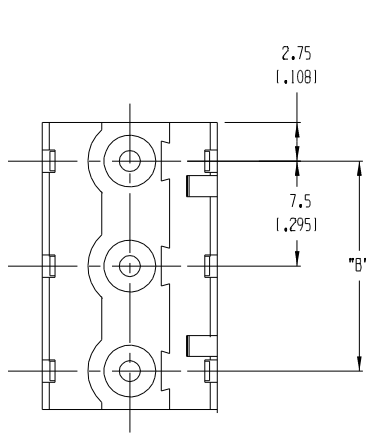
Please visit the [Contact Us](#) section for any
 non-product compliance questions.

Search Parts in this Series

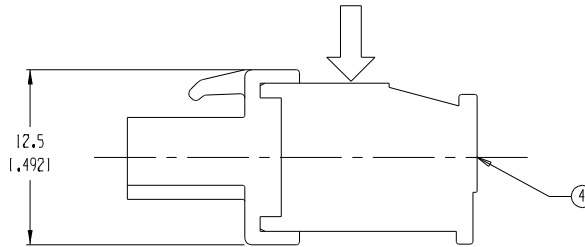
[39374Series](#)

Mates With

39372 & 39373 Headers



| MATERIAL NUMBER | NUMBER OF CIRCUITS "XX" | A | | B | |
|-----------------|-------------------------|------|--------|-------|---------|
| 039374-0902 | 2 | 13.0 | 1.511 | 7.50 | 1.2951 |
| 039374-0903 | 3 | 20.5 | 10.811 | 15.00 | 1.5911 |
| 039374-0904 | 4 | 28.0 | 11.101 | 22.50 | 1.8861 |
| 039374-0905 | 5 | 35.5 | 11.401 | 30.00 | 1.1811 |
| 039374-0906 | 6 | 43.0 | 11.691 | 37.50 | 1.14761 |
| 039374-0907 | 7 | 50.5 | 11.991 | 45.00 | 1.17721 |
| 039374-0908 | 8 | 58.0 | 12.281 | 52.50 | 1.20671 |
| 039374-0909 | 9 | 65.5 | 12.581 | 60.00 | 1.23621 |
| 039374-0910 | 10 | 73.0 | 12.871 | 67.50 | 1.26571 |
| 039374-0911 | 11 | 80.5 | 13.171 | 75.00 | 1.29531 |
| 039374-0912 | 12 | 88.0 | 13.461 | 82.50 | 1.32481 |



- NOTES:
1. MATERIAL: SEE TABLE
 2. FINISHES: SEE TABLE
 3. PRODUCT SPECIFICATION: NOT REQUIRED
 4. PACKAGING: NOT REQUIRED
 5. MATES WITH: 7.5MM HEADER
 6. "XX" - REFERS TO THE NUMBER OF CIRCUIT POSITIONS

| 4 | XX | SCREW | COPPER ALLOY | NICKEL-PLATED |
|------|------|-------------|--------------|---------------|
| 3 | XX | CAGE CLAMP | COPPER ALLOY | NICKEL-PLATED |
| 2 | XX | TERMINAL | PHOS. BRONZE | TIN-PLATED |
| 1 | I | HOUSING | POLYAMIDE | BLACK |
| ITEM | QTY. | DESCRIPTION | MATERIAL | FINISH |

| | | | | | | | | |
|--|---|--|--------------------------------------|---------------------------------------|--|--|------------------------------|---------------------------|
| EC NO. 3846 DRWN: CY 09-03-04 CH: K APPR: | QUALITY SYMBOLS MAJOR CRITICAL SPC | GENERAL TOLERANCES: (UNLESS SPECIFIED) mm INCH | | SCALE 3:1 | DESIGN UNITS <input type="checkbox"/> mm <input checked="" type="checkbox"/> INCH | THIRD ANGLE PROJECTION | PROJECT NO. - DIMENSIONS: | SHT REV |
| | | 4 PLACES ±.0015 3 PLACES ±.038 ±.005 2 PLACES ±.13 ±.01 1 PLACE ±.3 | DRAWN BY & DATE W HOWARD 07/21/03 | CHECKED BY & DATE R. KEMP 07/23/03 | APPROVED BY & DATE P. WALTZ 07/23/03 | TITLE: 7.5MM VERT PLUG, FRONT WIRE ENTRY | MOLEX INCORPORATED | MATERIAL NO. SEE CHART |
| DRAFT WHERE APPLICABLE MUST REMAIN WITHIN DIMENSIONS | | THIS DRAWING CONTAINS INFORMATION THAT IS PROPRIETARY TO MOLEX INCORPORATED AND SHOULD NOT BE USED WITHOUT WRITTEN PERMISSION. | | | | | SIZE B | |