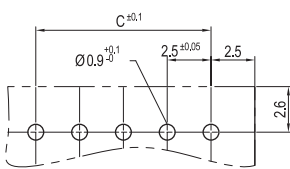
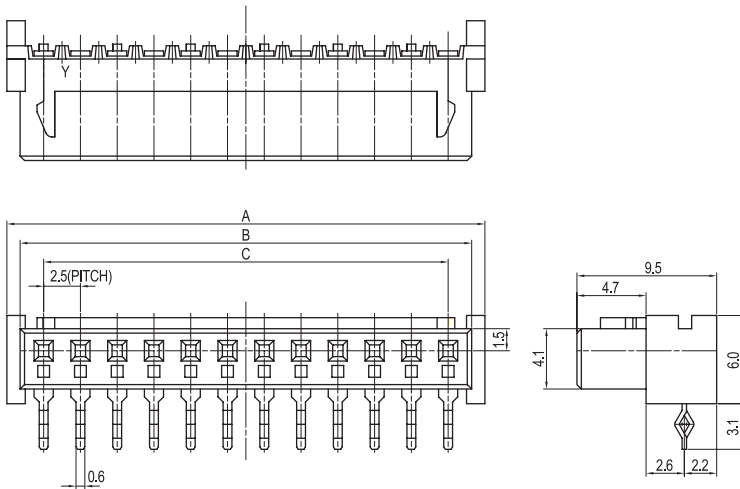
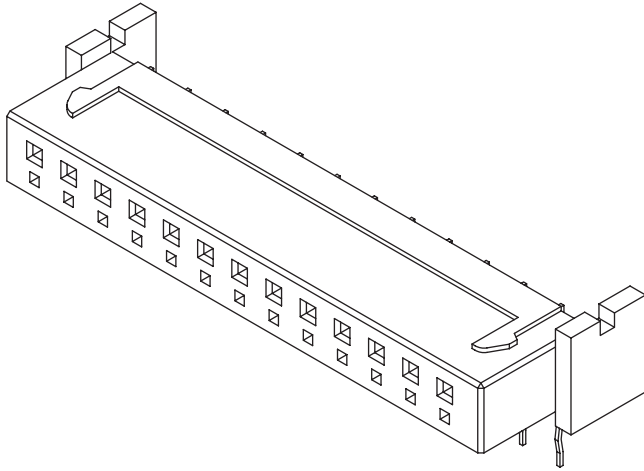


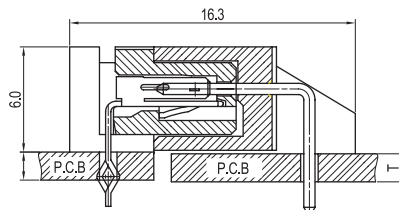
2.50mm (0.098") PITCH CONNECTOR

**Board-to-Board
Housing**

25043HR-NNP Series



P.C.B LAYOUT



Material

I/NO	DESCRIPTION	TITLE	MATERIAL
1	HOUSING	25043HR	PA66, UL94 V Grade
1	TERMINAL	25043TR	Phosphor Bronze, tin-plated

Available Pin

PARTS NO.	A	B	C
25043HR-03P	10.0	8.20	5.00
25043HR-04P	12.5	10.7	7.50
25043HR-05P	15.0	13.2	10.0
25043HR-06P	17.5	15.7	12.5
25043HR-07P	20.0	18.2	15.0
25043HR-08P	22.5	20.7	17.5
25043HR-09P	25.0	23.2	20.0
25043HR-10P	27.5	25.7	22.5
25043HR-11P	30.0	28.2	25.0
25043HR-12P	32.5	30.7	27.5
25043HR-13P	35.0	33.2	30.0
25043HR-14P	37.5	35.7	32.5
25043HR-15P	40.0	38.2	35.0

Specification

ITEM	SPEC
Voltage Rating	AC/DC 250V
Current Rating	AC/DC 3A
Operating Temperature	-25°C ~ +85°C
Contact Resistance	30mΩ MAX
Withstanding Voltage	AC500V/1min
Insulation Resistance	500MΩ MIN
Applicable Wire	-
Applicable P.C.B	1.2mm~1.6mm
Applicable FPC/FFC	-
Solder Height	-
Crimp Tensile Strength	-
UL FILE NO	-