

Product data sheet

Characteristics

D322NRB

Safety switch, general duty, fusible, 60A, 3 poles, 15 hp, 240 VAC, NEMA 3R, bolt-on provision, neutral factory installed

Product availability : Stock - Normally stocked in distribution facility



Price* : 441.00 USD



Main

Product	Single Throw Safety Switch
Duty Rating	General duty
Device application	Residential
Disconnect Type	Fusible disconnect switch
Factory Installed Neutral	Neutral (factory installed)
Phase	3 phase
Number of Poles	3
Current Rating	60 A
Voltage Rating	240 V AC
Enclosure Rating NEMA	NEMA 3R
Maximum Horse Power Rating	1.5 hp 120 V at AC 60 Hz for 1 phase conforming to NEC 240.6 3 hp 120 V at AC 60 Hz for 3 phase conforming to NEC 430.52 3 hp 240 V at AC 60 Hz for 1 phase conforming to NEC 240.6 7.5 hp 240 V at AC 60 Hz for 3 phase conforming to NEC 240.6 10 hp 240 V at AC 60 Hz for 1 phase conforming to NEC 430.52 15 hp 240 V at AC 60 Hz for 3 phase conforming to NEC 430.52

Complementary

Short Circuit Current Rating	100 kA maximum depending on fuse H, K or R
Fuse type	H, K or R
Mounting Type	Surface
Electrical Connection	Lugs
Wiring configuration	4-wire (3PH + G)
Wire Size	AWG 12...AWG 3 aluminium AWG 14...AWG 3 copper

* Price is "List Price" and may be subject to a trade discount – check with your local distributor or retailer for actual price.

Tightening torque	35 lbf.in (3.95 N.m) 0.00...0.01 in ² (2.08...5.26 mm ²) (AWG 14...AWG 10) 35 lbf.in (3.95 N.m) (AWG 14...AWG 10) 45 lbf.in (5.08 N.m) 0.01 in ² (8.37 mm ²) (AWG 8) 45 lbf.in (5.08 N.m) 0.02...0.03 in ² (12.3...21.12 mm ²) (AWG 6...AWG 4) 50 lbf.in (5.65 N.m) 0.04 in ² (26.67 mm ²) (AWG 3)
Depth	4.87 in (123.70 mm)
Width	7.45 in (189.23 mm)
Height	14.88 in (377.95 mm)
Net Weight	9.92 lb(US) (4.5 kg)

Environment

Certifications	UL listed file E2875
----------------	----------------------

Ordering and shipping details

Category	00106 - D & DU SW,NEMA3R, 30-200A
Discount Schedule	DE1A
GTIN	00785901461289
Nbr. of units in pkg.	1
Package weight(Lbs)	8.54 lb(US) (3.87 kg)
Returnability	Yes
Country of origin	US

Packing Units

Unit Type of Package 1	PCE
Package 1 Height	5.20 in (13.208 cm)
Package 1 width	7.80 in (19.812 cm)
Package 1 Length	16.30 in (41.402 cm)
Unit Type of Package 2	PAL
Number of Units in Package 2	120
Package 2 Weight	1056.00 lb(US) (478.993 kg)
Package 2 Height	46.00 in (116.84 cm)
Package 2 width	40.00 in (101.6 cm)
Package 2 Length	48.00 in (121.92 cm)

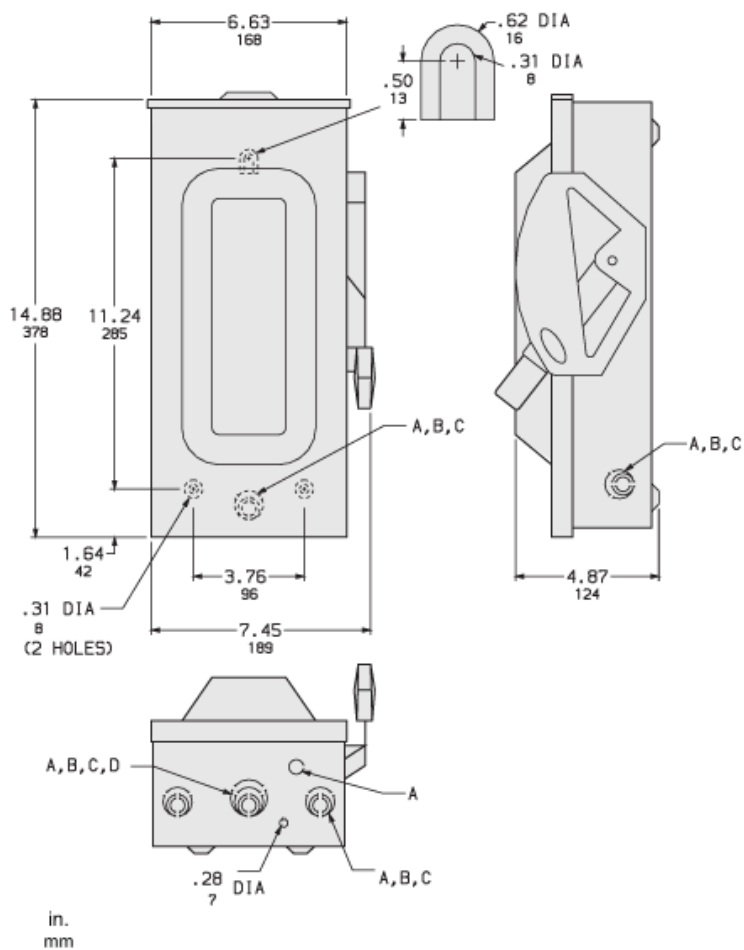
Offer Sustainability

Sustainable offer status	Green Premium product
California proposition 65	WARNING: This product can expose you to chemicals including: Lead and lead compounds, which is known to the State of California to cause cancer and birth defects or other reproductive harm. For more information go to www.P65Warnings.ca.gov
REACH Regulation	REACH Declaration
REACH free of SVHC	Yes
EU RoHS Directive	Compliant EU RoHS Declaration
Mercury free	Yes
RoHS exemption information	Yes
China RoHS Regulation	China RoHS declaration Product out of China RoHS scope. Substance declaration for your information.
Environmental Disclosure	Product Environmental Profile
PVC free	Yes

Contractual warranty

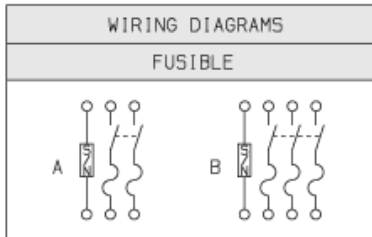
Warranty	18 months
----------	-----------

Approximate Dimensions



KNOCKOUTS				
SYMBOL	CONDUIT SIZE		DIAMETER	
	IN	MM	IN	MM
A	.50	13	.88	22
B	.75	19	1.13	29
C	1.00	25	1.38	35
D	1.25	32	1.75	45

Connections and Wiring Diagrams



TERMINAL LUGS †			
AMPERES	MAX. WIRE	MIN. WIRE	TYPE
60	# 3 AWG	# 14 AWG	CU OR AL

† LUGS SUITABLE FOR 60°C OR 75°C CONDUCTORS.

CATALOG NUMBER	VOLTAGE RATINGS	WIRING DIAG.	AMPERE RATING	HORSEPOWER RATINGS			
				240VAC			
				STD.		MAX.	
				1 Ø	3 Ø	1 Ø	3 Ø
D222NRB	240VAC	A	60	3	7.50 ●	10	15 ●
D322NRB	240VAC	B	60	3 ✱	7.50	10	15

✱ USE OUTER SWITCHING POLES.

● FOR CORNER GROUNDED DELTA SYSTEMS ONLY.