

## Position Sensors

### ADAPTOR SET

(VOS2T-R use)

#### Functions & Features

- Used to replace the VOS-R Series with the VOS2T-R
- Adaptor plate with a dedicated lever adjusts the mounting hole positions of the two models without need for extra fitting
- Link Set (model: VOLK) connecting the VOS-R with a valve can be also used

### MODEL: VOAR-[1]

#### ORDERING INFORMATION

- Code number: VOAR-[1]
- Specify a code from below for [1].  
(e.g. VOAR-A)

#### [1] LEVER

**A:** Attached to the upper side

Effective radius 24 - 40 mm (0.94" - 1.57")

**B:** Attached to the upper side

Effective radius 35 - 80 mm (1.38" - 3.15")

**C:** Attached to the upper side

Effective radius 40 - 130 mm (1.57" - 5.12")

**D:** Attached to the lower side

Effective radius 15 - 40 mm (0.59" - 1.57")

**E:** Attached to the lower side

Effective radius 35 - 80 mm (1.38" - 3.15")

**F:** Attached to the lower side

Effective radius 40 - 130 mm (1.57" - 5.12")

#### GENERAL SPECIFICATIONS

##### Materials

**Lever:** Stainless steel

**Adaptor plate:** Aluminium alloy

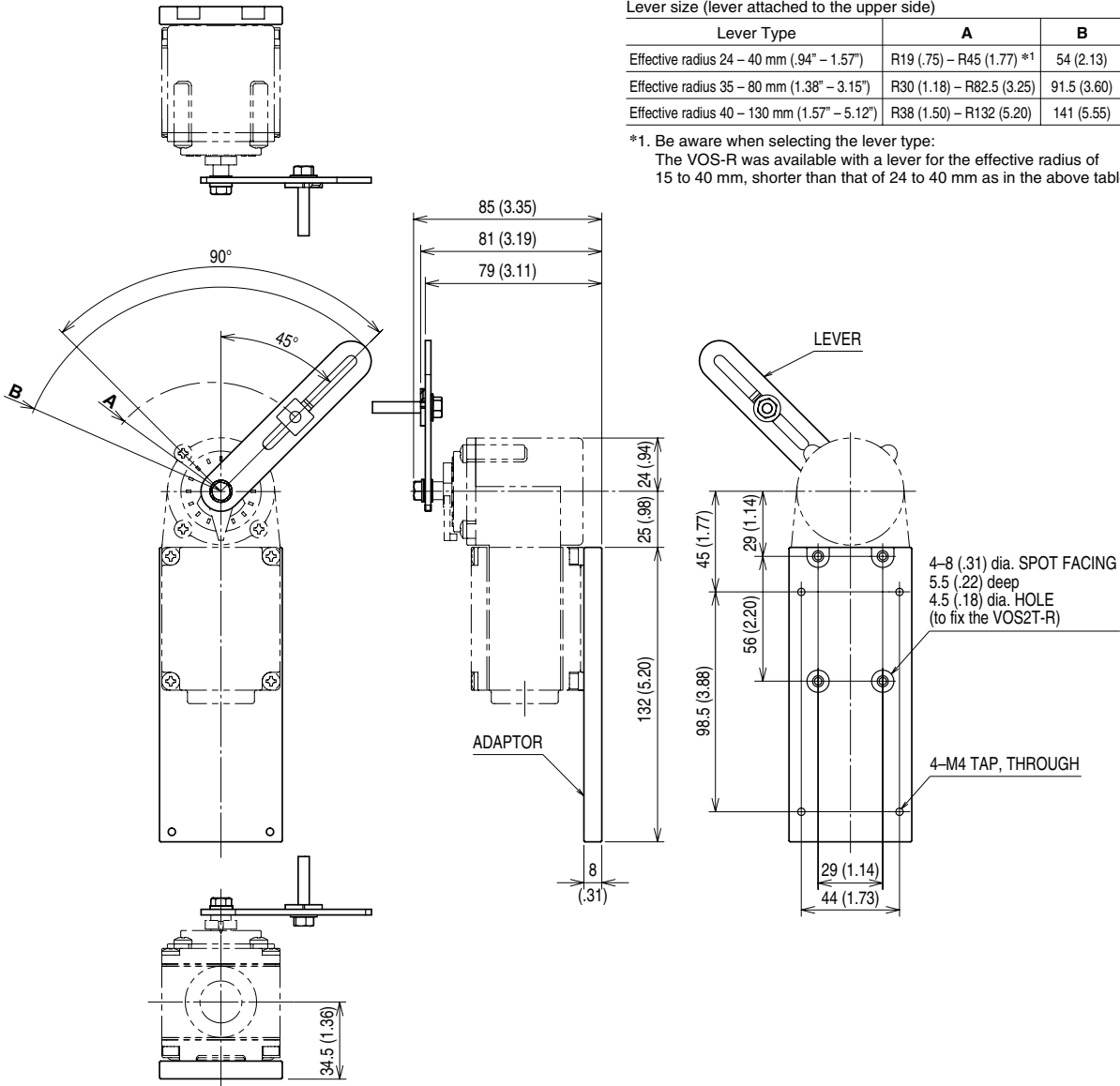
**Adaptor's surface treatment:** Anodizing

#### INSTALLATION

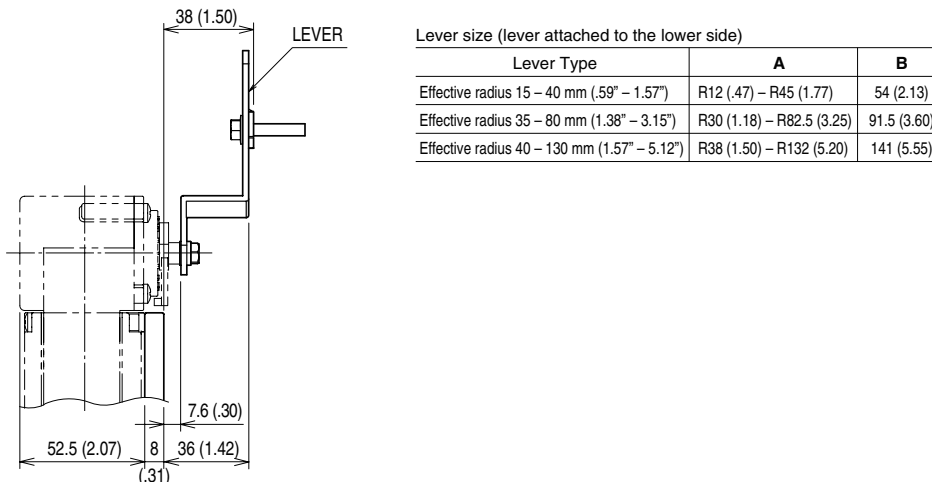
**Weight:** 175 g (0.39 lb)

## DIMENSIONS unit: mm (inch)

### • Lever Attached to the Upper Side



### • Lever Attached to the Lower Side





Specifications are subject to change without notice.