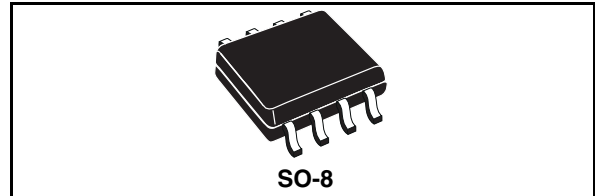


## Up to 1A step down switching regulator with adjustable current limit for automotive applications

### Features

- Qualified following the AEC-Q100 requirements (temperature Grade 3), see PPAP for more details.
- Temperature range -40°C to 85°C
- Up to 1A DC output current
- Operating input voltage from 8V to 36V
- Output voltage adjustable from 1.235V to 35V
- Precise 3.3V ( $\pm 2\%$ ) reference voltage
- 250kHz Internally fixed frequency
- Voltage feedforward
- Zero load current operation
- Internal current limiting
- Protection against feedback disconnection
- Thermal shutdown



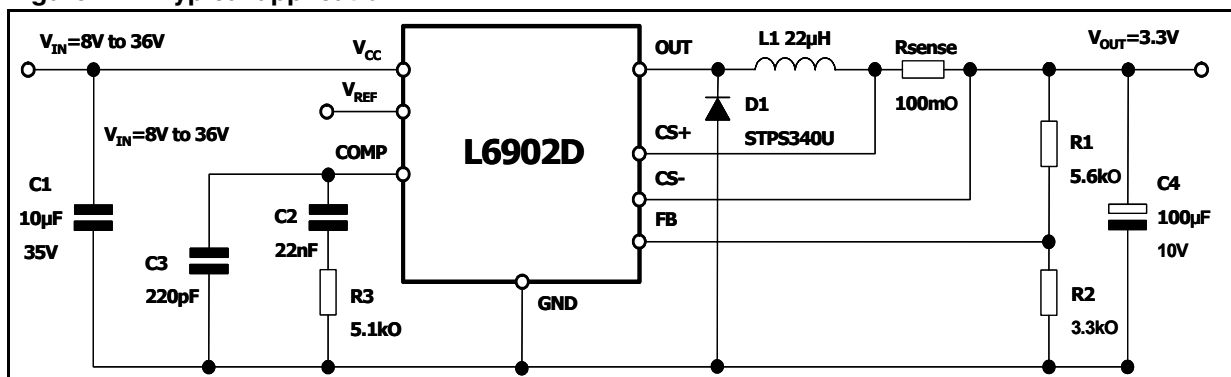
### Description

The A6902D is a complete and simple step down switching regulator with adjustable current limit, capable to deliver up to 1A at output voltages from 1.2V to 35V. The internal robust P-channel DMOS transistor with a typical of 250m $\Omega$  assures high efficiency and a minimum dropout even at high output current level. The internal fixed switching frequency of 250kHz, and the SO-8 package pin allow to built an ultra compact DC/ DC converter with a minimum board space.

### Applications

- Dedicated to automotive applications
- Adjustable current generator
- Simple step-down converters with adjustable current limit

Figure 1. Typical application



# Contents

<b>1</b>	<b>Device summary</b> .....	<b>3</b>
<b>2</b>	<b>Pin settings</b> .....	<b>4</b>
	2.1 Pin connection .....	4
	2.2 Pin description .....	4
<b>3</b>	<b>Electrical data</b> .....	<b>5</b>
	3.1 Maximum ratings .....	5
	3.2 Thermal data .....	5
<b>4</b>	<b>Electrical characteristics</b> .....	<b>6</b>
<b>5</b>	<b>Package mechanical data</b> .....	<b>8</b>
<b>6</b>	<b>Order codes</b> .....	<b>10</b>
<b>7</b>	<b>Revision history</b> .....	<b>11</b>

# 1 Device summary

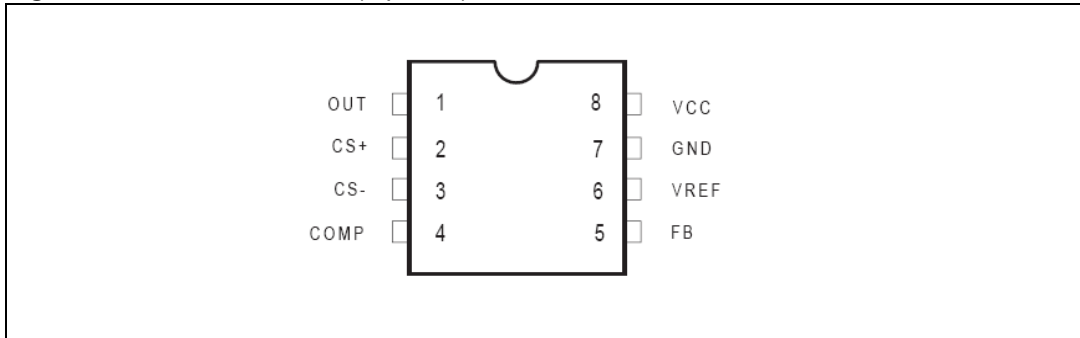
The A6902D is a complete and simple step down switching regulator with adjustable current limit. Based on a voltage mode structure it integrates a current error amplifier to have a constant voltage and constant current control. By means of an on board current sense resistor and the availability of the current sense pins (both compatible to Vcc and for Cs-compatible with GND too) a current limit programming is very simple and accurate. Moreover constant current control can be used to charge NiMH and NiCd batteries. The device can be used as a standard DC/DC converter with adjustable current limit (set by using the external sense resistor). The internal robust P-channel DMOS transistor with a typical of 250mΩ assures high efficiency and a minimum dropout even at high output current level. The internal limiting current (latched function) of typical value of 2.5A protects the device from accidental output short circuit avoiding dangerous loads damage. If the temperature of the chip goes higher than a fixed internal threshold (150°C with 20°C hysteresis), the power stage is turned OFF.

Other protections beside thermal shutdown complete the device for a safe and reliable application: overvoltage protection, frequency folback overcurrent protection and protection vs. feedback disconnection. The internal fixed switching frequency of 250kHz, and the SO-8 package pin allow to built an ultra compact DC/ DC converter with a minimum board space.

## 2 Pin settings

### 2.1 Pin connection

Figure 2. Pin connection (top view)



### 2.2 Pin description

Table 1. Pin description

N	Pin	Description
1	OUT	Regulator output.
2	CS+	Current error amplifier input (current sense at higher voltage)
3	CS-	Current error amplifier input (current sense at lower voltage)
4	COMP	E/A output for frequency compensation.
5	FB	Feedback input. Connecting directly to this pin results in an output voltage of 1.23V. An external resistive divider is required for higher output voltages.
6	V <sub>REF</sub>	3.3V reference voltage. No cap is need for stability.
7	GND	Ground.
8	VCC	Unregulated DC input voltage.

## 3 Electrical data

### 3.1 Maximum ratings

**Table 2. Absolute maximum ratings**

Symbol	Parameter	Value	Unit
$V_8$	Input voltage	40	V
$V_1$	OUT pin DC voltage	-1 to 40	V
	OUT pin peak voltage at $\Delta t=0.1\mu s$	-5 to 40	V
$I_1$	Maximum output current	int. limit.	
$V_4, V_5$	Analog pins	4	V
$V_2, V_3$	Analog pins	-0.3 to $V_{CC}$	V
$P_{TOT}$	Power dissipation at $T_A \leq 70^\circ C$	0.7	W
$T_j$	Operating junction temperature range	-40 to 150	$^\circ C$
$T_{STG}$	Storage temperature range	-55 to 150	$^\circ C$

### 3.2 Thermal data

**Table 3. Thermal data**

Symbol	Parameter	SO-8	Unit
$R_{thJA}$	Maximum thermal resistance junction-ambient	110 <sup>(1)</sup>	$^\circ C/W$

1. Package mounted on board

## 4 Electrical characteristics

**Table 4. Electrical characteristics** ( $T_J = -40$  to  $85^\circ\text{C}$ ,  $V_{CC} = 12\text{V}$ , unless otherwise specified)

Symbol	Parameter	Test condition	Min	Typ	Max	Unit
$V_{CC}$	Operating input voltage range	$V_0 = 1.235\text{V}$ ; $I_0 = 2\text{A}$	8		36	V
$R_{DS(on)}$	Mosfet on resistance			0.250	0.5	$\Omega$
$I_L$	Maximum limiting current	$V_{CC} = 8.5\text{V}$	2	2.5	3.2	A
$I_0$	Operating charging current	$R_{sense} = 0.1\Omega$	0.92		1.08	A
$f_{SW}$	Switching frequency		212	250	280	kHz
	Duty cycle		0		100	%
<b>Dynamic characteristics</b> (see test circuit).						
$V_5$	Voltage feedback	$8\text{V} < V_{CC} < 36\text{V}$ , $20\text{mA} < I_0 < 1\text{A}$	1.198	1.235	1.272	V
$\eta$	Efficiency	$V_0 = 5\text{V}$ , $V_{CC} = 12\text{V}$		90		%
<b>DC characteristics</b>						
$I_{qop}$	Total operating quiescent current			3	5	mA
$I_q$	Quiescent current	Duty cycle = 0; $V_{FB} = 1.5\text{V}$			2.7	mA
<b>Error amplifier</b>						
$V_{OH}$	High level output voltage	$V_{FB} = 1\text{V}$	3.6			V
$V_{OL}$	Low level output voltage	$V_{FB} = 1.5\text{V}$			0.4	V
$I_{o\ source}$	Source output current	$V_{COMP} = 1.9\text{V}$ ; $V_{FB} = 1\text{V}$	190	300		$\mu\text{A}$
$I_{o\ sink}$	Sink output current	$V_{COMP} = 1.9\text{V}$ ; $V_{FB} = 1.5\text{V}$	1	1.5		mA
$I_b$	Source bias current			2.5	4	$\mu\text{A}$
	DC open loop gain	$R_L = \infty$	50	58		dB
$g_m$	Transconductance	$I_{COMP} = -0.1\text{mA}$ to $0.1\text{mA}$ ; $V_{COMP} = 1.9\text{V}$		2.3		mS
$V_{OFFS}$	Input offset voltage	$V_{CS-} = 1.8\text{V}$ ; $V_{CS+} =$ $V_{comp}$	90	100	110	mV
$I_{CS+}$	CS+ output current	$I_0 = 1\text{A}$ ; $R_{SENSE}$ $= 100\text{m}\Omega$ ; $V_{OUT} < V_{CC} - 2\text{V}$		1.5	3	$\mu\text{A}$
$I_{CS-}$	CS- output current	$I_0 = 1\text{A}$ ; $R_{SENSE}$ $= 100\text{m}\Omega$ ; $V_{OUT} < V_{CC} - 2\text{V}$		1.5	3	$\mu\text{A}$

**Table 4. Electrical characteristics** ( $T_J = -40$  to  $85^\circ\text{C}$ ,  $V_{CC} = 12\text{V}$ , unless otherwise specified)

Symbol	Parameter	Test condition	Min	Typ	Max	Unit
<b>Reference section</b>						
	Reference voltage	$I_{REF} = 0$ to $5\text{mA}$ $V_{CC} = 8\text{V}$ to $36\text{V}$	3.2	3.3	3.399	V
	Line regulation	$I_{REF} = 0\text{mA}$ $V_{CC} = 8\text{V}$ to $36\text{V}$		5	10	mV
	Load regulation	$I_{REF} = 0$ to $5\text{mA}$		8	15	mV
	Short circuit current		5	18	35	mA

## 5 Package mechanical data

In order to meet environmental requirements, ST offers these devices in ECOPACK® packages. These packages have a Lead-free second level interconnect . The category of second level interconnect is marked on the package and on the inner box label, in compliance with JEDEC Standard JESD97. The maximum ratings related to soldering conditions are also marked on the inner box label. ECOPACK is an ST trademark. ECOPACK specifications are available at: [www.st.com](http://www.st.com)

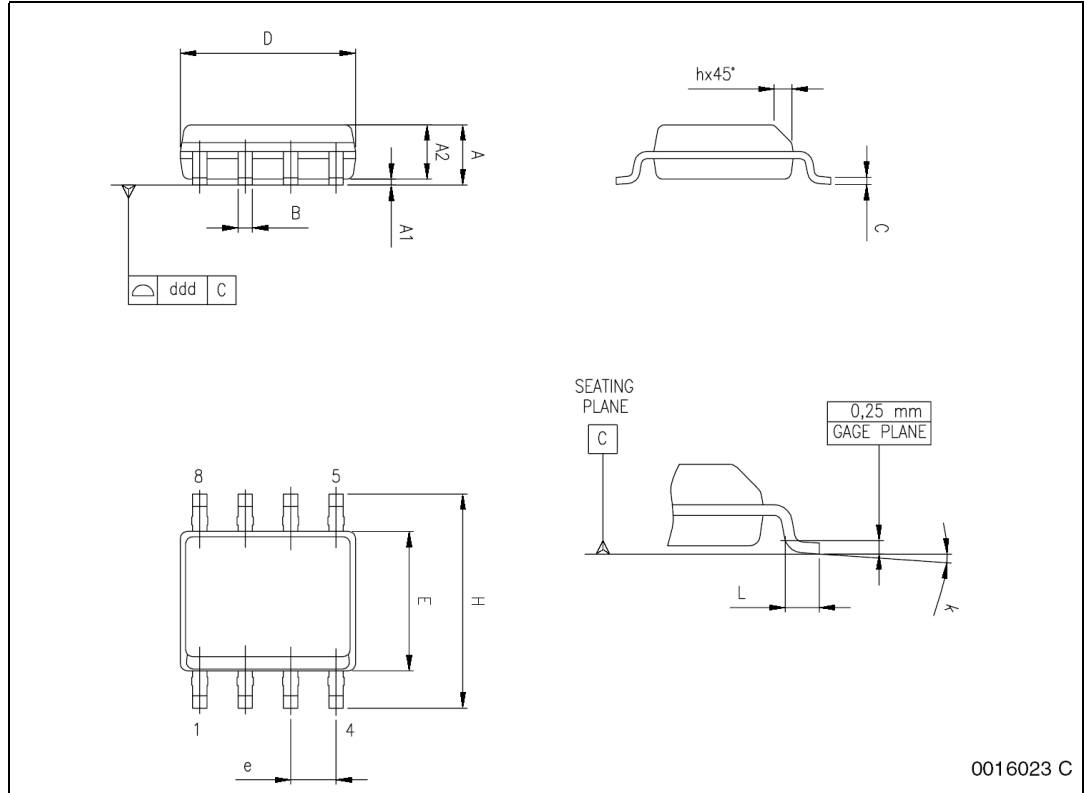


Table 5. SO-8 mechanical data

Dim.	mm.			inch		
	Min	Typ	Max	Min	Typ	Max
A	1.35		1.75	0.053		0.069
A1	0.10		0.25	0.004		0.010
A2	1.10		1.65	0.043		0.065
B	0.33		0.51	0.013		0.020
C	0.19		0.25	0.007		0.010
D (1)	4.80		5.00	0.189		0.197
E	3.80		4.00	0.15		0.157
e		1.27			0.050	
H	5.80		6.20	0.228		0.244
h	0.25		0.50	0.010		0.020
L	0.40		1.27	0.016		0.050
k	0° (min.), 8° (max.)					
ddd			0.10			0.004

1. Dimensions D does not include mold flash, protrusions or gate burrs. Mold flash, protrusions or gate burrs shall not exceed 0.15mm (.006inch) in total (both side).

Figure 3. Package dimensions



## 6 Order codes

**Table 6. Order code**

Order code	Package	Packing
A6902D	SO-8	Tube
A6902D13TR		Tape and reel

## 7 Revision history

**Table 7. Document revision history**

Date	Revision	Changes
02-Oct-2007	1	Initial release
5-Nov-2007	2	Updated: <a href="#">Table 4 on page 6</a>

**Please Read Carefully:**

Information in this document is provided solely in connection with ST products. STMicroelectronics NV and its subsidiaries ("ST") reserve the right to make changes, corrections, modifications or improvements, to this document, and the products and services described herein at any time, without notice.

All ST products are sold pursuant to ST's terms and conditions of sale.

Purchasers are solely responsible for the choice, selection and use of the ST products and services described herein, and ST assumes no liability whatsoever relating to the choice, selection or use of the ST products and services described herein.

No license, express or implied, by estoppel or otherwise, to any intellectual property rights is granted under this document. If any part of this document refers to any third party products or services it shall not be deemed a license grant by ST for the use of such third party products or services, or any intellectual property contained therein or considered as a warranty covering the use in any manner whatsoever of such third party products or services or any intellectual property contained therein.

**UNLESS OTHERWISE SET FORTH IN ST'S TERMS AND CONDITIONS OF SALE ST DISCLAIMS ANY EXPRESS OR IMPLIED WARRANTY WITH RESPECT TO THE USE AND/OR SALE OF ST PRODUCTS INCLUDING WITHOUT LIMITATION IMPLIED WARRANTIES OF MERCHANTABILITY, FITNESS FOR A PARTICULAR PURPOSE (AND THEIR EQUIVALENTS UNDER THE LAWS OF ANY JURISDICTION), OR INFRINGEMENT OF ANY PATENT, COPYRIGHT OR OTHER INTELLECTUAL PROPERTY RIGHT.**

**UNLESS EXPRESSLY APPROVED IN WRITING BY AN AUTHORIZED ST REPRESENTATIVE, ST PRODUCTS ARE NOT RECOMMENDED, AUTHORIZED OR WARRANTED FOR USE IN MILITARY, AIR CRAFT, SPACE, LIFE SAVING, OR LIFE SUSTAINING APPLICATIONS, NOR IN PRODUCTS OR SYSTEMS WHERE FAILURE OR MALFUNCTION MAY RESULT IN PERSONAL INJURY, DEATH, OR SEVERE PROPERTY OR ENVIRONMENTAL DAMAGE. ST PRODUCTS WHICH ARE NOT SPECIFIED AS "AUTOMOTIVE GRADE" MAY ONLY BE USED IN AUTOMOTIVE APPLICATIONS AT USER'S OWN RISK.**

Resale of ST products with provisions different from the statements and/or technical features set forth in this document shall immediately void any warranty granted by ST for the ST product or service described herein and shall not create or extend in any manner whatsoever, any liability of ST.

ST and the ST logo are trademarks or registered trademarks of ST in various countries.

Information in this document supersedes and replaces all information previously supplied.

The ST logo is a registered trademark of STMicroelectronics. All other names are the property of their respective owners.

© 2007 STMicroelectronics - All rights reserved

STMicroelectronics group of companies

Australia - Belgium - Brazil - Canada - China - Czech Republic - Finland - France - Germany - Hong Kong - India - Israel - Italy - Japan - Malaysia - Malta - Morocco - Singapore - Spain - Sweden - Switzerland - United Kingdom - United States of America

[www.st.com](http://www.st.com)