

PLEASE CHECK WWW.MOLEX.COM FOR LATEST PART INFORMATION

Part Number: [0525571270](#)
Status: **Active**
Overview:
Description: 0.80mm (.031") Pitch FFC/FPC Connector, SMT, Right Angle, Non-ZIF, Dual Contact Style Receptacle, 12 Circuits, Lead-free

General

Product Family FFC/FPC Connectors
 Series [52557](#)
 Comments Dual Contact
 Overview ffc_fpc_smt
 Product Name N/A

Physical

Circuits (Loaded) 12
 Contact Position Dual
 Entry Angle 90° Angle
 Mated Height (in) 0.079 In
 Mated Height (mm) 2.00 mm
 Material - Metal Phosphor Bronze
 Material - Plating Mating Tin-Bismuth
 Material - Plating Termination Tin-Bismuth
 Number of Rows 1
 Orientation Right Angle
 PCB Locator No
 PCB Retention None
 Packaging Type Embossed Tape on Reel
 Pitch - Mating Interface (in) 0.031 In
 Pitch - Mating Interface (mm) 0.80 mm
 Plating min: Mating (µin) 40
 Plating min: Mating (µm) 1
 Plating min: Termination (µin) 40
 Plating min: Termination (µm) 1
 Polarized to PCB No
 Stackable No
 Temperature Range - Operating -20°C to +80°C
 Termination Interface: Style Surface Mount
 Wire/Cable Type FFC/FPC

Electrical

Current - Maximum per Contact 0.2A, 0.4A, 0.5A
 Voltage - Maximum 50V

Material Info

Reference - Drawing Numbers

Packaging Specification SPK-52557-001
 Product Specification PS-52557-002
 Sales Drawing SD-52557-009, SD-52557-010

EU RoHS

ELV and RoHS Compliant

REACH SVHC

Not Reviewed

Halogen-Free

Status

Not Reviewed

China RoHS



Need more information on product environmental compliance?

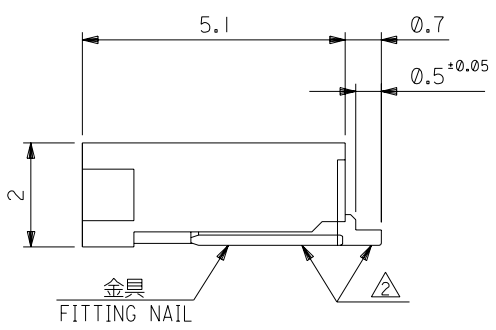
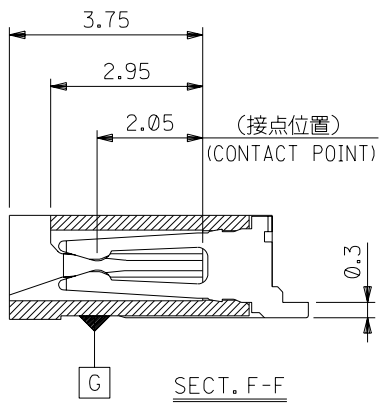
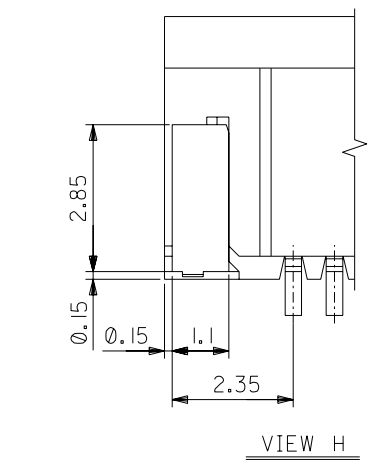
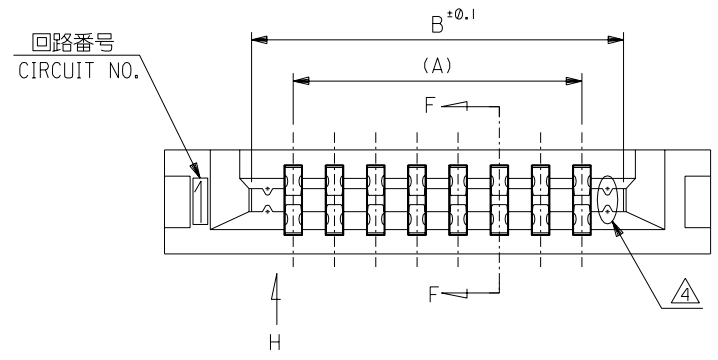
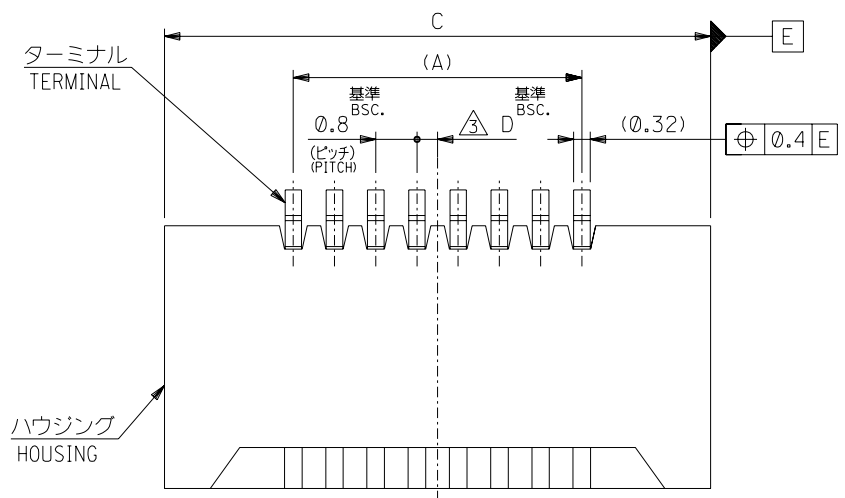
Email productcompliance@molex.com
 For a multiple part number RoHS Certificate of Compliance, [click here](#)

Please visit the [Contact Us](#) section for any non-product compliance questions.

Search Parts in this Series

[52557Series](#)

DWG. NO. SD-52557-009



注記 NOTES

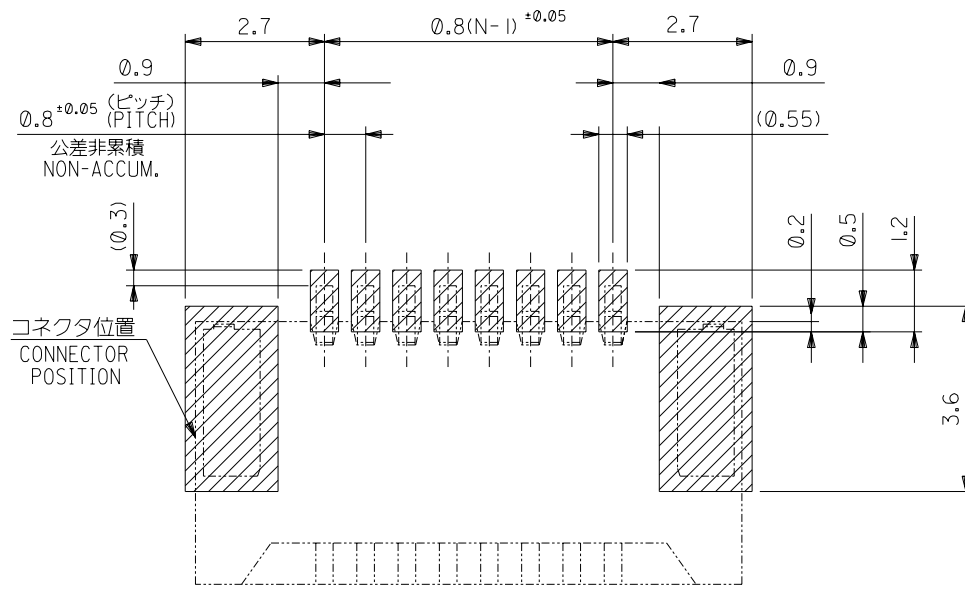
1. 使用材料 MATERIAL
 ハウジング: PPS, UL94V-0 HOUSING : PPS, UL94V-0
 ターミナル: リン青銅 (t=0.32) TERMINAL : PHOSPHOR BRONZE
 メッキ: 錫ビスマスメッキ PLATING : TIN-BISMUTH PLATED
 金具 : リン青銅 (t=0.2) FITTING NAIL : PHOSPHOR BRONZE
 メッキ: 錫メッキ PLATING : TIN PLATED
- △ ソルダテール半田付け面のズレ量及び、金具半田付け面のズレ量は、基準面 G に対し上方向に 0.05MAX. 下方向に 0.15MAX. とする。
 MISALIGNMENT OF SOLDER TAILS AND FITTING NAILS FROM G
 UPPER DIRECTION : 0.05MAX.
 LOWER DIRECTION : 0.15MAX.
- △ ハウジングの C から隣接するターミナルの C 迄の位置を示す。
 SHOW POSITION FROM C OF HOUSING TO C OF ADJACENT TERMINALS.
- △ 4~10 極に適用。
 APPLICABLE TO 4-10 CIRCUIT.

5. 本製品は 52557-**-10 の鉛フリー品である。
 THIS PRODUCT IS LEAD FREE OF 52557-**-10.

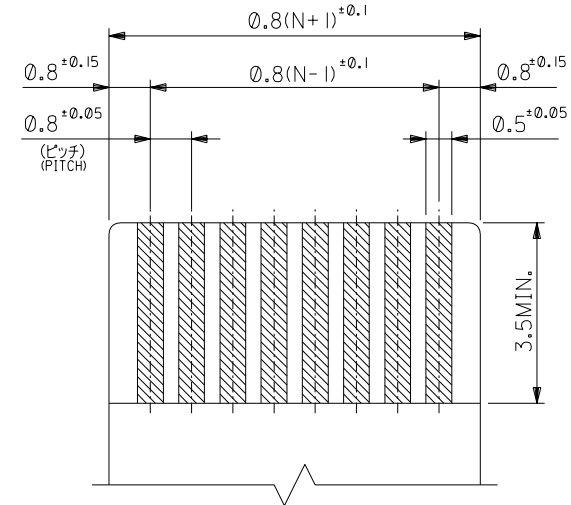
| | | | | | | |
|-------------|------|-------|------|------------|--------------|---------|
| 0.4 | 20.2 | 16.82 | 15.2 | 52557-2019 | 20 | |
| 0.4 | 18.6 | 15.22 | 13.6 | -1819 | 18 | |
| 0.4 | 17.0 | 13.62 | 12.0 | -1619 | 16 | |
| 0.8 | 16.2 | 12.82 | 11.2 | -1519 | 15 | |
| 0.4 | 15.4 | 12.02 | 10.4 | -1419 | 14 | |
| 0.8 | 14.6 | 11.22 | 9.6 | -1319 | 13 | |
| 0.4 | 13.8 | 10.42 | 8.8 | -1219 | 12 | |
| 0.8 | 13.0 | 9.62 | 8.0 | -1119 | 11 | |
| 0.4 | 12.2 | 8.82 | 7.2 | -1019 | 10 | |
| 0.8 | 11.4 | 8.02 | 6.4 | -0919 | 9 | |
| 0.4 | 10.6 | 7.22 | 5.6 | -0819 | 8 | |
| 0.8 | 9.8 | 6.42 | 4.8 | -0719 | 7 | |
| 0.4 | 9.0 | 5.62 | 4.0 | -0619 | 6 | |
| 0.8 | 8.2 | 4.82 | 3.2 | -0519 | 5 | |
| 52557-**-19 | 0.4 | 7.4 | 4.02 | 2.4 | 52557-0419 | 4 |
| MODEL NO. | D | C | B | A | MATERIAL NO. | 極数 CKT. |

| | | | |
|-------------------------------|---------------------------|---|--|
| 材料 MATERIAL | 注記参照 SEE NOTES | molex MOLEX-JAPAN CO.,LTD. 日本モレックス株式会社 | |
| 仕上げ FINISH | --- | REVISE ONLY ON CAD SYSTEM | |
| 適用電線範囲 WIRE RANGE | --- | TITLE 名称 | |
| 被覆外径 INS. RANGE | --- | 0.8 FFC CONN. NON ZIF SMT | |
| DRAWN BY '04/03/15 H.KAWABATA | CHK'D BY '04/03/15 K.TOJO | -LEAD FREE- | |
| APP'D BY '04/03/15 M.SASAO | 尺度 SCALE | DWG. NO. (SHEET 1 OF 2) REV | |
| 記号 LTR | 変更内容 REVISION RECORD | SD-52557-009 0 | |
| DR. CHK. DATE | DR. CHK. DATE | | |

| | |
|-------------------------|---------------|
| 角度 ANGLE | $\pm 3^\circ$ |
| 30 以上 OVER | ± 0.3 |
| 10 以上 OVER 30 未満 UNDER | ± 0.25 |
| 10 未満 UNDER | ± 0.2 |
| 一般公差 GENERAL TOLERANCES | |



参考基板レイアウト (マウント面)
P.C.B. PATTERN LAYOUT (REF.) (MOUNT AREA)



適合FFC/FPC推奨寸法
RECOMMENDED APPLICABLE
FFC/FPC LAYOUT
(仕上がり厚さ: 0.3 ± 0.05)
(THICKNESS: 0.3 ± 0.05)

DIMENSIONS IN METRIC DO NOT SCALE DRAWING

MODEL NO. 52557-**-19

| | | | | | |
|----------------------------------|-------|------------------------------|-------------------------------|---|-----------|
| 材料 MATERIAL | | 注記参照 SEE NOTES | | molex MOLEX-JAPAN CO.,LTD. 日本モレックス株式会社 | |
| 仕上げ FINISH | | --- | | REVISE ONLY ON CAD SYSTEM | |
| 適用電線範囲 WIRE RANGE | | --- | | TITLE 名称 | |
| 被覆外径 INS. RANGE | | --- | | 0.8 FFC CONN. NON ZIF SMT -LEAD FREE- | |
| DRAWN BY '04/03/15 H.KAWABATA | | CHK'D BY '04/03/15 K.TOJO | | DWG. NO. (SHEET 2 OF 2) REV | |
| APP'D BY '04/03/15 M.SASAO | | 尺度 SCALE | | SD-52557-009 0 | |
| 角度 ANGLE | ±3° | 記号 LTR | 変更内容 REVISION RECORD | DR. CHK. | 日付 DATE |
| 30以上 OVER | +0.3 | 0 | 新規作成 (J2004-3096) RELEASED | 日付 | '04/03/15 |
| 10以上 OVER 30未滿 UNDER | +0.25 | | | | |
| 未滿 UNDER | +0.2 | | | | |
| 一般公差 GENERAL TOLERANCES | | | | | |

:MM DIMENSIONS IN METRIC DO NOT SCALE DRAWING

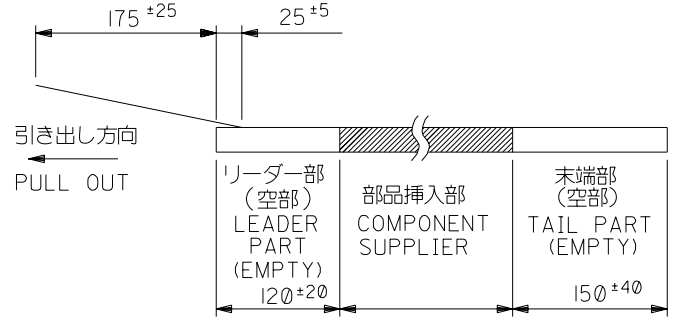
ENG. NO.
SD-52557-010

EDP NO.

注記 NOTES

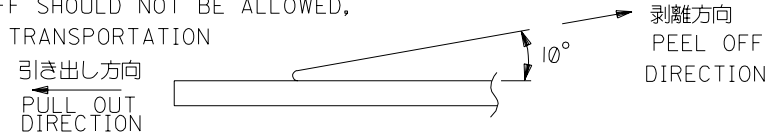
- 梱包数量：1000個/リール NUMBER OF CONNECTORS:1000PCS/REEL
- リードテープ長さ LEAD TAPE LENGTH

トップテープ TOP TAPE トップテープ TOP TAPE
 リーダー部 LEADER PART 未接着部 NON-BONDED PART



- トップテープの剥離強度：(剥離方向は下図参照)
 0.1~1.3N {10~130gf} 尚、本規格値は、出荷時に適用。
 (但し、輸送時に剥離が発生しない事。)

PEELING OFF FORCE OF TOP TAPE
 0.1~1.3N {10~130gf} (PEELING DIRECTION AS SHOWN IN FOLLOWING FIG.)
 THIS REQUIREMENT SHOULD BE APPLIED AT SHIPMENT
 PEEL OFF SHOULD NOT BE ALLOWED,
 DURING TRANSPORTATION



- 材料 キャリアテープ：ポリプロピレン (PP)
 トップテープ：PET, PE, PEF
 リール：ポリスチレン (PS) <リサイクル材を含む>
 MATERIAL CARRIER TAPE:POLYPROPYLENE
 TOP TAPE:PET,PE,PEF
 REEL:POLYSTYRE(PS)
 <RECYCLE MATERIAL CONTAINED>

- 本製品は52557-**-90の鉛フリー品である。
 THIS PRODUCT IS LEAD FREE OF 52557-**-90.

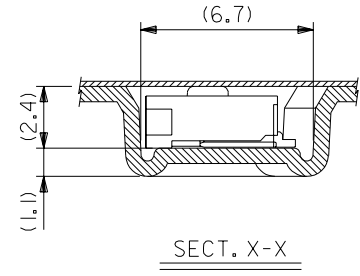
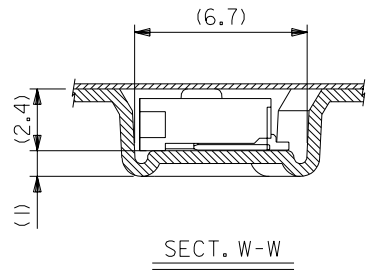
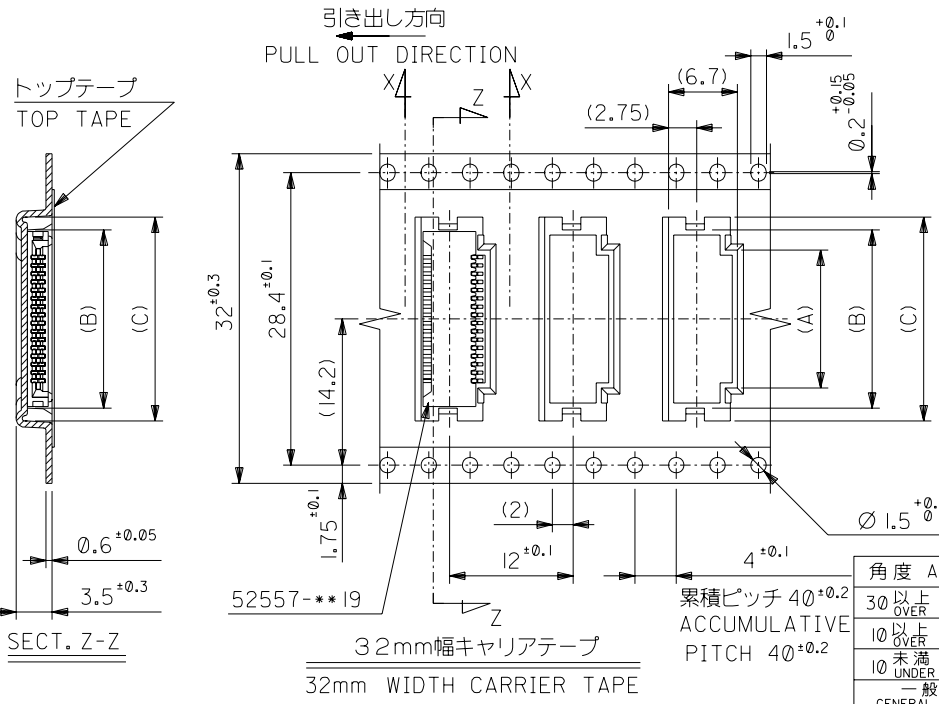
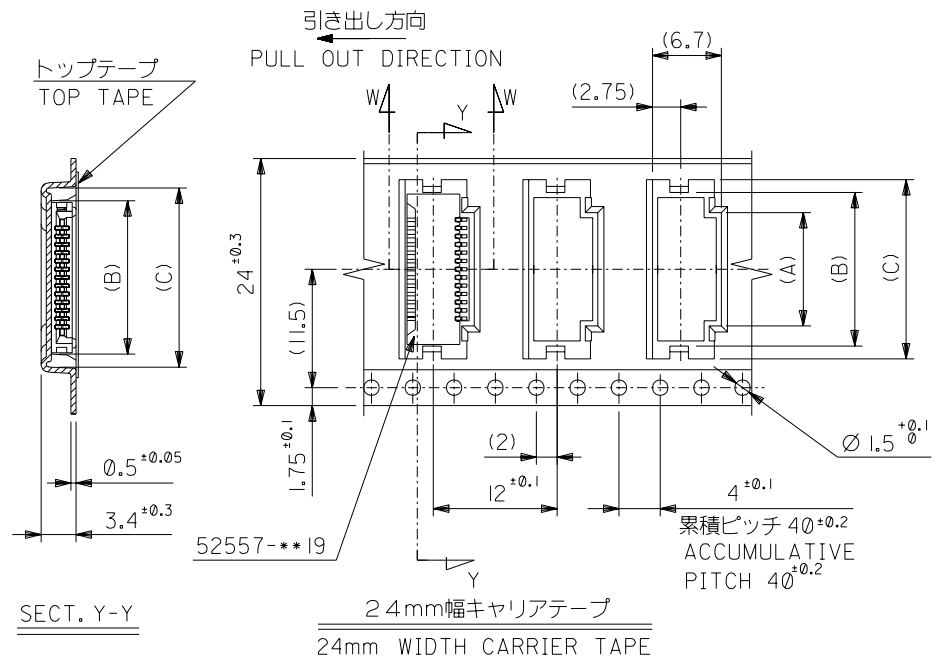
52557-**-70
 MODEL NO.

| | | | | | | | |
|-------------------------|--|---------------------------|----------------------|----------------------------|------------------|---|------------|
| 角度 ANGLE | | ±3° | | 材料 MATERIAL | 注記参照 SEE NOTES | molex MOLEX-JAPAN CO.,LTD. 日本モレックス株式会社 | |
| 30 以上 OVER | | ±0.5 | | 仕上げ FINISH | — | EDP. NO. — | |
| 10 以上 OVER 30 未満 UNDER | | ±0.25 | | 適用電線範囲 WIRE RANGE | — | ENG. NO. (SHEET 1 OF 3) REV | |
| 10 未満 UNDER | | ±0.2 | | 被覆外径 INS. RANGE | — | SD-52557-010 0 | |
| 一般公差 GENERAL TOLERANCES | | REVISE ONLY ON CAD SYSTEM | | 新規作成 RELEASED (J2004-3096) | 04/03/15 | TITLE 名称 0.8 FFC Conn NON ZIF SMT Embstp pkg -LEAD FREE- | |
| | | 記号 TR | 変更内容 REVISION RECORD | DR. H.KAWABATA | 日付 DATE 04/03/15 | CHK'D BY K.TOJO | 尺度 SCALE — |

THIS DRAWING CONTAINS INFORMATION THAT IS PROPRIETARY TO MOLEX(JAPAN) AND SHOULD NOT BE USED WITHOUT WRITTEN PERMISSION
 本図面は日本モレックス(株)の所有する情報を含むもので 当社の許可なく複製を禁止する。

ENC. NO. SD-52557-010
EDP NO.

ALL DIMENSIONS IN METRIC DO NOT SCALE DRAWING



| | | | | | | | |
|------|------|------|-------|------|------|------------|----|
| 32 | 37.4 | 33.4 | 21.4 | 18.9 | 15.0 | 52557-1870 | 18 |
| | | | 19.8 | 17.3 | 13.4 | -1670 | 16 |
| 24 | 29.4 | 25.4 | 19.0 | 16.5 | 12.6 | -1570 | 15 |
| | | | 18.2 | 15.7 | 11.8 | -1470 | 14 |
| | | | 17.4 | 14.9 | 11.0 | -1370 | 13 |
| | | | 16.6 | 14.1 | 10.2 | -1270 | 12 |
| | | | 15.8 | 13.3 | 9.4 | -1170 | 11 |
| | | | 15.0 | 12.5 | 8.6 | -1070 | 10 |
| | | | 14.2 | 11.7 | 7.8 | -0970 | 9 |
| | | | 13.4 | 10.9 | 7.0 | -0870 | 8 |
| | | | 12.6 | 10.1 | 6.2 | -0770 | 7 |
| | | | 11.8 | 9.3 | 5.4 | -0670 | 6 |
| 11.0 | 8.5 | 4.6 | -0570 | 5 | | | |
| | | | 10.2 | 7.7 | 3.8 | 52557-0470 | 4 |

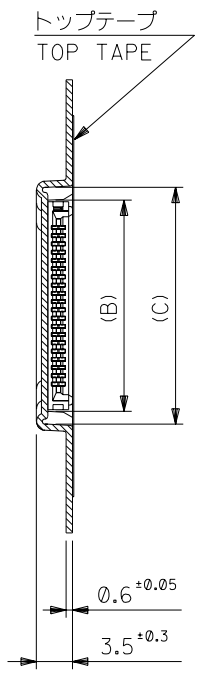
| | | | | | | | | | |
|----------------------------------|--------------------------------|--|---|-------------------|-----|---------|--------------|---|--|
| 52557-***70 | キャリアテープ幅 CARRIER TAPE WIDTH | E | D | (C) | (B) | (A) | MATERIAL NO. | 極数 CIRCUIT | |
| MODEL NO. | | | | | | | | | |
| 材料 MATERIAL | | SHEET 1 OF 3 参照 REFER TO SHEET 1 OF 3 | | | | | | MOLEX-JAPAN CO.,LTD. 日本モレックス株式会社 | |
| 仕上げ FINISH | | — | | | | | | EDP. NO. — | |
| 適用電線範囲 WIRE RANGE | | — | | | | | | ENG. NO. (SHEET 2 OF 3) REV SD-52557-010 0 | |
| 被覆外径 INS. RANGE | | — | | | | | | TITLE 名称 0.8 FFC Conn NON ZIF SMT Embstp pkg -LEAD FREE- | |
| DRAWN BY '04/03/15 H.KAWABATA | | CHK'D BY '04/03/15 K.TOJO | | DATE '04/03/15 | | SCALE — | | | |
| 記号 LTR | | 変更内容 REVISION RECORD | | DR. CHK. | | DATE | | | |
| 角度 ANGLE | | ±3° | | ±0.5 | | ±0.25 | | ±0.2 | |
| 30以上 OVER | | | | | | | | | |
| 10以上 OVER 30未満 UNDER | | | | | | | | | |
| 10未満 UNDER | | | | | | | | | |
| 一般公差 GENERAL TOLERANCES | | REVISE ONLY ON CAD SYSTEM | | | | | | | |

THIS DRAWING CONTAINS INFORMATION THAT IS PROPRIETARY TO MOLEX(JAPAN) AND SHOULD NOT BE USED WITHOUT WRITTEN PERMISSION
本図面は日本モレックス(株)の所有する情報を含むもので 当社の許可なく複製を禁止する。 MXJ-8

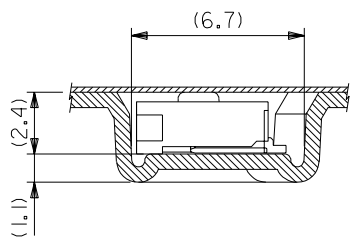
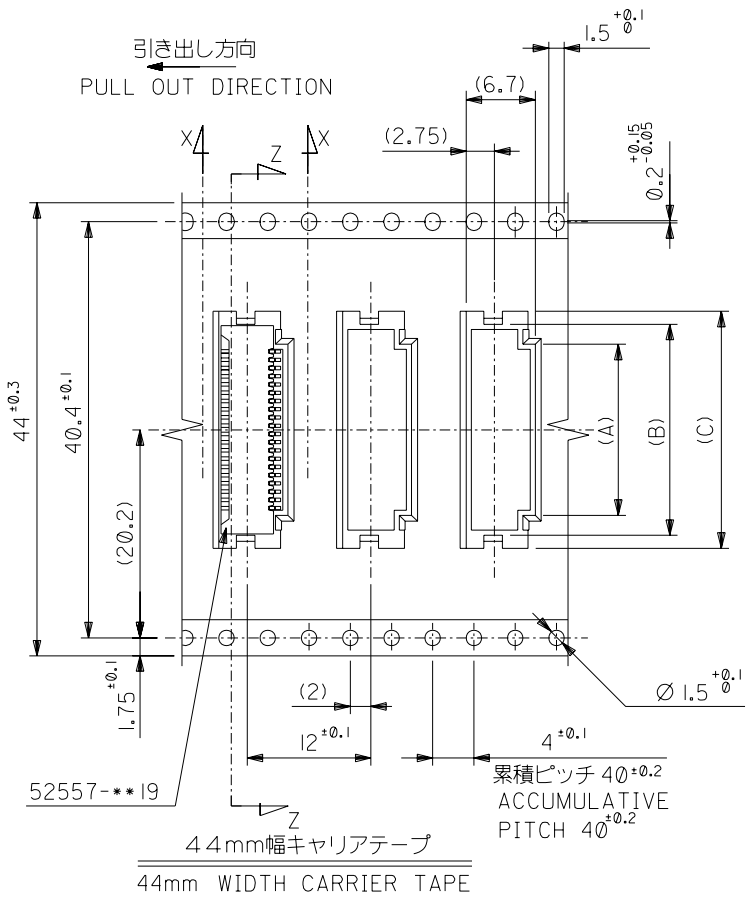
DIMENSIONS IN METRIC DO NOT SCALE DRAWING

ENG. NO.
SD-52557-010

EDP NO.



SECT. Z-Z



SECT. X-X

| | | | | | | | | |
|--|--------------------------------|----------------------------------|------|------|------|------|---|---------------|
| 52557-**-70 | 44 | 49.4 | 45.4 | 23.0 | 20.5 | 16.6 | 52557-2070 | 20 |
| MODEL NO. | キャリアテープ幅 CARRIER TAPE WIDTH | E | D | (C) | (B) | (A) | MATERIAL NO. | 極数 CIRCUIT |
| 材料 MATERIAL SHEET 1 OF 3 参照 REFER TO SHEET 1 OF 3 | | | | | | | molex MOLEX-JAPAN CO.,LTD. 日本モレックス株式会社 | |
| 仕上げ FINISH | | | | | | | EDP. NO. — | |
| 適用電線範囲 WIRE RANGE — | | | | | | | ENG. NO. (SHEET 3 OF 3) REV | |
| 被覆外径 INS. RANGE — | | | | | | | SD-52557-010 0 | |
| 角度 ANGLE | ±3° | DRAWN BY '04/03/15 H.KAWABATA | | | | | TITLE 名称 0.8 FFC Conn NON ZIF | |
| 30 以上 OVER | ±0.5 | CHK'D BY '04/03/15 K.TOJO | | | | | SMT Embstp pkg | |
| 10 以上 OVER | ±0.25 | APP'D BY '04/03/15 M.SASAO | | | | | -LEAD FREE- | |
| 30 未満 UNDER | ±0.25 | REVISION RECORD | | | | | SCALE — | |
| 10 未満 UNDER | ±0.2 | REVISION RECORD | | | | | SCALE — | |
| 一般公差 GENERAL TOLERANCES | | REVISE ONLY ON CAD SYSTEM | | | | | | |

THIS DRAWING CONTAINS INFORMATION THAT IS PROPRIETARY TO MOLEX(JAPAN) AND SHOULD NOT BE USED WITHOUT WRITTEN PERMISSION
本図面は日本モレックス(株)の所有する情報を含むもので 当社の許可なく複製を禁止する。