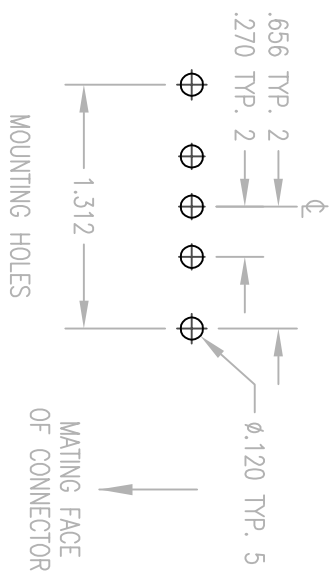
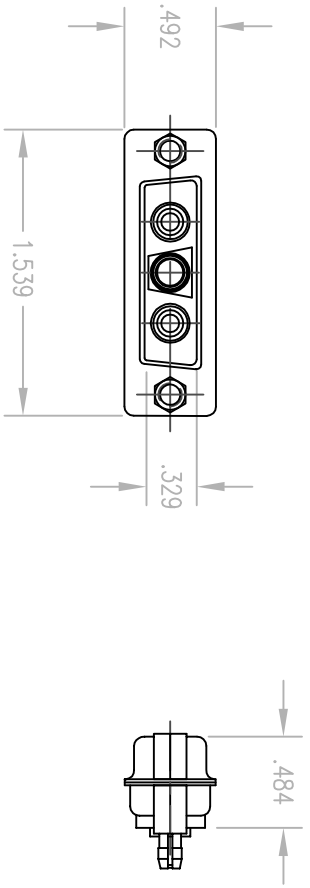
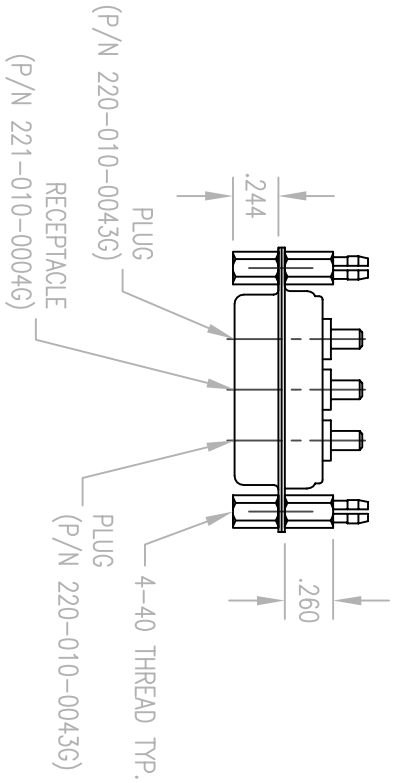


REV.	DESCRIPTION	DATE	BY	APP'D
2	NPR 1435	7/28/99		



- NOTES:
- MATERIALS  
 SHELL: STEEL PER ASTM A568  
 INSULATOR: GLASS FILLED POLYESTER  
 STAND OFFS & FEMALE SCREW LOCKS: COLD ROLLED STEEL  
 FOR CONTACT SPECIFICATIONS SEE CONTACT SALES DRAWING
  - PLATING:  
 SHELL, STAND OFFS, & FEMALE SCREW LOCKS: TIN PLATED PER ASTM B545  
 INSULATOR: BLACK  
 FOR CONTACT SPECIFICATIONS SEE CONTACT SALES DRAWING
  - FOR USE WITH .125 THICK PCB.

PER ASME Y14.5M-1994 UNLESS OTHERWISE SPECIFIED: DIMENSIONS ARE IN INCHES OR DECIMALS DIMENSIONS ARE IN MILLIMETERS OR INCHES/MILLIMETERS ANGLES ± Z° SCALE: 1:1		<b>Littion</b> Winchester Electronics/RETCONN 400 First Road Woodburn, Connecticut 06798	
CUSTOMER DRAWING		TITLE 3W3P D-SUB HOUSING (POLARIZED)	
DRAWN EJM APPROVED JMC	DATE 3/29/99 DATE 3/29/99	CHECKED JED APPROVED JMC	DATE 3/29/99 DATE 3/29/99
A	RM3W3P-1017	SHT.	1 OF 1 REV.