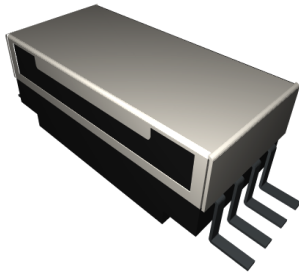


1E Low Profile Series

Miniature
Surface Mount

PRODUCT DESCRIPTIONS



Development philosophy with inherited reliability and assembly capacity of the 1E Series was put into succession of the 1E Low Profile Series. Gull-Wing and J-Lead achieved low height of 3.6mm. This series is already in mass production for the ATE, telecommunications, and other instrument markets with great acceptance for low height and reliability.

SPECIFICATIONS

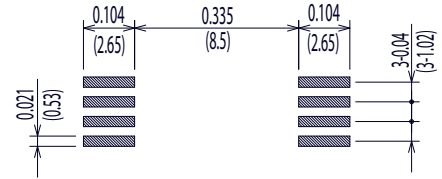
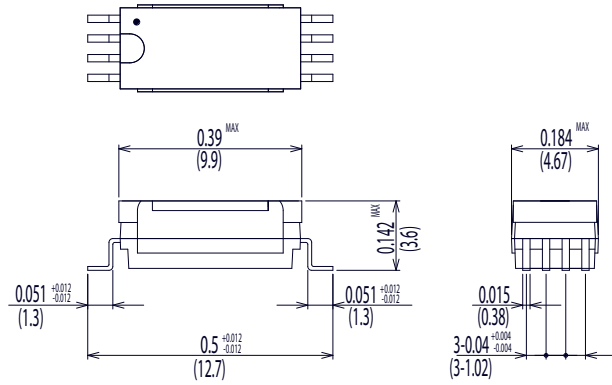


1E Low Profile Series		1E-14G-71	G: Gull-Wing, J: J-Lead
		1E-14J-71	
Parameters	Units	1 Form A	Test Conditions
Coil Specifications			
Nominal Coil Voltage	VDC	5.0	
Coil Resistance	Ω	150	$\pm 10\%$ @ 20°C
Operate Voltage	VDC Max	3.25	15°C to 35°C
Release Voltage	VDC Min	0.7	15°C to 35°C
Contact Ratings			
Switching Voltage	Volts	100	Max DC/Peak AC resistance
Switching Current	Amps	0.5	Max DC/Peak AC resistance
Carry Current	Amps	1.0	Max DC/Peak AC resistance
Contact Rating	Watts	10	Max DC/Peak AC resistance
Life Expectancy	$\times 10^6$ Cycle	300	@ 1V 10mA
Contact Resistance	m Ω	150	Max initial @ operate voltage
Contact Resistance Stability	m Ω	5.0	Max initial @ operate voltage
Relay Specifications			
Insulation Resistance	Ω Min	10 ¹¹	Between all isolated pins @ 100V 20°C 40%RH
Dielectric Strength	VDC Min	200	Between contacts
	VDC Min	250	Contacts to shield
	VDC Min	250	Contacts/Shield to coil
Operate Time (Including Bounce)	msec Max	0.3	@ nominal coil voltage
Release Time	msec Max	0.05	100Hz square wave Diode suppression
Environmental Ratings			
Measurement Reference Conditions			
Temp: 15°C to 35°C		Storage temp: -40°C to +85°C	
Humidity: 25% to 75%RH		Operate temp: -20°C to +80°C	
Atmospheric Pressure: 860 to 1060hpa		Vibration: 20G's to 2000Hz	
		Shock: 50G's	

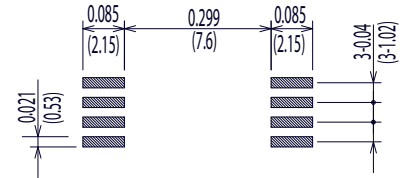
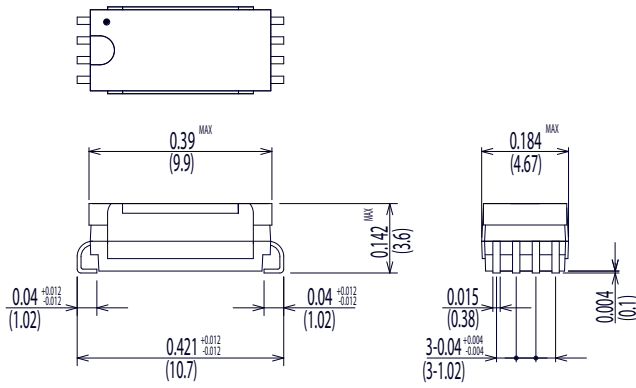
Dimensions All Dimensions are inches (mm)

Land Pattern Recommendation

1E-14G-71



1E-14J-71



Schematic <Top View>

