

# Customer Information Sheet

DRAWING No.: M22-203XXXX

SHEET 2 OF 2

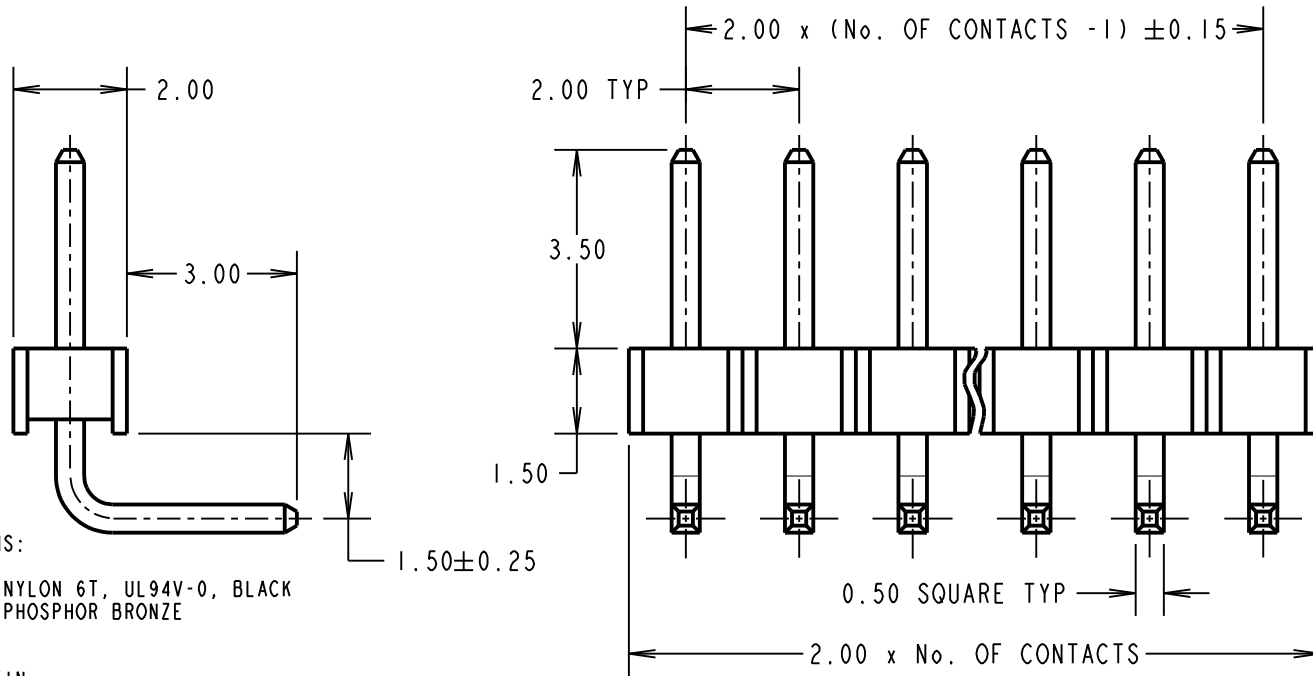
IF IN DOUBT - ASK

©

NOT TO SCALE

THIRD ANGLE PROJECTION

ALL DIMENSIONS IN mm



ORDER CODE:  
**M22-203XXXX**  
 No. OF CONTACTS: \_\_\_\_\_  
 02 TO 25, 50  
 FINISH: \_\_\_\_\_  
 05 = GOLD OVER NICKEL  
 46 = 100% TIN OVER NICKEL

**SPECIFICATIONS:**

**MATERIAL:**  
 MOULDING = NYLON 6T, UL94V-0, BLACK  
 CONTACTS = PHOSPHOR BRONZE

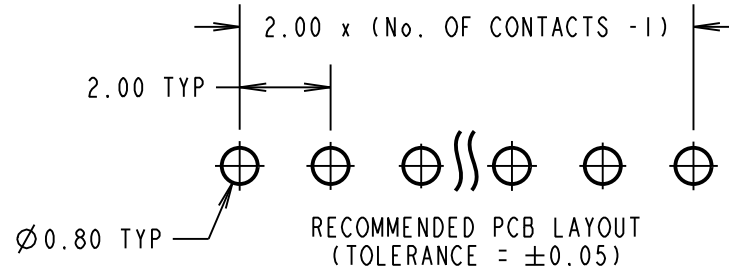
**FINISH:**  
 05 = GOLD  
 46 = 100% TIN

**ELECTRICAL:**  
 CURRENT RATING = 2A  
 VOLTAGE PROOF = 650V AC  
 CONTACT RESISTANCE = 20mΩ MAX  
 INSULATION RESISTANCE (INITIAL) = 1,000MΩ MIN

**MECHANICAL:**  
 DURABILITY = 300 OPERATIONS (GOLD), 50 OPERATIONS (TIN)  
 INSERTION FORCE = 2N MAX  
 WITHDRAWAL FORCE = 0.3N MIN

**ENVIRONMENTAL:**  
 TEMPERATURE RANGE = -40°C TO +105°C

**PACKING:**  
 BAG  
 FOR COMPLETE SPECIFICATION, SEE  
 COMPONENT SPECIFICATION C018XX (LATEST ISSUE)



**NOTES:**

1. ALL TOLERANCES ARE ±0.20 UNLESS OTHERWISE STATED.

FM	12	17.01.18	21036
NAME	ISS.	DATE	C/NOTE
APPROVED:		F. MCGOWAN	
CHECKED:		S. BENNETT	
DRAWN:		P. D. COLLINS	
CUSTOMER REF.:			
ASSEMBLY DRG:			

**HARWIN**

www.harwin.com  
 technical@harwin.com

THIS DRAWING AND ANY INFORMATION OR DESCRIPTIVE MATTER SET OUT HEREON ARE CONFIDENTIAL AND COPYRIGHT PROPERTY OF THE HARWIN GROUP AND MUST NOT BE DISCLOSED, LOANED, COPIED OR USED FOR MANUFACTURING, TENDERING OR FOR ANY OTHER PURPOSE WITHOUT THEIR WRITTEN PERMISSION.

**TOLERANCES**  
~~X = ±1mm~~  
~~X.X = ±0.50mm~~  
~~X.XX = ±0.10mm~~  
~~X.XXX = ±0.01mm~~  
 ANGLES = ±5°  
 UNLESS STATED

**MATERIAL:**  
 SEE ABOVE  
**FINISH:** SEE ABOVE  
**S/AREA:** mm<sup>2</sup>

**TITLE:**  
 2.00mm PITCH SIL HORIZONTAL  
 PC TAIL PIN HEADER ASSEMBLY  
**DRAWING NUMBER:**  
**M22-203XXXX**  
 SHT 2 OF 2