



**Size 10x10 mm**

**Rated inductance 1  $\mu$ H .. 1000  $\mu$ H**

### Construction

- Ferrite core
- Winding: enamel copper wire
- Winding welded to terminals

### Features

- Wide temperature range
- Very high rated current
- Low DC resistance
- Suitable for reflow soldering

### Applications

- Filtering of supply voltages
- Coupling, decoupling
- DC/DC converters
- Automotive electronics

### Terminals

- Leadfree tinned

### Marking

Marking on component:

Manufacturer

L value (in  $\mu$ H) and tolerance (coded)

date of manufacture (coded)

Minimum marking on reel:

Manufacturer, part number, ordering code,

L value and tolerance

quantity, date of packing

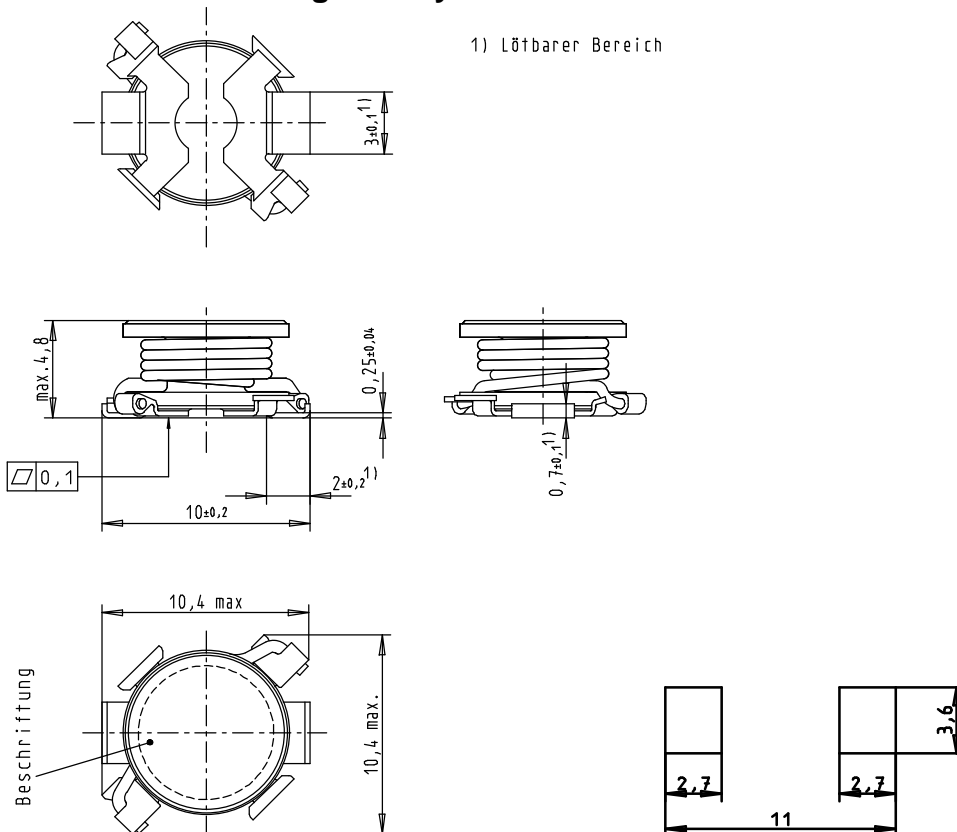
### Delivery mode

Blister tape 16mm, reel packing

packaging quantity 750 pcs per reel


**General technical data**

Rated inductance $L_R$	Measured with HP 4294A, measuring voltage 100 mV
Rated current $I_R$	Maximum permissible DC with temperature increase of $\leq 40$ K at ambient temperature of 85 °C
Saturation current $I_{sat}$	Maximum permissible DC with inductance decrease- $\Delta L/L_0 \approx 10\%$
Self-resonance frequency $f_{res}$	Typical self-resonance frequency measured with network analyzer HP 8753
Climatic category	In accordance with IEC 60068-1 55/125/56 (-55 °C/ +125 °C/ 56 days damp heat test)
Solderability	5s, 235°C, wetting > 90%
Resistance to soldering heat	acc. to IEC 60068-2-58, leadfree reflow soldering profile
DC resistance $R_{max}$	Measured at 20 °C ambient temperature
Weight	Approx. 1,5g

**Dimensional drawing and layout recommendation**



**Characteristics and ordering codes**

$L_R$ $\mu\text{H}$	$f_L$ MHz	Tolerance	$I_{\text{Sat}}$ A	$I_R$ A	$R_{\text{max}}$ $\Omega$	$f_{\text{res}}$ MHz	Ordering code
1,0	0,1	20 %	11	7,00	0,009	120	B82464-A4102-M
1,5	0,1	20 %	9,8	6,50	0,010	80	B82464-A4152-M
2,2	0,1	20 %	8,4	5,70	0,012	60	B82464-A4222-M
3,6	0,1	20 %	6,6	4,90	0,015	50	B82464-A4362-M
4,7	0,1	20 %	5,6	4,30	0,018	42	B82464-A4472-M
6,8	0,1	20 %	4,7	3,50	0,027	30	B82464-A4682-M
10	0,1	20 %	3,9	2,90	0,038	24	B82464-A4103-M
15	0,1	10 %	3,2	2,50	0,046	18	B82464-A4153-K
22	0,1	10 %	2,6	2,10	0,085	15	B82464-A4223-K
33	0,1	10 %	2,2	1,80	0,10	13	B82464-A4333-K
47	0,1	10 %	1,8	1,50	0,14	11	B82464-A4473-K
68	0,1	10 %	1,5	1,25	0,20	9,0	B82464-A4683-K
100	0,1	10 %	1,2	1,03	0,28	8,0	B82464-A4104-K
150	0,1	10 %	1,0	0,86	0,40	6,0	B82464-A4154-K
220	0,1	10 %	0,85	0,69	0,61	5,0	B82464-A4224-K
330	0,1	10 %	0,70	0,58	1,00	4,0	B82464-A4334-K
470	0,1	10 %	0,55	0,50	1,27	3,2	B82464-A4474-K
680	0,1	10 %	0,45	0,40	2,00	2,5	B82464-A4684-K
1000	0,1	10 %	0,38	0,33	3,00	2,0	B82464-A4105-K

B82464-XXXX-X: current derating versus ambient temperature

