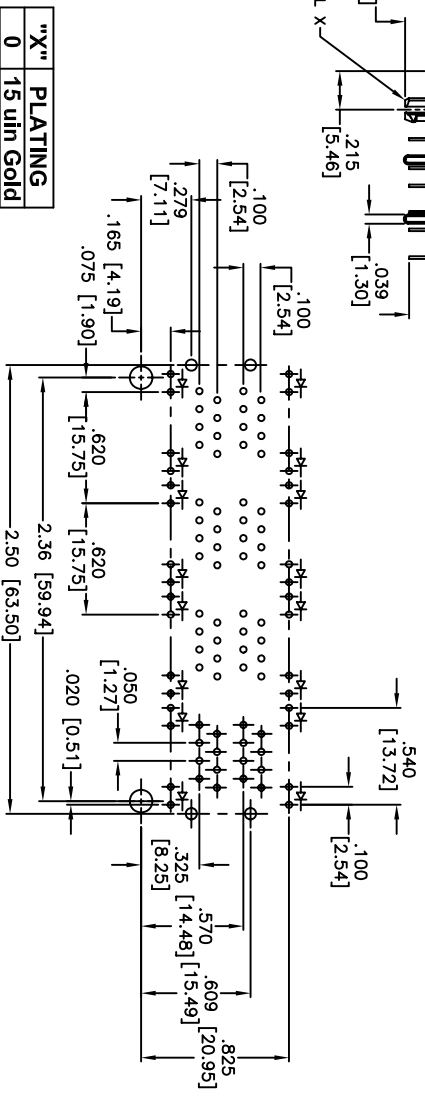
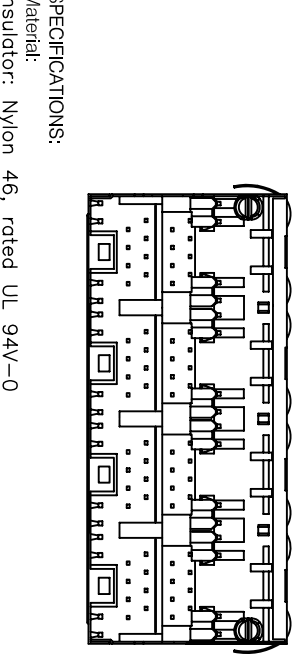
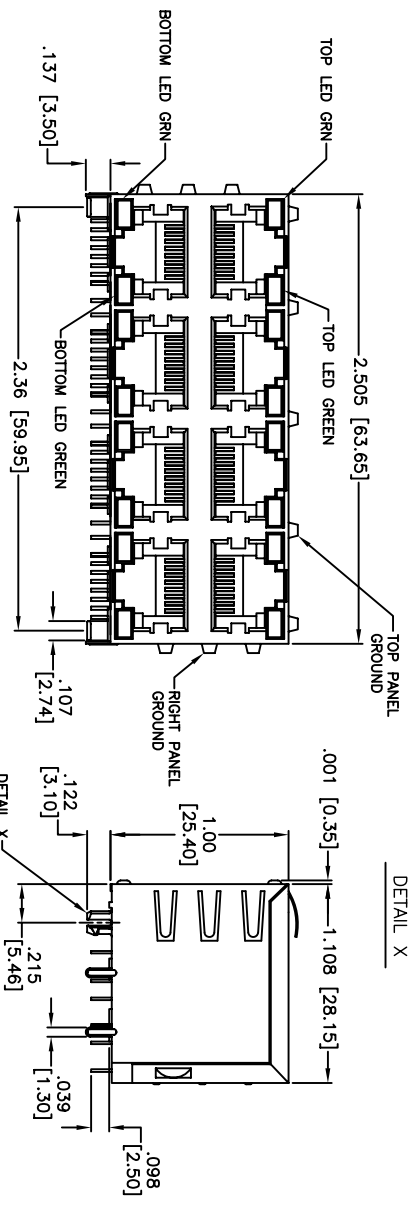
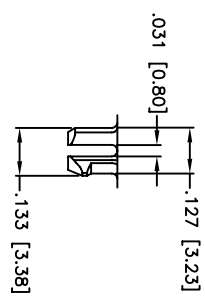
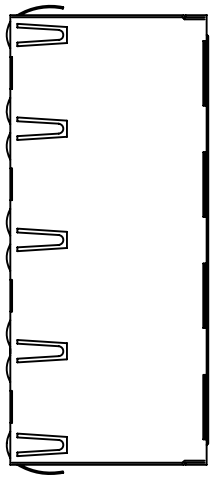


Rev	AWO #	Description	Date	Appr
-	7731	RELEASED	4/18/07	

APPROVED: _____
 DATE: _____ TITLE: _____



"X"	PLATING
0	15 uin Gold
1	30 uin Gold
2	50 uin Gold

RECOMMENDED P.C.B. LAYOUT

SPECIFICATIONS:

Material:

Insulator: Nylon 46, rated UL 94V-0

Insulator color: Black

Contacts: Phosphor Bronze

Shield: Copper Alloy, Tin plated

Plating:

X plating over Nickel underplate on contact area, Tin over Copper underplate on solder tails

Electrical:

Operating voltage: 150 VAC max

Current rating: 1.5 Amps max

Insulation resistance: 500 Mohms min @ 500 VDC

Dielectric withstanding voltage: 1000 VAC for 1 minute

Temperature Rating:

Operating temperature: -40°C to +125°C

Environmental:

Lead free, RoHS Compliant

Recommended soldering temp: 235°C for 5 seconds

ADAM TECH

909 Railway Avenue, Union, NJ 07083
 Phone: 908-687-5000 Fax: 908-687-5710

MODULAR JACK GANGED, 8 PORT, 8P8C
 LED GREEN / GREEN

UNLESS OTHERWISE SPECIFIED ALL DIMENSIONS ARE MM [INCHES] TOLERANCES: EXCEPT AS NOTED		DRAWN: BW		DATE: 4/18/07	
INCHES		HOLDERS		TITLE: MODULAR JACK GANGED, 8 PORT, 8P8C	
.X	± .10	ØX	± .10	PART NO. MTJG-8-88JX1-FSG-PG-LD	
.XX	± .020	ØXXX	± .015	SIZE: X	REV.:
.XXX	± .015	ØXXX	± .010	CHECKED:	SCALE: NTS
APPROVALS:		DATE:		APP.:	SHEET 1 OF 1
DRAWN:		DATE:		REV.:	
CHECKED:		DATE:			
APP.:		DATE:			

