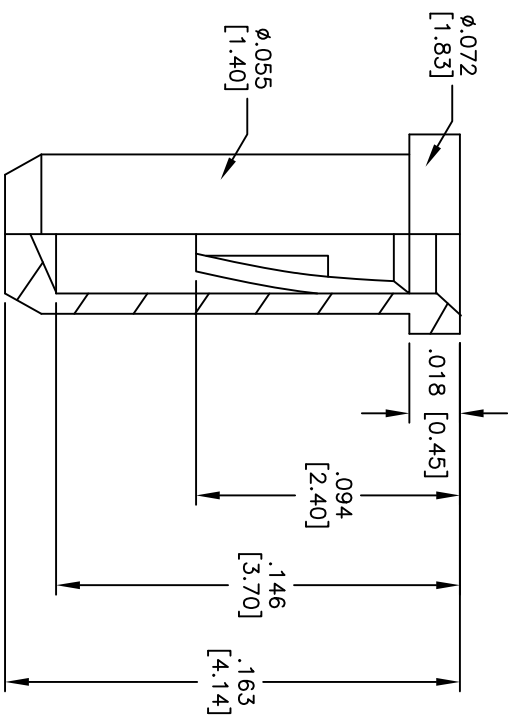


Rev	AWO #	Description	Date	Appr
-		RELEASED	5/05/10	

APPROVED: \_\_\_\_\_  
 DATE: \_\_\_\_\_ TITLE: \_\_\_\_\_



**SPECIFICATIONS:**

Material: \_\_\_\_\_  
 Sleeve material: Brass Alloy 360, 1/2H plated: Gold or Tin Lead  
 Contact material: BeCu Alloy 172, HT plated: Gold Over Nickel.  
 Operation Temp.: -55°C to +125°C  
 Pin Receptacle: 0.40~0.56mm Dia.  
 Solder mont: 1.44mm Dia. Mounting Hole.

UNLESS OTHERWISE SPECIFIED  
 ALL DIMENSIONS ARE INCHES [MM]  
 TOLERANCES EXCEPT AS NOTED INCHES

.X	± .10	ØXX	± .10
.XX	± .020	ØXXX	± .015
.XXX	± .015	ØXXXX	± .010

APPROVALS

DRAWN	DY	5/05/10
CHECKED		
APPROVED		

**ADAM TECH**  
 909 Rahway Avenue, Union, NJ 07083  
 Phone: 908-687-5000 Fax: 908-687-5710

TITLE: PIN RECEPTACLES

SIZE	PART NO.	SCALE	SHEET	REV.
X	SMS-001-GT	NIS	1 OF 1	
REF: S0038T				