

PLEASE CHECK WWW.MOLEX.COM FOR LATEST PART INFORMATION

Part Number: [0099990992](#)
Status: **Active**
Description: 2.50mm (.098") Pitch SPOX™ Wire-to-Board Header, Vertical, Shrouded, 8 Circuits, Tin (Sn) Plating, with Swaged PC Tails

Documents:

[3D Model](#) [Product Specification PS-5264-001 \(PDF\)](#)
[Drawing \(PDF\)](#) [RoHS Certificate of Compliance \(PDF\)](#)

Agency Certification

CSA LR19980
 UL E29179

General

Product Family PCB Headers
 Series [5267](#)
 Application Wire-to-Board
 Product Name SPOX™

Physical

Breakaway No
 Circuits (Loaded) 8
 Circuits (maximum) 8
 Color - Resin Natural
 Durability (mating cycles max) 30
 First Mate / Last Break No
 Flammability 94V-0
 Glow-Wire Compliant No
 Guide to Mating Part No
 Keying to Mating Part None
 Lock to Mating Part Yes
 Material - Plating Mating Tin
 Material - Plating Termination Tin
 Material - Resin Nylon
 Number of Rows 1
 Orientation Vertical
 PC Tail Length (in) 0.138 In
 PC Tail Length (mm) 3.50 mm
 PCB Locator No
 PCB Retention Yes
 PCB Thickness Recommended (in) 0.062 In
 PCB Thickness Recommended (mm) 1.60 mm
 Packaging Type Bag
 Pitch - Mating Interface (in) 0.098 In
 Pitch - Mating Interface (mm) 2.50 mm
 Plating min: Mating (µin) 160
 Plating min: Mating (µm) 4
 Plating min: Termination (µin) 160
 Plating min: Termination (µm) 4
 Polarized to Mating Part Yes
 Polarized to PCB No
 Shrouded Fully
 Stackable No
 Surface Mount Compatible (SMC) No
 Temperature Range - Operating -40°C to +105°C
 Termination Interface: Style Through Hole



EU RoHS

ELV and RoHS Compliant
REACH SVHC
 Not Reviewed
Halogen-Free Status

China RoHS



Not Halogen-Free

Need more information on product environmental compliance?

Email productcompliance@molex.com
 For a multiple part number RoHS Certificate of Compliance, [click here](#)

Please visit the [Contact Us](#) section for any non-product compliance questions.

Search Parts in this Series

[5267Series](#)

Mates With

[5264](#) SPOX™ Wire-to-Board Crimp Terminal, [42219](#) SPOX™ IDT Receptacle Housing

Electrical

Current - Maximum per Contact
Voltage - Maximum

3A
250V

Material Info

Old Part Number

5267-08A-X

Reference - Drawing Numbers

Product Specification

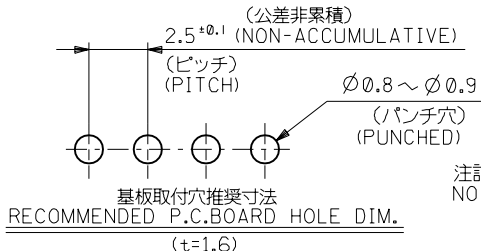
PS-5264-001, RPS-5264-003, RPS-5264-004,
RPS-5264-005, RPS-5264-006, RPS-5264-007

Sales Drawing

SD-5267-NA-X

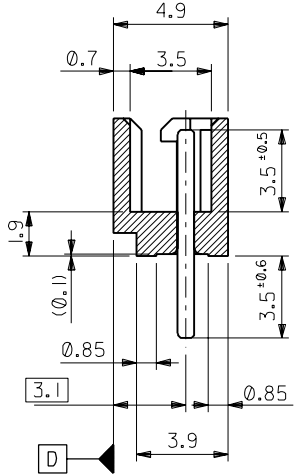
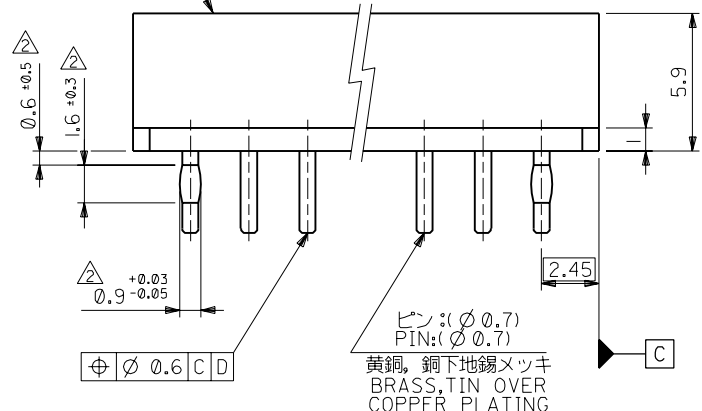
This document was generated on 04/15/2010

PLEASE CHECK WWW.MOLEX.COM FOR LATEST PART INFORMATION



注記 NOTES:
 1. 嵌合相手: 5264 シリーズ
 MATES WITH: 5264 SERIES.
 △ 両端のPINのみ適用。
 APPLIES: PIN, BOTH ENDS

ウエハー: 66ナイロン。ガラス入り, UL 94V-0
 WAFER: 66NYLON, GLASS REINFORCED, UL 94V-0



39.9	38.5	35	99-99-0999	5267-15A-X	15
37.4	36	32.5	-0998	-14A-X	14
34.9	33.5	30	-0997	-13A-X	13
32.4	31	27.5	-0996	-12A-X	12
29.9	28.5	25	-0995	-11A-X	11
27.4	26	22.5	-0994	-10A-X	10
24.9	23.5	20	-0993	-09A-X	9
22.4	21	17.5	-0992	-08A-X	8
19.9	18.5	15	-0991	-07A-X	7
17.4	16	12.5	-0990	-06A-X	6
14.9	13.5	10	-0989	-05A-X	5
12.4	11	7.5	-0988	-04A-X	4
9.9	8.5	5	-0987	-03A-X	3
7.4	6	2.5	99-99-0986	5267-02A-X	2
C	B	A	EDP NO.	ENG. NO.	極数 NO OF CKT.

角度 ANGLE	±3°				
30以上 OVER	+0.3	G	変更 REVISD (JC60688)	Y.M.	96/3/26
10以上 30未満 UNDER	+0.25	F	変更 (J10590)	K.T.	91/7/26
10未満 UNDER	+0.2	E	変更及び再作図 (J80546)	Y.M.	92/0/88
一般公差 GENERAL TOLERANCES		記号 LTR	変更内容 REVISION RECORD	DR. CHK.	日付 DATE

材料 MATERIAL

仕上げ FINISH

適用電線範囲 WIRE RANGE

被覆外径 INS. RANGE

DRAWN BY 6/20/88 Y.MIZUNO
 APP'D BY 96/03/26 Y.MIZUNO
 M.FUKUSHIMA

材料 MOLEX-JAPAN CO.,LTD.
 日本モレックス株式会社

REVISE ONLY ON CAD SYSTEM

TITLE 名称
 2.5 LOW PROFILE
 WAFER ASS'Y WITH COIN

DWG. NO. SD-5267-NA-X
 REV G