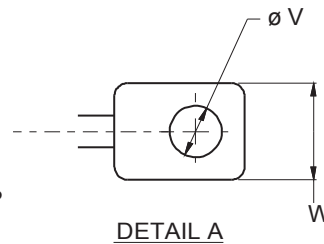
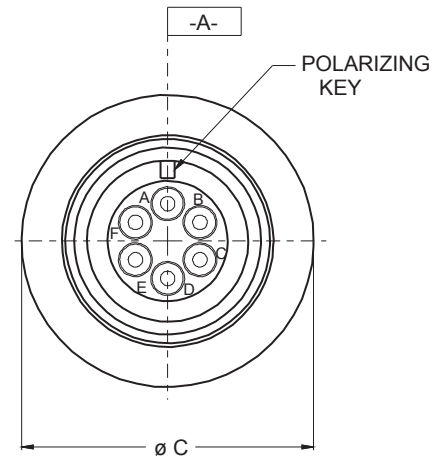
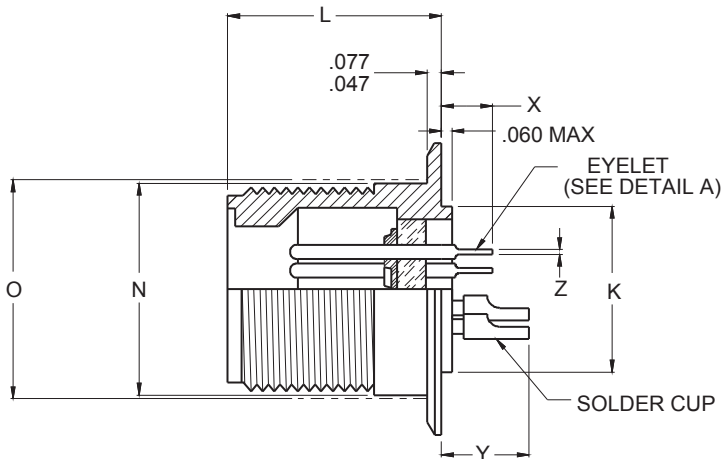


## 250-014 Hermetic Receptacle, Solder Mount MIL-DTL-5015 Type (MS3143)

### HOW TO ORDER:

EXAMPLE: 250-014 Z1 14 - 6 P X  
 BASIC PART NUMBER  
 MATERIAL DESIGNATION  
 FT - FUSED TIN OVER FERROUS STEEL  
 Z1 - PASSIVATED STAINLESS STEEL  
 SHELL SIZE  
 INSERT ARRANGEMENT PER MIL-STD-1651  
 TERMINATION TYPE  
 P - SOLDER CUP  
 X - EYELET  
 ALTERNATE INSERT POSITION  
 W, X, Y, OR Z  
 OMIT FOR NORMAL



CONTACT SIZE	X MAX.	Y MAX.	Z MIN.	V MIN.	W MAX.
16	.219 (5.6)	.375 (9.5)	.020 (0.5)	.065 (1.7)	.115 (2.9)
12	.281 (7.1)	.516 (13.1)	.020 (0.5)	.096 (2.4)	.190 (4.8)
8	-	.719 (18.3)	-	-	-
4	-	.980 (24.9)	-	-	-
0	-	.980 (24.9)	-	-	-

### NOTES:

- MATERIAL/FINISH:  
 SHELL: FT - FUSED TIN OVER CARBON STEEL  
 Z1 - PASSIVATED STAINLESS STEEL  
 CONTACTS: 52 NICKEL ALLOY/ GOLD PLATE  
 SEALS: SILICONE ELASTOMER  
 INSULATION: GLASS BEADS, NOIBN
- ASSEMBLY TO BE IDENTIFIED WITH GLENAIR'S NAME, PART NUMBER AND DATE CODE SPACE PERMITTING.
- PERFORMANCE:  
 HERMETICITY:  $<1 \times 10^{-6}$  SCCHE/SEC @ 1 ATMOSPHERE DIFFERENTIAL  
 DIELECTRIC WITHSTANDING VOLTAGE: SEE TABLE ON SHEET #2  
 INSULATION RESISTANCE: 5000 MEGOHMS MIN @ 500VDC
- GLENAIR 250-014 WILL MATE WITH ANY MIL-C-5015 SERIES THREADED COUPLING PLUG OF SAME SIZE AND INSERT POLARIZATION

250-014  
Hermetic Receptacle, Solder Mount  
MIL-DTL-5015 Type (MS3143)



MIL-DTL-5015

PATTERN NUMBER	CONTACT SIZE AND QUANTITY					SERVICE RATING
	16 GA	12 GA	8 GA	4 GA	0 GA	
8S-1	1					A
10S-2	1					A
10SL-3	3					INST
10SL-4	4					A
12S-3	2					A
12S-4	1					D
14S-1	3					A
14S-2	4					INST
14S-4	1					O
14S-5	5					INST
14S-6	6					INST
14S-7	3					A
14S-9	2					A
16S-1	7					A
16S-3	1					B
16S-4	2					D
16S-5	3					A
16S-6	3					A
16S-8	5					A
16-9	2	2				A
16-10		3				A
16-11		2				A
18-1	10					A/INST
18-4		4				D
18-8	7	1				A
18-9	5	2				INST
18-10		4				A
18-11		5				A
18-12	6					A
20-4		4				D
20-7	8					D/A
20-8	4					INST
20-14		3				A
20-15		7				A
20-16	7	2				A
20-17	1	5				A
20-18	6	3				A
20-19			3			A

PATTERN NUMBER	CONTACT SIZE AND QUANTITY					SERVICE RATING
	16 GA	12 GA	8 GA	4 GA	0 GA	
20-22	3		3			A
20-24	2		2			A
20-27	14					A
20-29	17					A
20-33	11					A
22-2			3			D
22-5	4	2				D
22-9		3				E
22-14	19					A
22-18	8					A/D
22-19	14					A
22-20	9					A
22-22			4			A
22-23		8				D/A
24-2		7				D
24-4	3					D
24-7	14	2				A
24-10			7			A
24-11		6	3			A
24-19	12					A
24-20	9	2				D
24-27	7					E
24-28	24					INST
28-9	6	6				D
28-11	18	4				A
28-12	26					A
28-15	35					A
28-17	15					B/D/A
28-20	4	10				A
28-21	37					A
32-6	3	2	3	2		A
32-7	28	7				INST/A
32-8	24	6				A
32-15		6			2	D
32-17				4		D
36-5					4	A
36-7	40	7				A
36-9	14	14	2	1		A
36-10	48					A

SIZE	C ∅ ±.010 (±0.3)	K ∅ ±.010 (±0.3)	L MAX		∅ N +.000 -.062 (+0 - 1.6)	∅ O (REF) MTG HOLE
			CONTACT SIZE			
			16, 12 & 8	4 & 0		
8S	.750 (19.1)	.428 (10.9)	.730 (18.5)		.532 (13.5)	.562 (14.3)
10S	.875 (22.2)	.490 (12.4)	.730 (18.5)		.656 (16.7)	.688 (17.5)
10SL	.875 (22.2)	.490 (12.4)	.730 (18.5)		.656 (16.7)	.688 (17.5)
12S	1.000 (25.4)	.646 (16.4)	.730 (18.5)		.782 (19.9)	.812 (20.6)
12	1.000 (25.4)	.646 (16.4)	.915 (23.2)		.782 (19.9)	.812 (20.6)
14S	1.125 (28.6)	.709 (18.0)	.730 (18.5)		.906 (23.0)	.938 (23.8)
14	1.125 (28.6)	.709 (18.0)	.915 (23.2)		.906 (23.0)	.938 (23.8)
16S	1.250 (31.8)	.834 (21.2)	.730 (18.5)	1.040 (26.4)	1.032 (26.2)	1.062 (27.0)
16	1.250 (31.8)	.834 (21.2)	.915 (23.2)		1.032 (26.2)	1.062 (27.0)
18	1.375 (34.9)	.959 (24.4)			1.156 (29.4)	1.188 (30.2)
20	1.500 (38.1)	1.146 (29.1)			1.282 (32.6)	1.312 (33.3)
22	1.625 (41.3)	1.240 (31.5)			1.406 (35.7)	1.438 (36.5)
24	1.750 (44.5)	1.365 (34.7)			1.532 (38.9)	1.562 (39.7)
28	2.000 (50.8)	1.615 (41.0)			1.782 (45.3)	1.812 (46.0)
32	2.250 (57.2)	1.865 (47.4)			2.032 (51.6)	2.062 (52.4)
36	2.500 (63.5)	2.115 (53.7)			2.282 (58.0)	2.312 (58.7)
40	2.750 (69.9)	2.365 (60.1)			2.532 (64.3)	2.562 (65.1)
44	3.000 (76.2)	2.615 (66.4)			2.782 (70.7)	2.812 (71.4)
48	3.250 (82.6)	2.865 (72.8)	.915 (23.2)	1.040 (26.4)	3.032 (77.0)	3.062 (77.8)

SERVICE RATING	WORKING VOLTAGES (VOLTS-RMS)
INST	200
A	500
D	900
E	1250
B	1750
C	3000