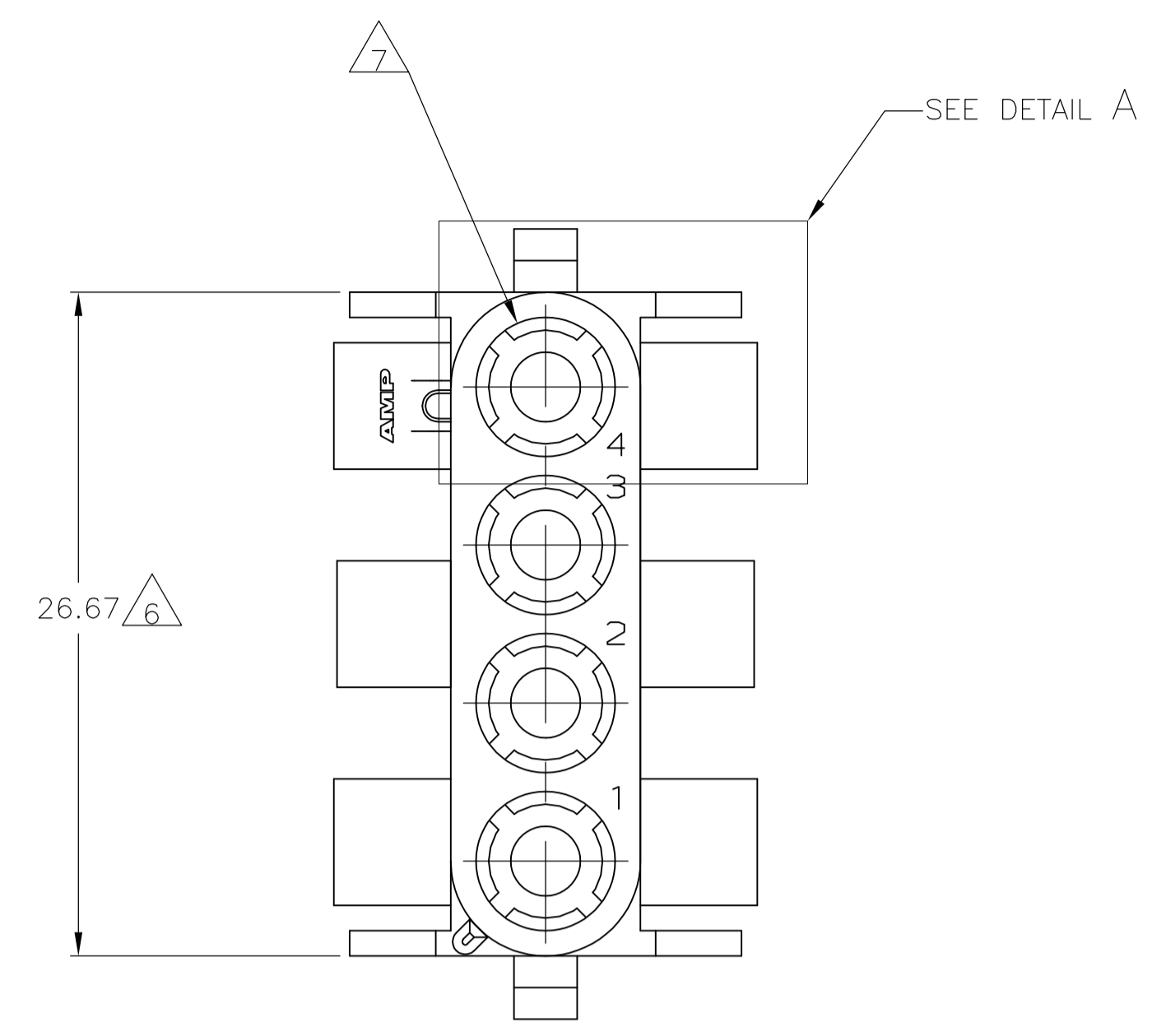
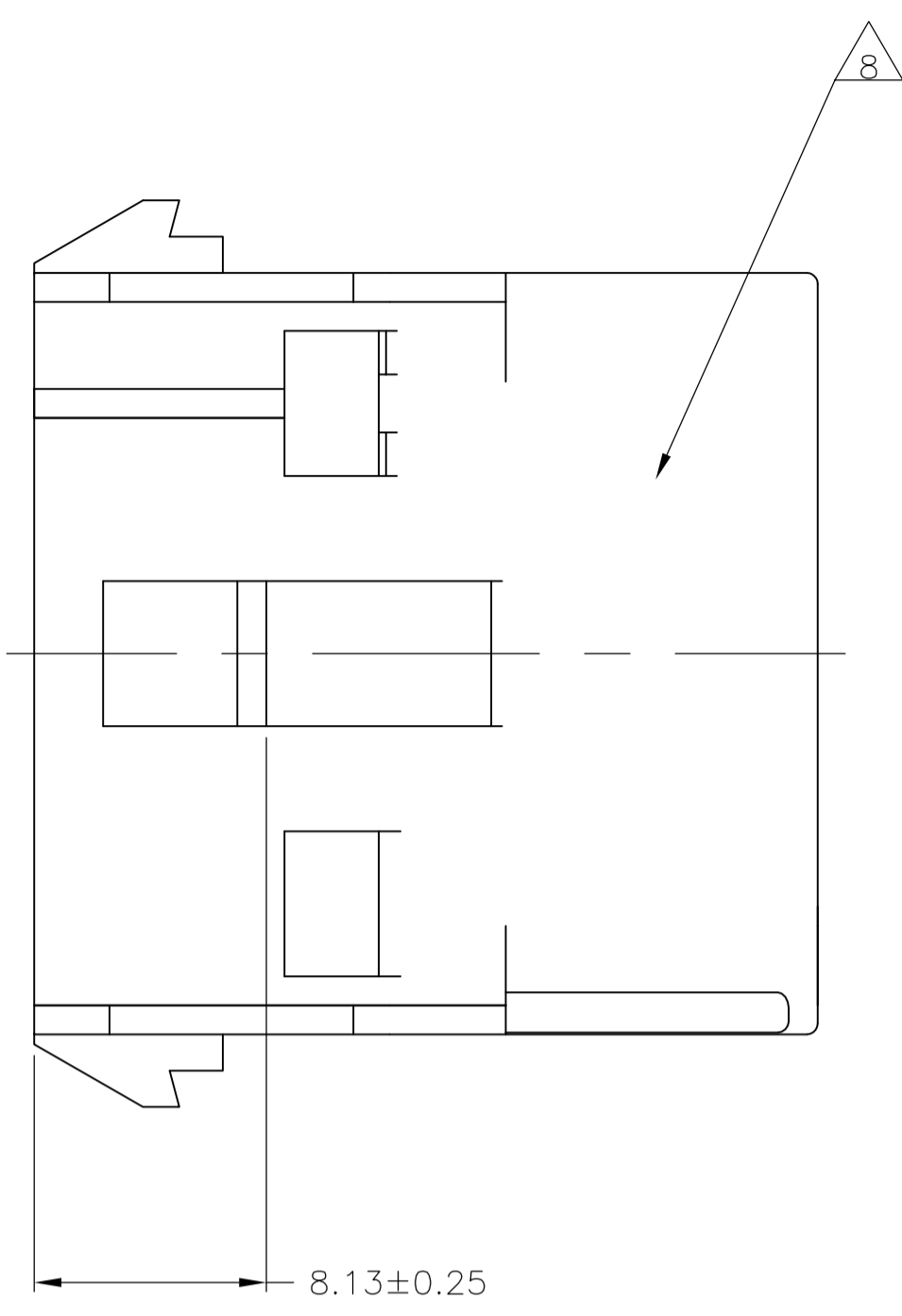
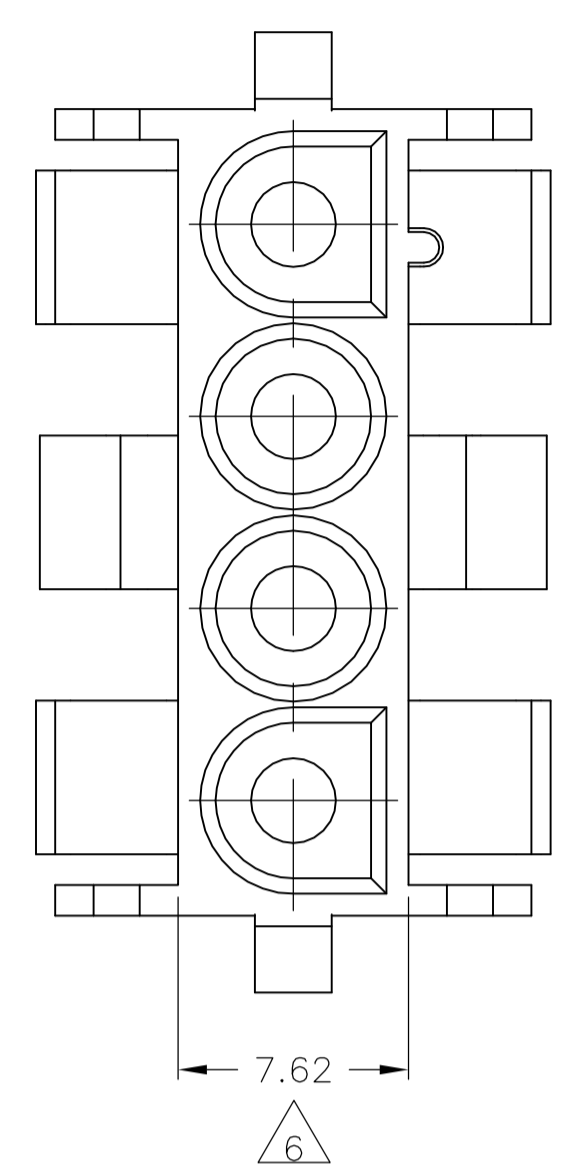
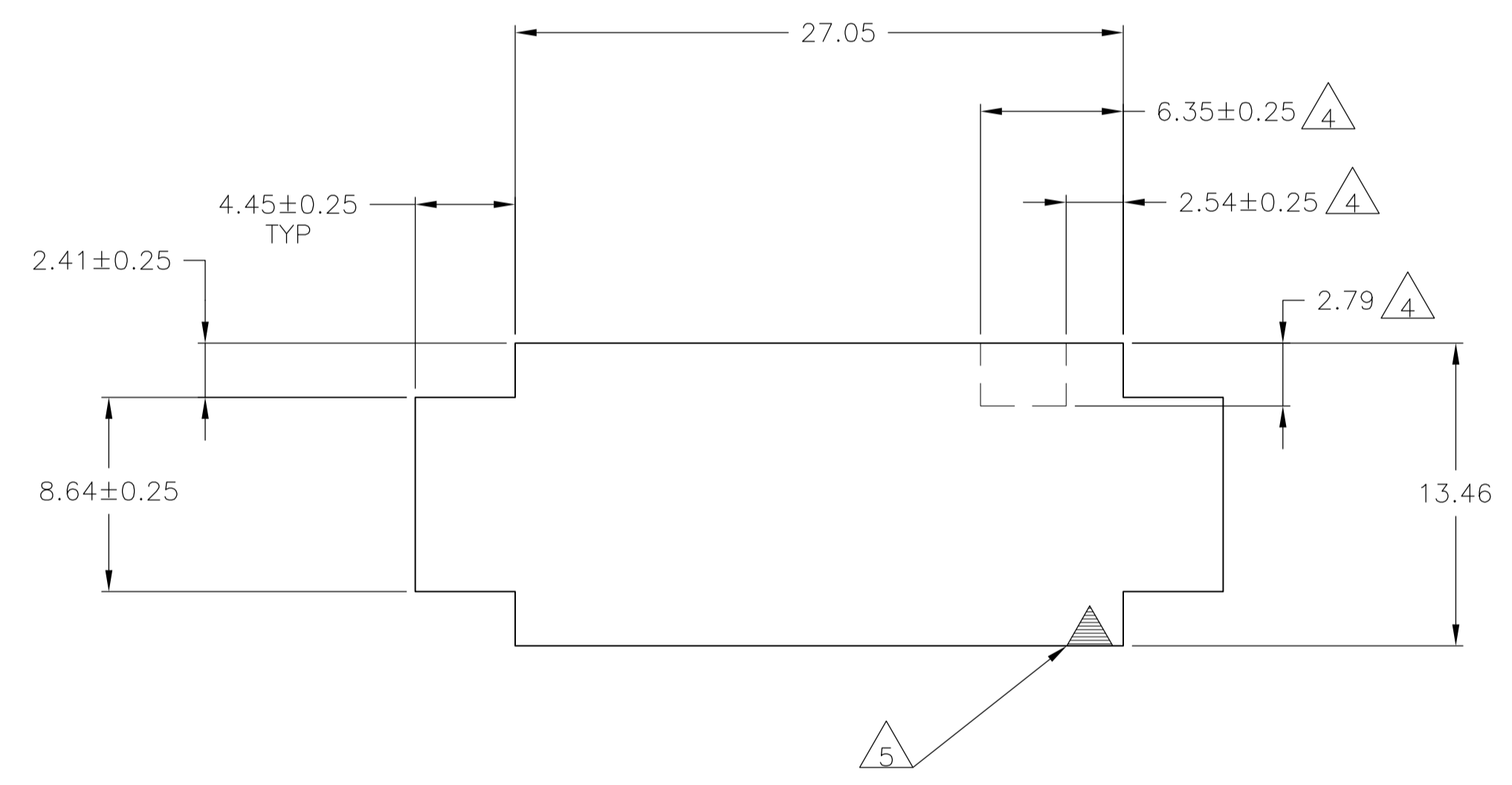
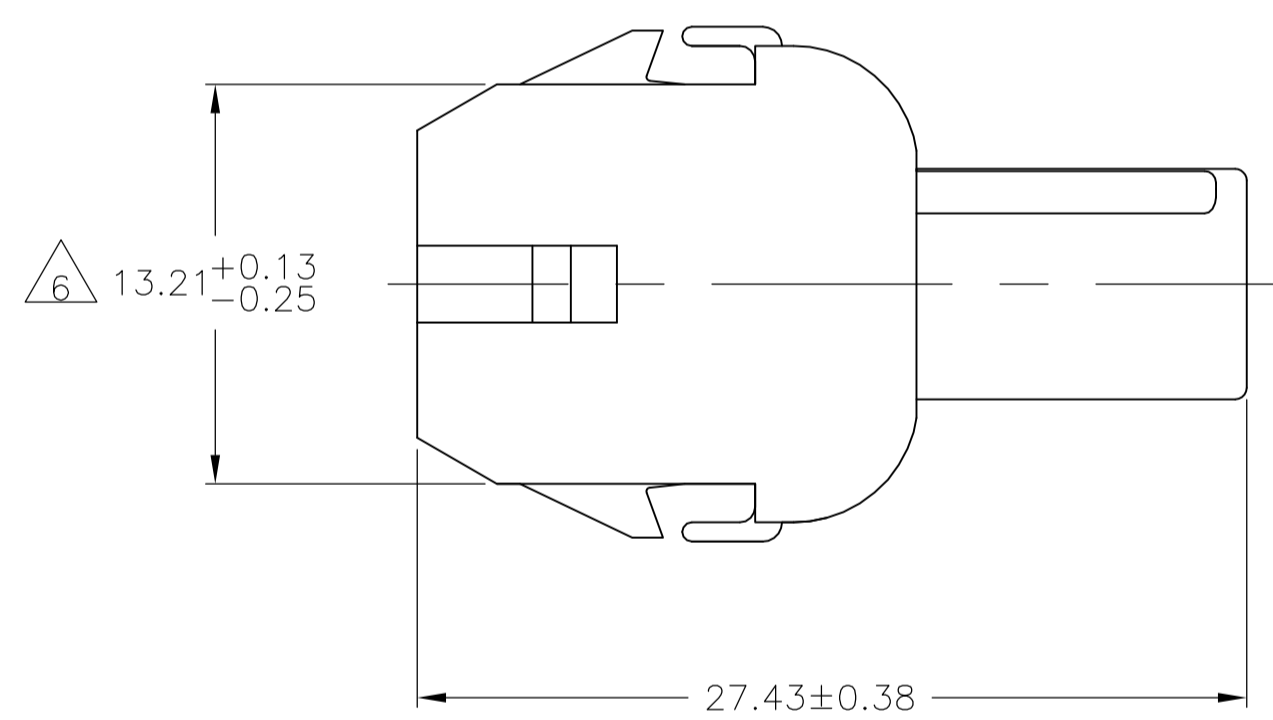
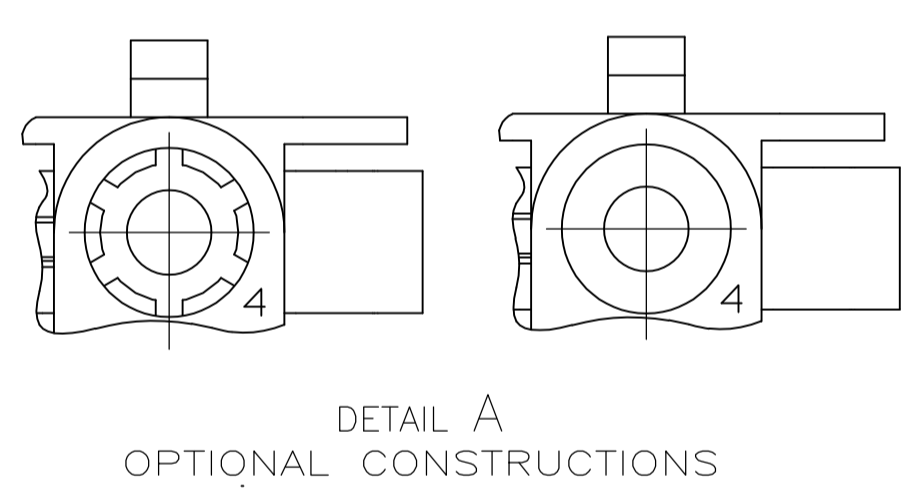


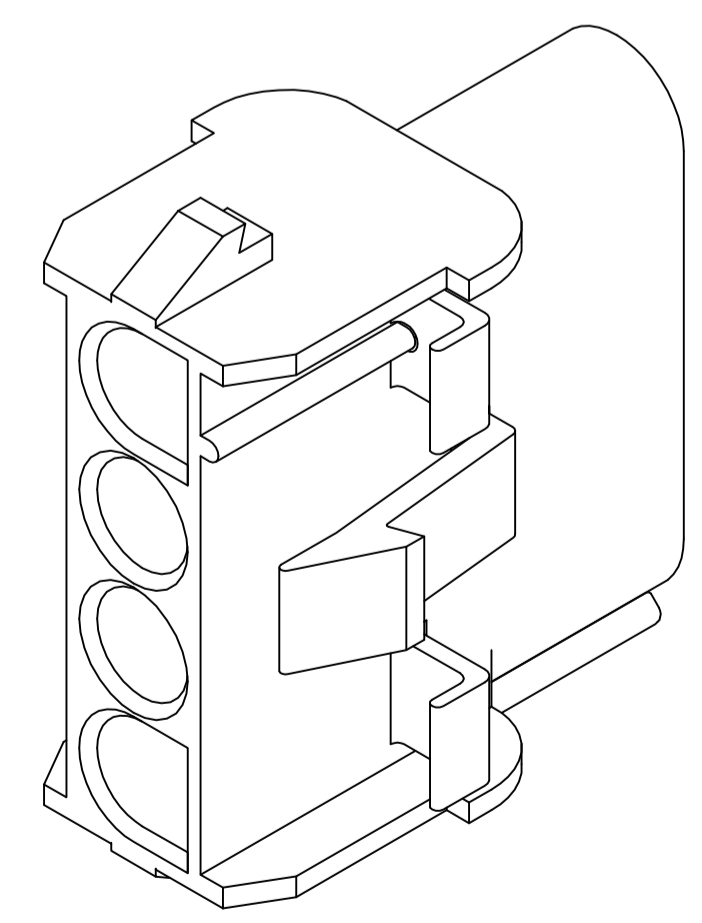
LOC	DIST	REVISIONS			
P	LTR	DESCRIPTION	DATE	DMN	APVD
CM	53	V2	REVISED PER ECO-11-004587	11MAR11	RK HMR



- MATES WITH APPROPRIATE UNIVERSAL MATE-N-LOK™ PLUG.
 - RECOMMENDED PANEL THICKNESS 0.76 - 2.29.
 - PANEL MUST BE PUNCHED SO THAT THE HOUSING ENTERS THE PANEL IN THE SAME DIRECTION AS THE PUNCH.
- △4 OPTIONAL FOR KEYING HOUSING IN PANEL.
 - △5 CIRCUIT NUMBER 1 LOCATION.
 - △6 DIMENSION INDICATED IS AS MOLDED. ADDITIONAL GROWTH DUE TO SUBSEQUENT MOISTURE ABSORPTION MAY OCCUR.
 - △7 FOUR RIBS EQUALLY SPACED, NO SPECIFIC ORIENTATION. NO RIBS OR SIX RIBS EQUALLY SPACED, NO SPECIFIC ORIENTATION, OPTIONAL.
 - △8 UNDERWRITERS RECOGNIZED COMPONENT LOGO AND CSA CERTIFICATION LOGO TO BE LOCATED ONCE EACH ON SIDE OF HOUSING.



RECOMMENDED PANEL CUT OUT

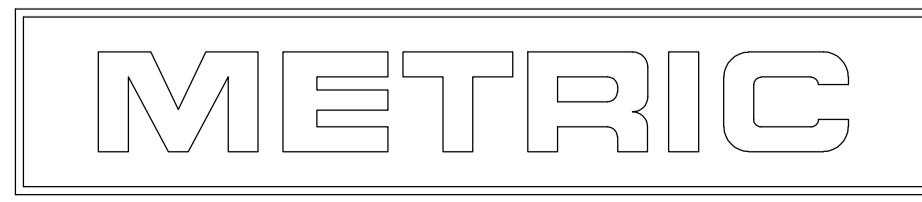


3-DIMENSIONAL MODEL NTS

BLACK	1-350780-9
GRAY	1-350780-8
BLUE	1-350780-6
GREEN	1-350780-5
YELLOW	1-350780-4
ORANGE	1-350780-3
RED	1-350780-2
BROWN	1-350780-1
NATURAL	350780-1
COLOR	PART NUMBER

MM	IN	MM	IN
4.45	.175	27.43	1.080
2.79	.110	27.05	1.065
2.54	.100	26.67	1.050
2.41	.095	13.46	.530
2.29	.090	13.21	.520
0.76	.030	8.64	.340
0.38	.015	8.13	.320
0.25	.010	7.62	.300
0.13	.005	6.35	.250
MM	IN	MM	IN

CONVERSION TABLE



THIS DRAWING IS A CONTROLLED DOCUMENT.

DIMENSIONS: mm	TOLERANCES UNLESS OTHERWISE SPECIFIED:	DIN K. WHITAKER 15JUL92	CHK R. SWING 15JUL92	APVD D. SELF 20JUL92	NAME
0. PLC ± -	1. PLC ± -	2. PLC ± 0.13	3. PLC ± -	4. PLC ± -	ANGLE ± 1°
MATERIAL NYLON,UL 94V-0	FINISH -	WEIGHT -	SIZE A1	CAGE CODE 00779	DRAWING NO. C=350780
CUSTOMER DRAWING			SCALE 4:1	SHEET 1 OF 1	REV V2

STE TE Connectivity

CAP.4 CIRCUIT, UNIVERSAL MATE-N-LOK™