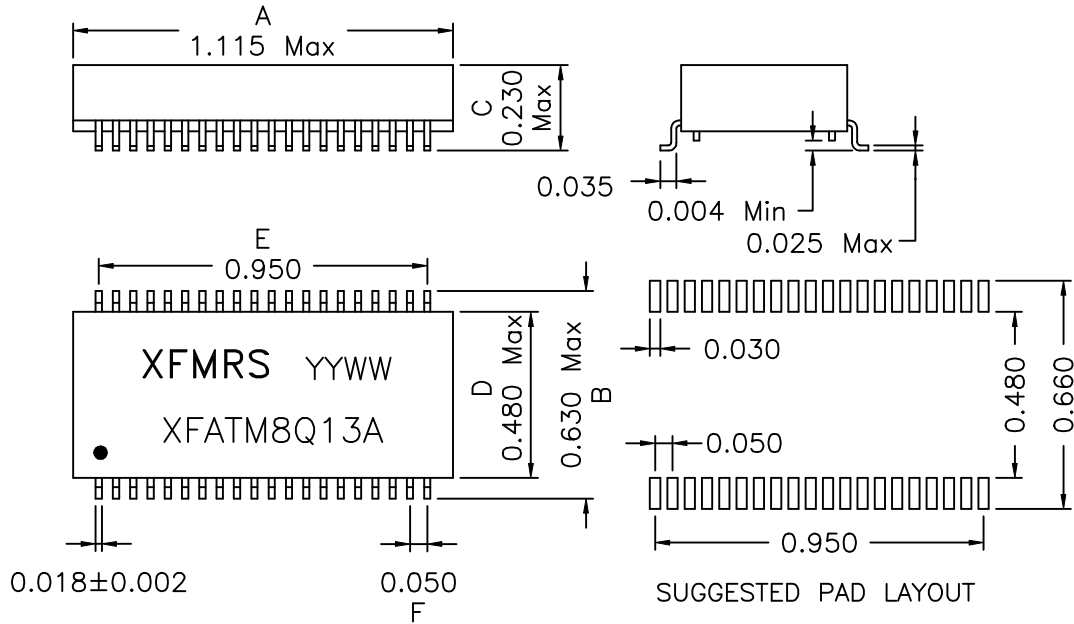


1. Dimensions:



3. Electrical Specifications: @25°C

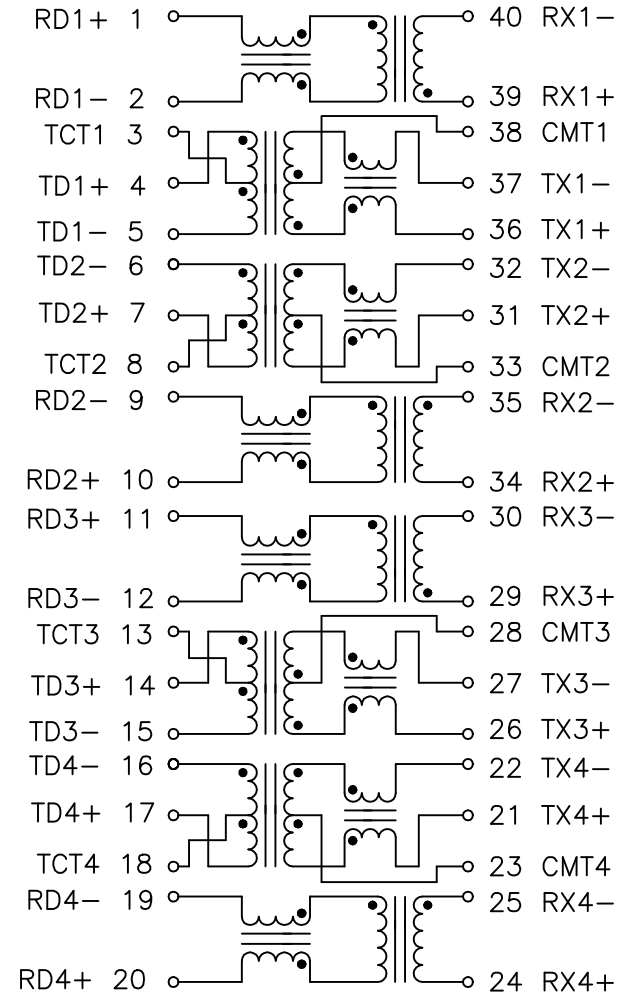
Turns Ratio: PRI/SEC TX 1CT:1CT ±5% RX 1:1 ±5%
 Isolation Voltage: 1500 Vrms (Input to Output)
 OCL: 350 uH Min With 8mADC @100KHz 0.1V
 INSERTION LOSS: -1.0dB Max @100KHz - 100MHZ
 RETURN LOSS: 30MHz -16dB Typ. CROSSTALK: 30MHz -40dB Typ.
 60MHz -12dB Typ. 60MHz -35dB Typ.
 80MHz -10dB Typ. 80MHz -35dB Typ.

Notes:

- Solderability: Leads shall meet MIL-STD-202, Method 208D for solderability.
- Flammability: UL94V-0
- ASTM oxygen index: > 28%
- Insulation System: Class F 155°C. UL file E151556
- Operating Temperature Range: All listed parameters are to be within tolerance from -40°C to +85°C
- Storage Temperature Range: -55°C to +125°C
- Aqueous wash compatible

DOC. REV. A/5

2. Schematic:



XFMRS Inc	Title: Quad Port 10/100BASE-TX Module		
	UNLESS OTHERWISE SPECIFIED	P/N: XFATM8Q13A	REV. A
TOLERANCES: .xxx ±0.010	DWN.	廖玉坤	Jul-18-02
Dimensions in INCH	CHK.	李清儿	Jul-18-02
SHEET 1 OF 1	APP.	Isaiah M	Jul-18-02