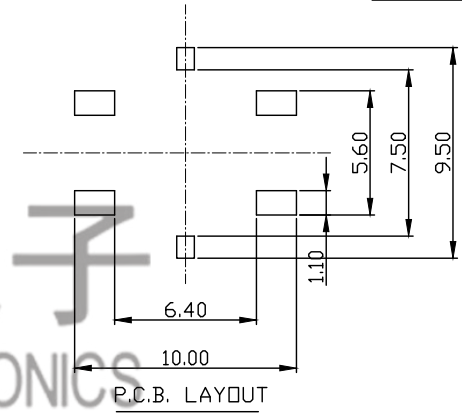
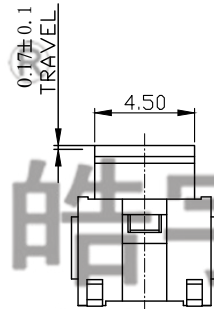
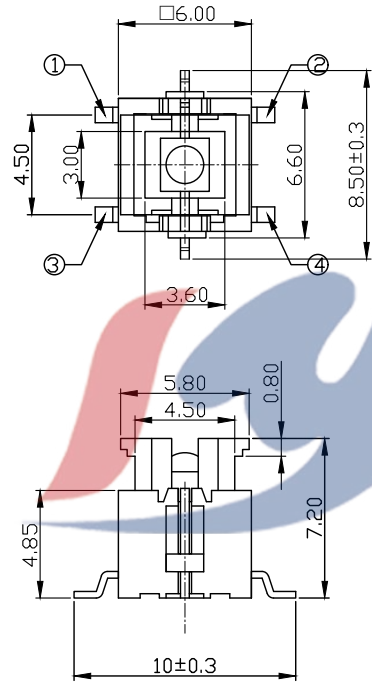
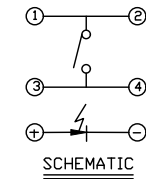


HAOYU



皓宇电子
HOUYA ELECTRONICS

INTENSITY 力度		
C	D	E
160±50	200±50	250±50

LED COLOR										
1	2	3	4	5	6	12	13	14	23	
Red	Yellow	Green	Orange	White	Pure Green	Red Yellow	Red Green	Red Blue	Yellow White	

				TOLERANCE UNLESS SPECIFIED							
				UP TO 1.5mm: ±0.1	ANGULAR	1					
				ABOVE 1.5mm: ±0.2	±1°	NO	DATE	REVISIONS		BY	APPD
5	LED		1	Orange	TITLE: TACT SWITCH			UNIT: MM	ROHS COMPLIANT	DWN	
4	CONTACT	PBS	1	Ag CLAD	MODEL: TC-1196-0-E			SCALE: 4:1		CHK'D	
3	TERMINAL	BRASS STRIP	4	Ag PLATED	HAOYU (HONGKONG) LIMITED 皓宇(香港)有限公司					APPD	
2	CASE	PA6T	1	BLACK							
1	KNOB	PA66	1	WHITE							
NO.	PART NAME	MATERIAL	QTY	FINISHING					PRO. AGL:		REV: A0