

1

2

3

4

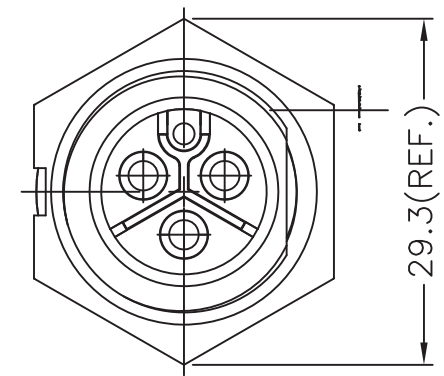
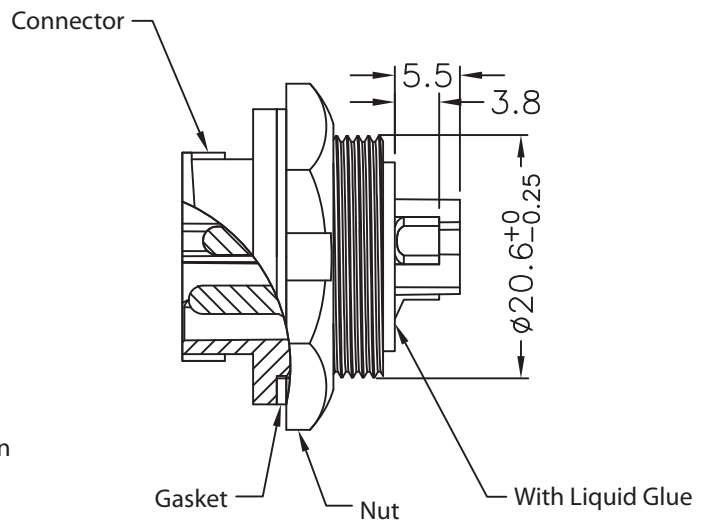
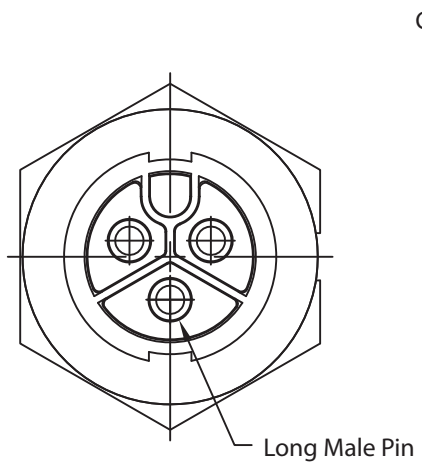
5

6

7

A

A



B

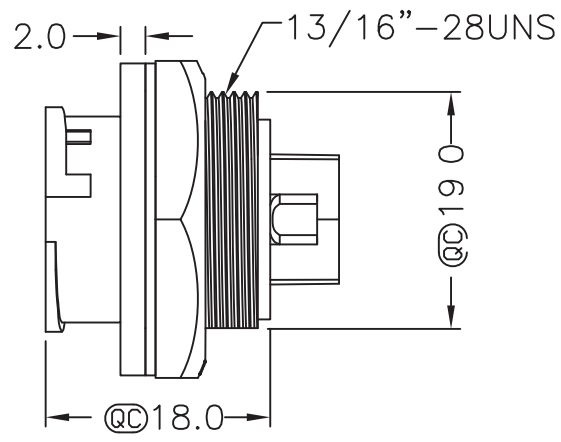
B

C

C

D

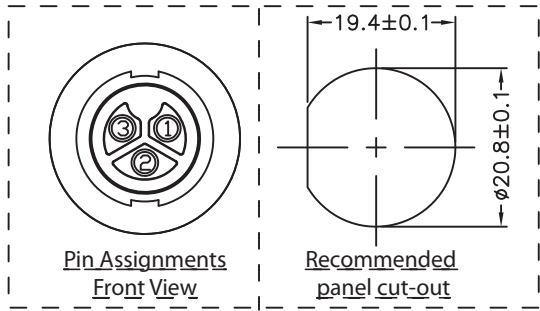
D

**Material:**

- Waterproof Rate: IP67
- Connector: Nylon+GF, Black
- Male Pin: Copper Alloy, Gold Plated
- Nut: Nylon+GF, Black
- Gasket: Silicon, Gray
- Maximum Panel Thickness: 4.5MM
- UL94V-0 Materials Used
- For UL2238 Certificated E318730

E

E



F

F

Unit: MM±0.25MM

G

G

Scale	1:1					Name	Item No.
TOLERANCE					Drawn	12.01.11	A-P03RMMS-LC7-2-R
X.X	±0.40				Approved		
X.XX	±0.25						
X.XXX	±0.15						Title Waterproof Power Connector Panel Lock, 3 Pin Male, 20 Amps
Angle	±3°						Drawing No.
							rev00
							Replace
							Sheet



H

H

1

2

3

4

5

6

7