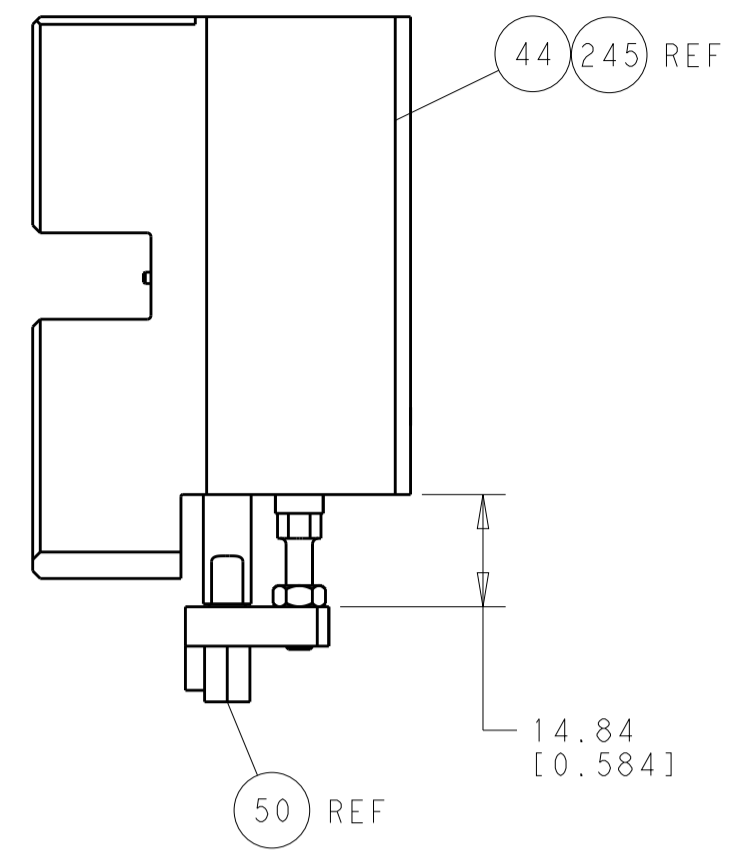
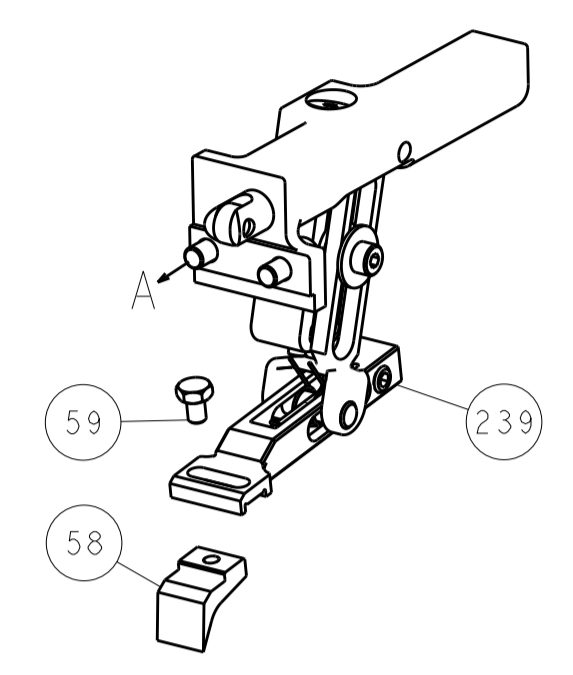


LOC		DIST		REVISIONS			
A	66	P	LTM	DESCRIPTION	DATE	OWN	APVD
		-	-	SEE SHEET 1			

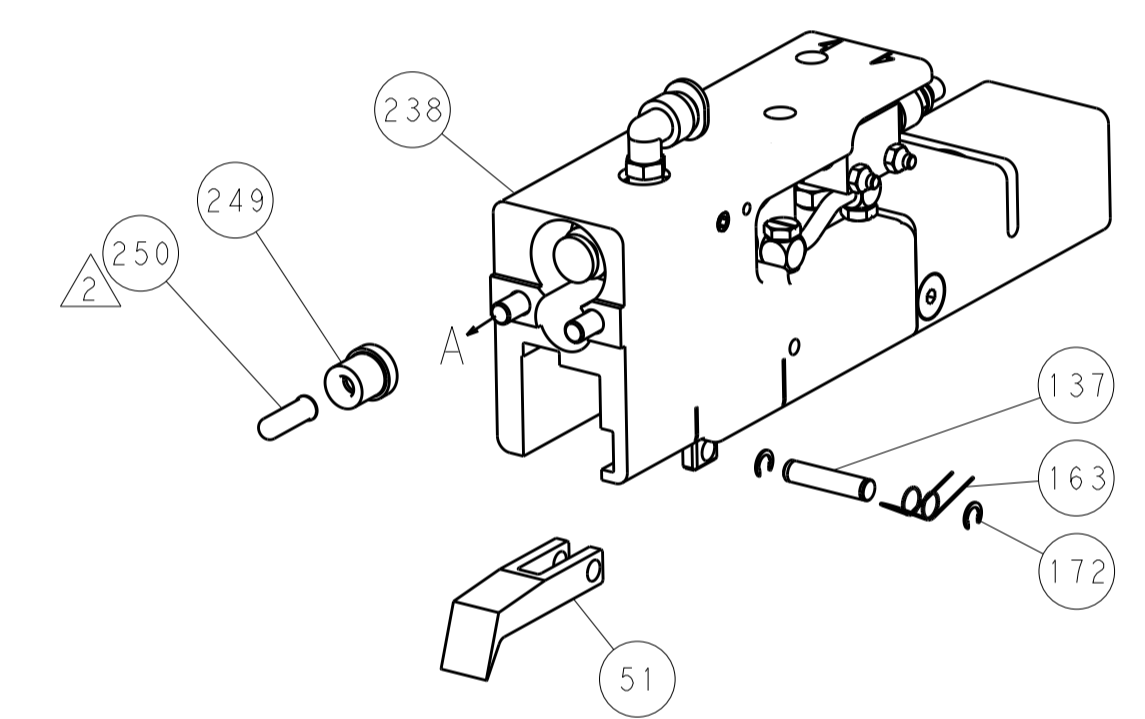


HOLDDOWN SET-UP

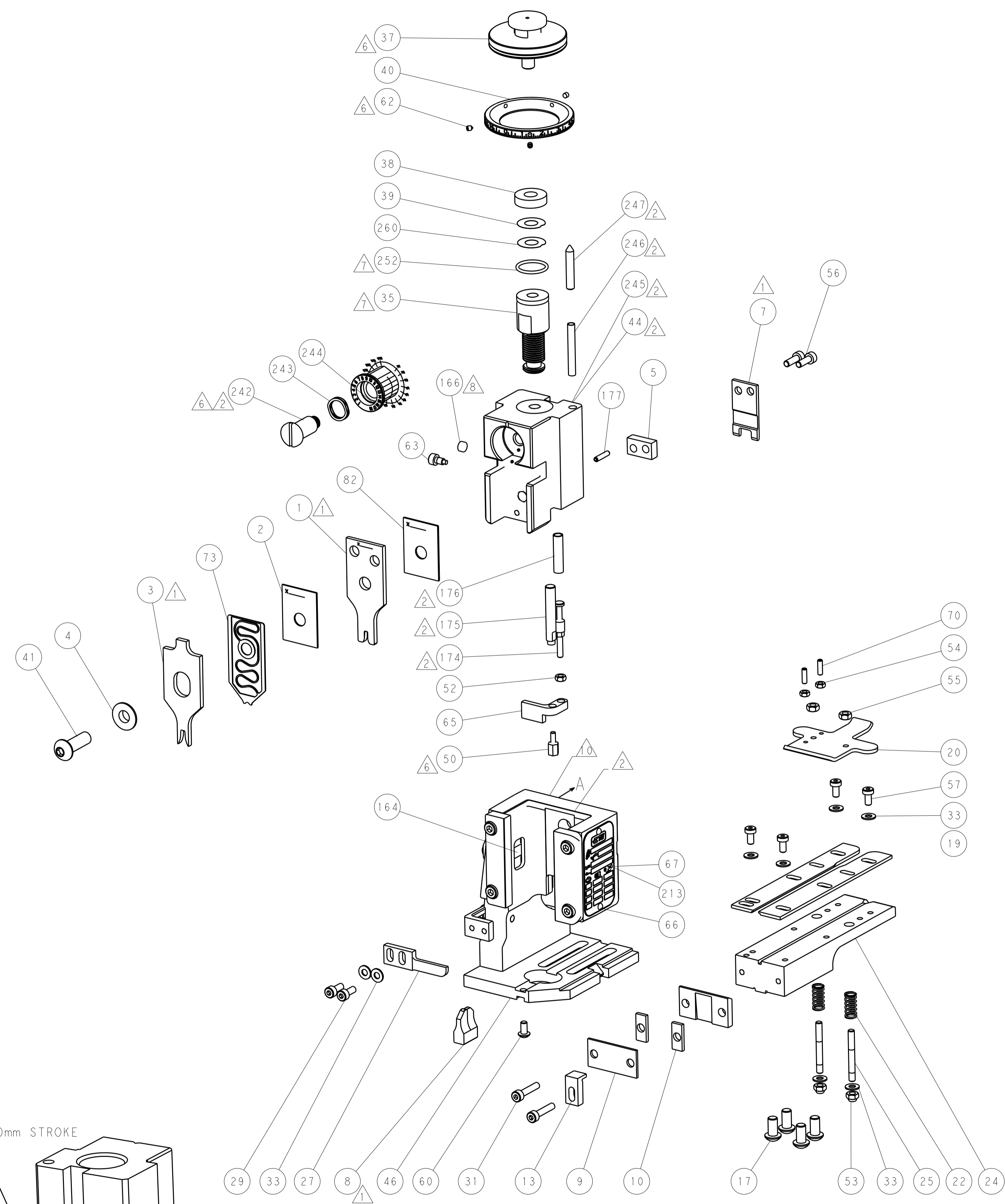
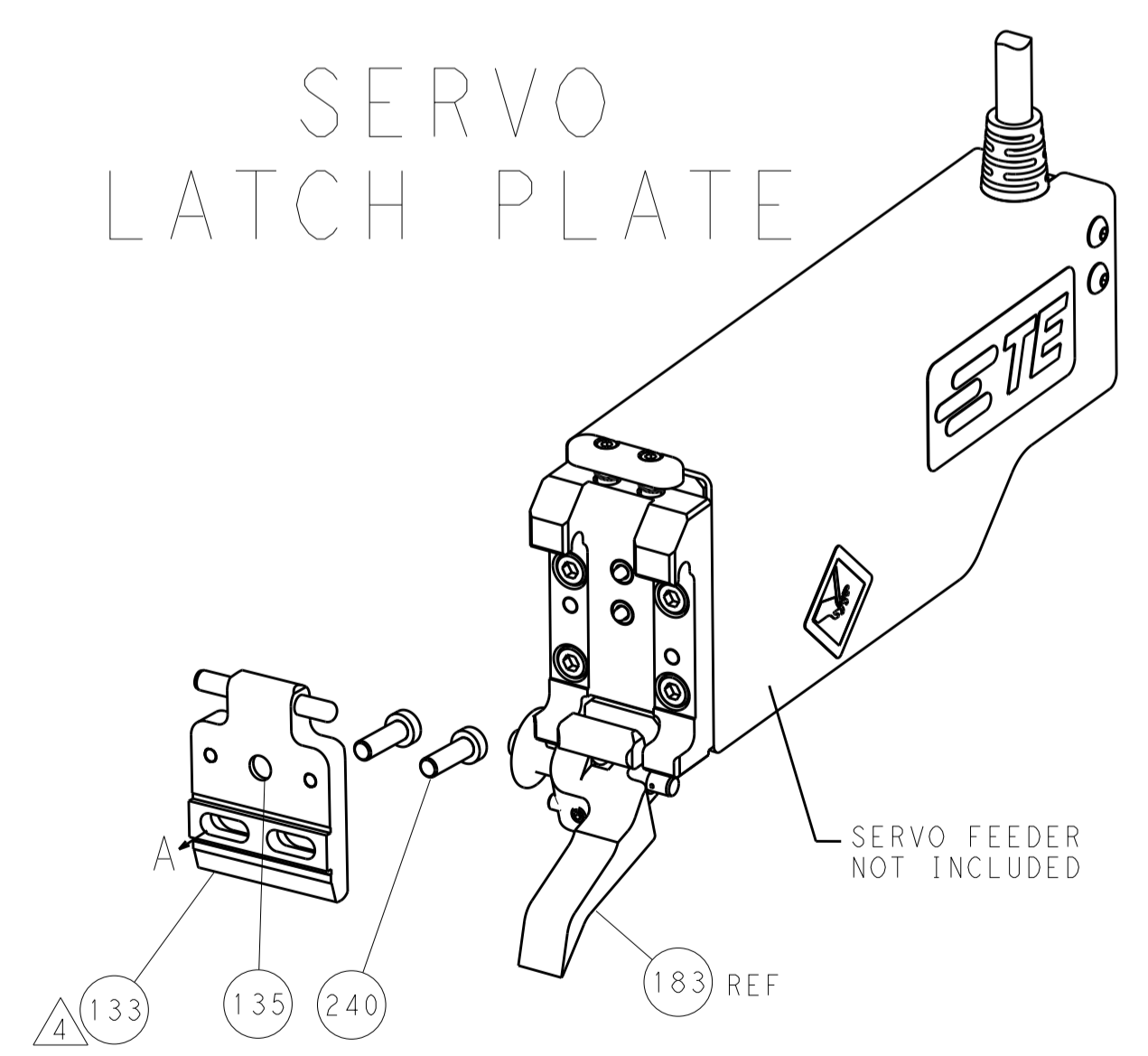
FEED TYPE
MECHANICAL



PNEUMATIC



SERVO
LATCH PLATE



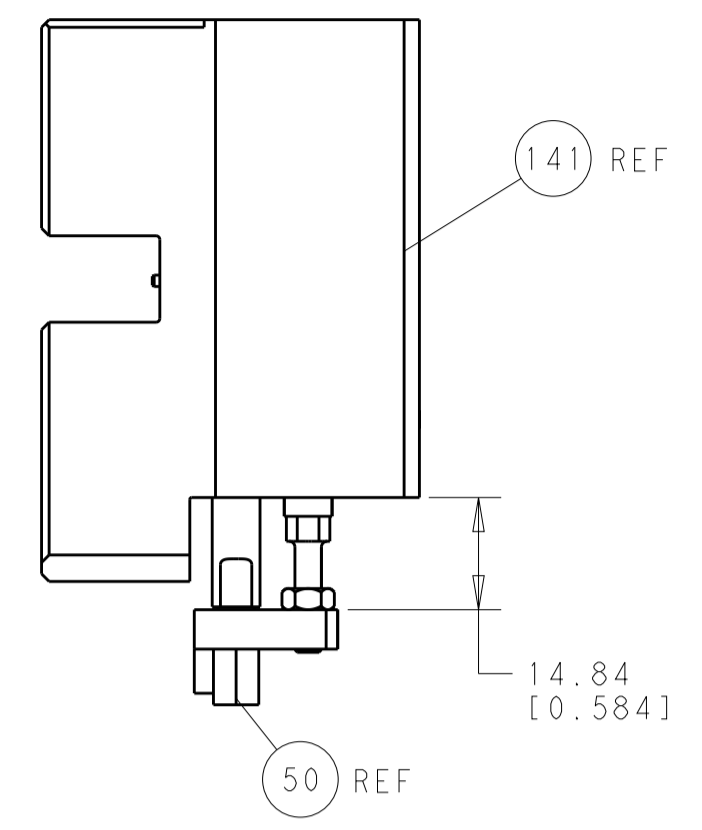
CAM POSITIONS



ATLANTIC VERSION
 Shown on sheets 1 of 4 & 2 of 4
 (Pacific version shown on sheets 3 of 4 & 4 of 4)

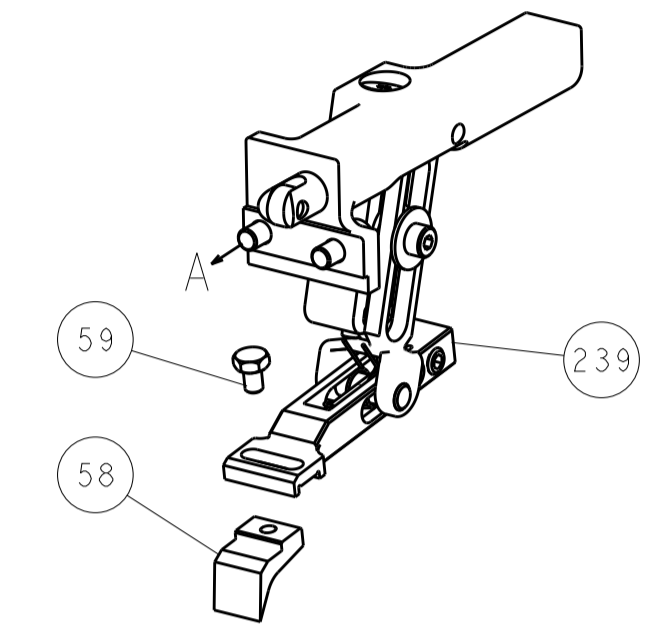
DIMENSIONS:		TOLERANCES UNLESS OTHERWISE SPECIFIED:		DWN		17JUL2013		TE Connectivity	
mm		0 PLC ±0.5		CHK		17JUL2013		Harrisburg, PA 17105-3608	
Ø		1 PLC ±0.13		U. GUO		17JUL2013		NAME	
H		2 PLC ±0.13		I. CRUZ		17JUL2013		Ocean End Feed	
A		3 PLC ±0.013		APVD				Applicator	
B		4 PLC ±0.001		PRODUCT SPEC					
C		5 PLC ±0.001		APPLICATION SPEC					
D		FINISH		WEIGHT				SIZE	
E				MATERIAL				CAGE CODE	
F				SCALE		1:1		DRAWING NO	
G				SHEET		2		REV	
H				OF		4		B	

LOC		DIST		REVISIONS			
A	66	P	LTM	DESCRIPTION	DATE	DWN	APVD
				SEE SHEET 1			

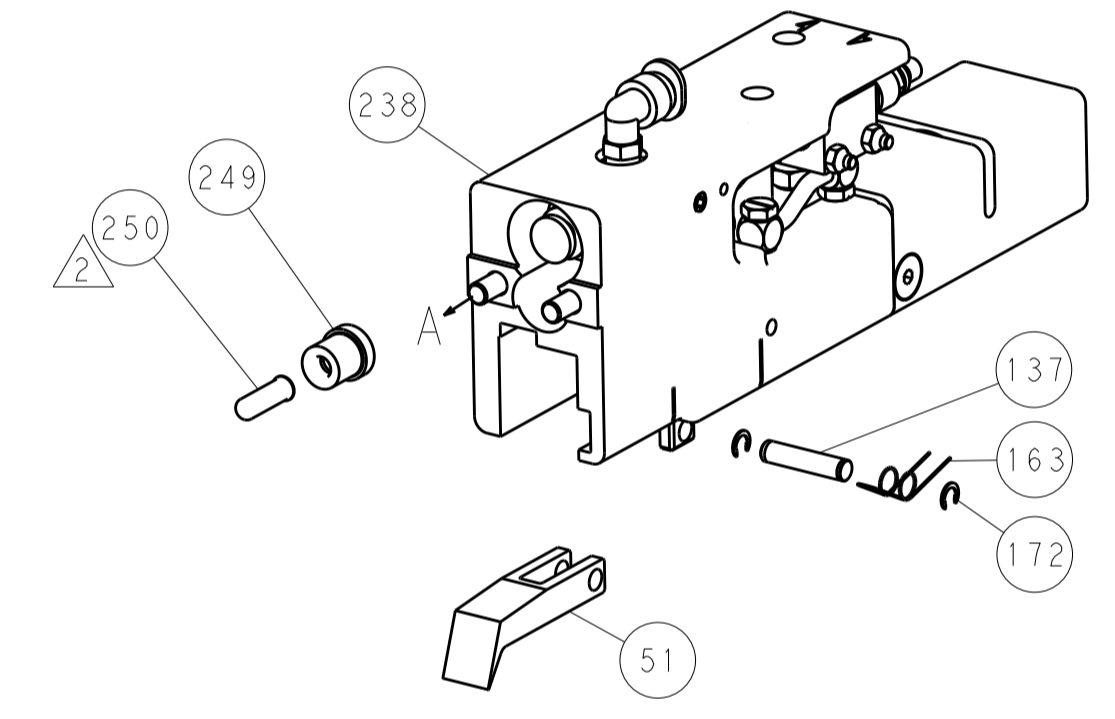


HOLDDOWN SET-UP

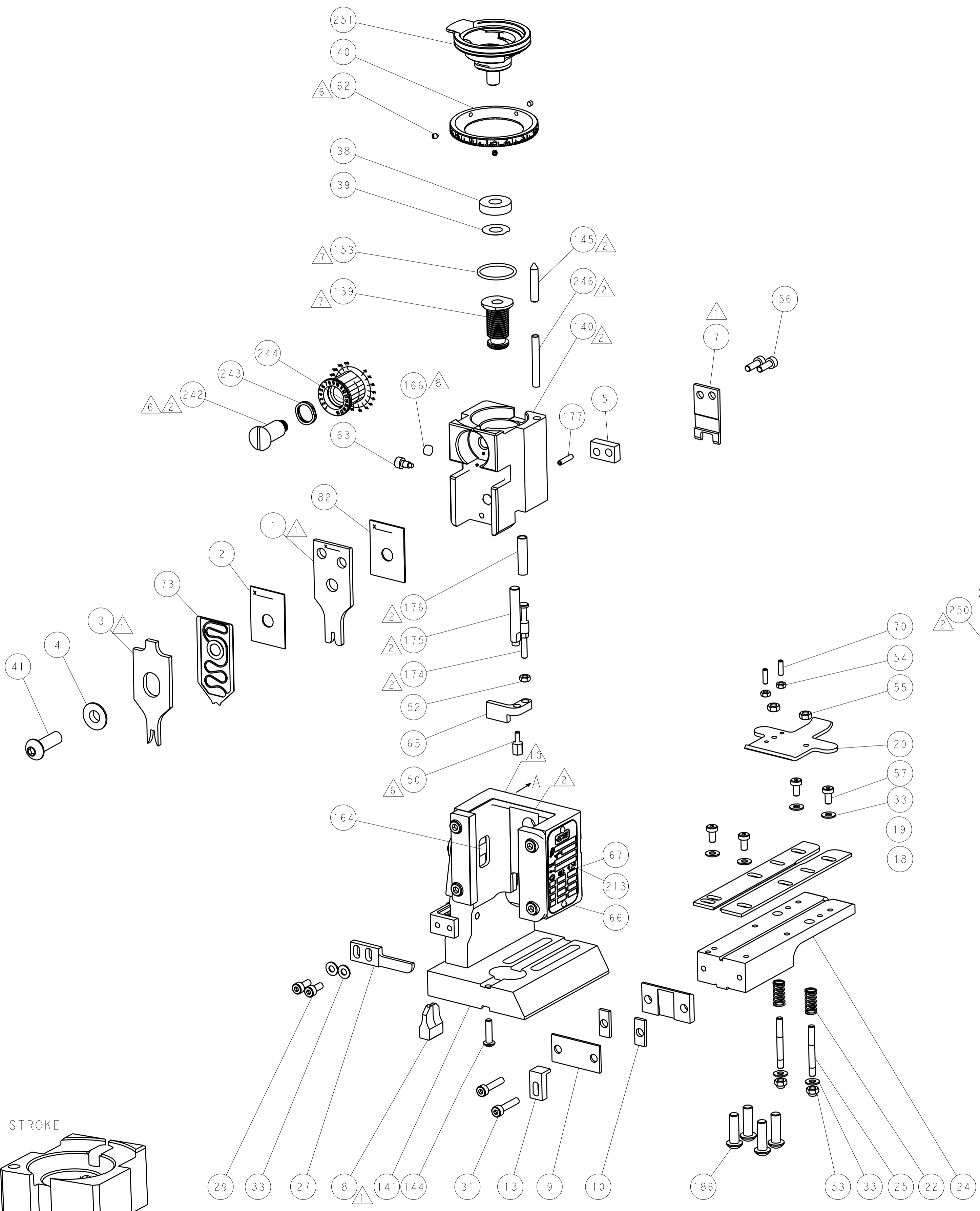
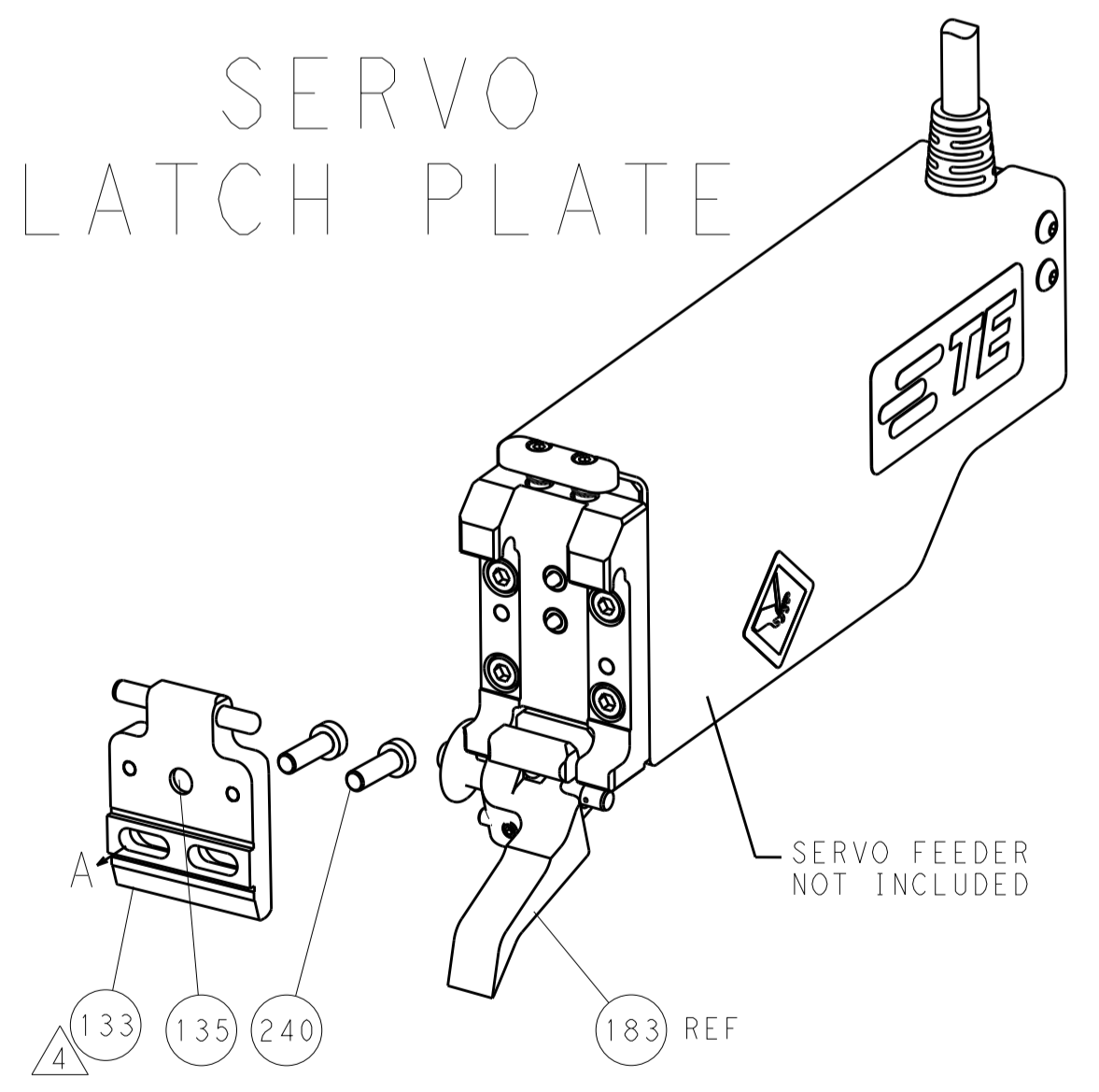
FEED TYPE
MECHANICAL



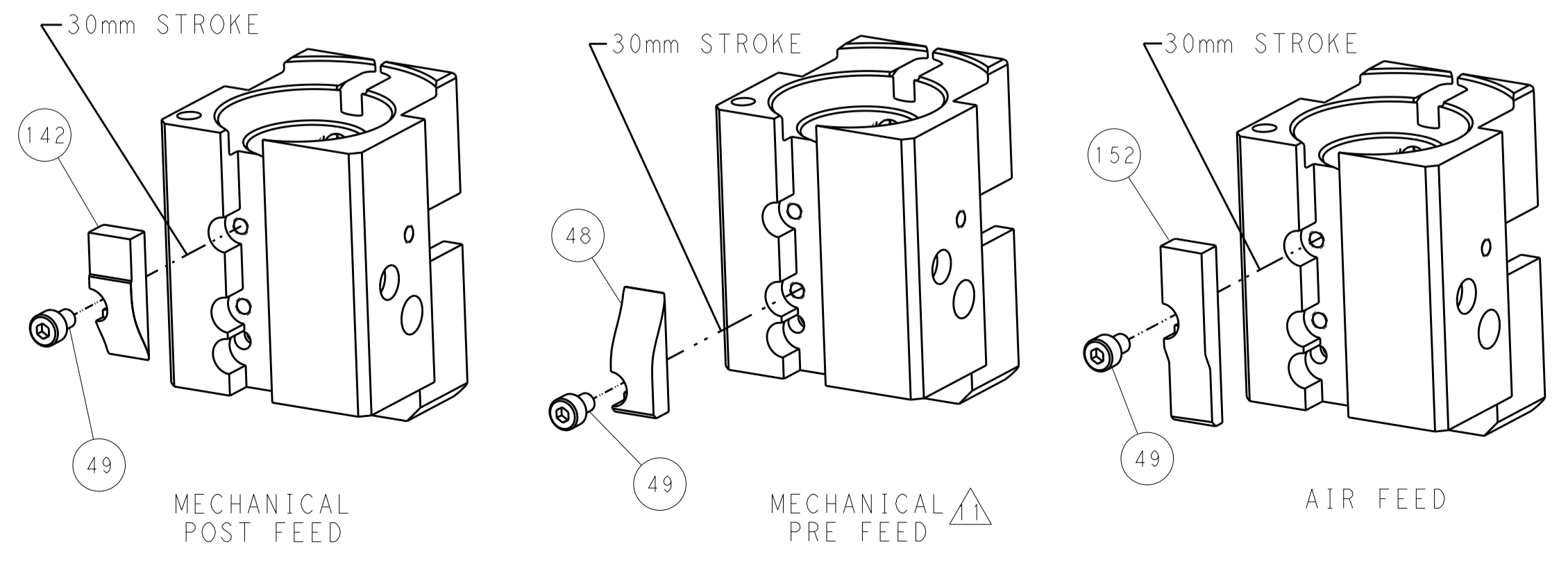
PNEUMATIC



SERVO
LATCH PLATE



CAM POSITIONS



PACIFIC VERSION
Shown on sheets 3 of 4 & 4 of 4
(Atlantic version shown on sheets 1 of 4 & 2 of 4)

DIMENSIONS:		TOLERANCES UNLESS OTHERWISE SPECIFIED:		DWN		TE Connectivity	
mm	0 PLC ±0.5	1 PLC ±0.5	2 PLC ±0.13	3 PLC ±0.13	17JUL2013	Harrisburg, PA 17105-3608	
	4 PLC ±0.013	5 PLC ±0.001	6 PLC ±0.001	APVD	NAME	Ocean End Feed Applicator	
MATERIAL:	FINISH:	WEIGHT:	ANGLES:	APVD	SIZE	CAGE CODE	DRAWING NO
				17JUL2013	A1	00779	2150350
Customer Accessible Production Drawing				SCALE	1:1	SHEET	4 OF 4