

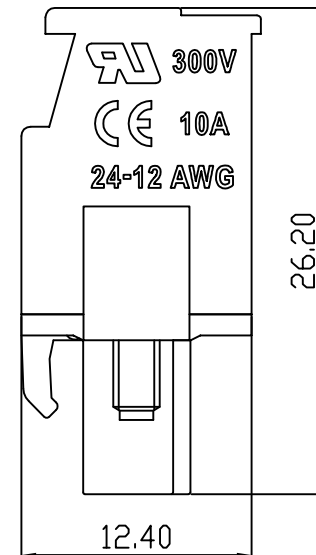
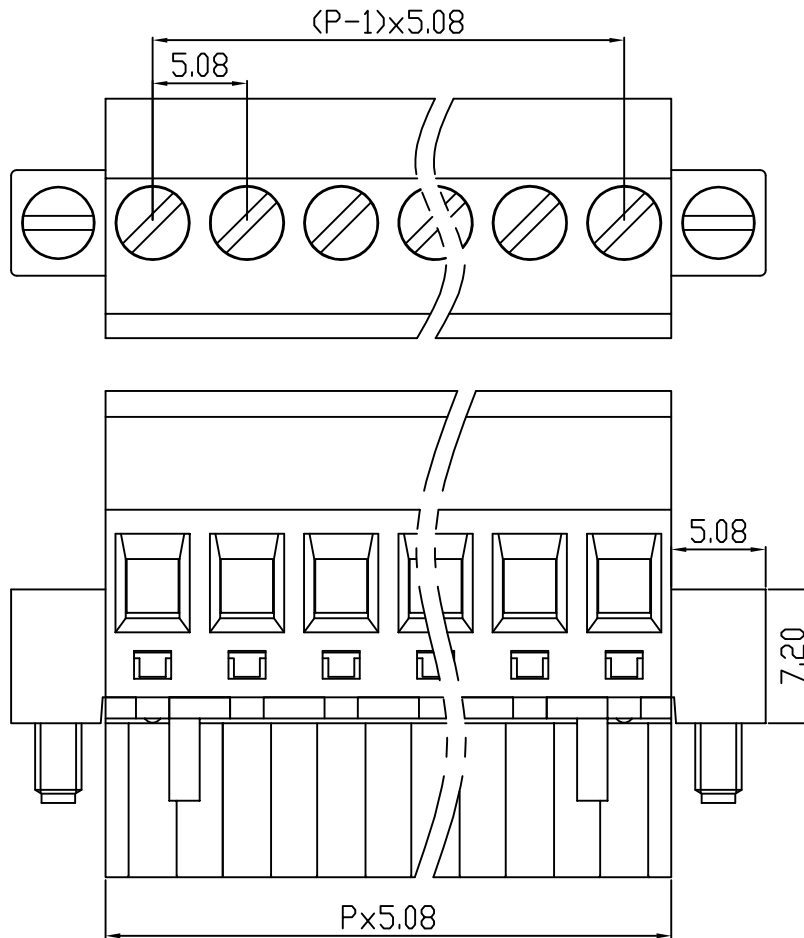
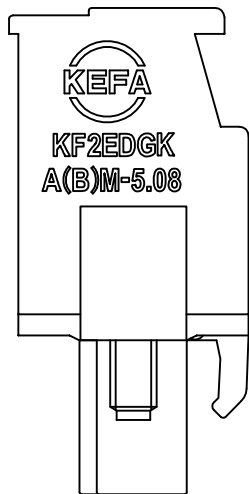
linear dimension(Tolerances Standard GB/T 14486-2008)



variable range	to 6	over 6	over 10	over 30	over 60	over 100	over 160	to 10	over 10	over 100
		to 10	to 30	to 60	to 100	to 160	to 100		to 100	
tolerance	±0.20	±0.30	±0.50	±0.70	±1.00	±1.30	±1.60	0.10	0.30	0.60

REVISION RECORD

REV.	DESCRIPTION	ECN No.	APPROVED	DATE
A	新发行		CLF	21.03.15



UL/CUL 技术参数 UL/CUL Technical Data						
等级	Use Group	B	C	D		
额定电压	Rated Voltage [V]	300	-	300		
额定电流	Rated Current [A]	10	-	10		
接线范围	Wire Range					24-12
单/多芯线	Solid/Stranded [AWG]					
耐电压	Withstanding Voltage					1600V/1Min
IEC 技术参数 IEC Technical Data						
过电压类别	Overvoltage Category	III	III	II		
污染等级	Contamination Class	3	2	2		
额定电压	Rated Voltage [V]	-	320	630		
额定电流	Rated Current [A]	-	15	15		
额定冲击电压	Impulse withstand voltage ^a [KV]	-	4.0	4.0		
导线截面积	Conductor cross section					2.5
硬质/柔性导线	Solid/flexible [mm ²]					
材料 Material						
绝缘材料	Insulation Material					PA66
阻燃等级	Flammability					UL94V-0
导体材料	Contacting Material					铜合金 Copper alloy
导体表面镀层	Contactive Coating					镀镍 Ni plated
一般参数 Other Data						
间距	Pitch [mm]					5.08
极数	Poles [P]					2-24
剥线长度	Stripping Length [mm]					7-8
螺丝	Screw/扭矩 Torque(Max) [N.m]					M2.5/0.4
工作温度	Operating temperatur [°C]					-40~+105
引针尺寸	Pin Dimensions [mm]					-
PCB板孔径	PCB Hole Diameter [mm]					-

DES.	FZM	DATE	21.03.15
CHK.	SY	DATE	21.03.15
APP.	CLF	DATE	21.03.15

单位 / UNITS mm 尺寸 / SIZE A4 比例 / SCALE 1:1
 慈溪市科发电子有限公司
 CIXI KEFA ELECTRONIC CO., LTD

第三视角 / THIRD ANGLE PROJECTION		版本 / REV	A
		名称 / TITLE	KF2EDGKAM-5.08