

PLEASE CHECK WWW.MOLEX.COM FOR LATEST PART INFORMATION

Part Number: [0496320811](#)
Status: **Active**
Overview: [microfit_30](#)
Description: 3.00mm (.118") Pitch Micro-Fit 3.0™ Receptacle Housing, Dual Row, DoubleLock, 8 Circuits

Documents:

[3D Model](#) [Product Specification PS-49617-001 \(PDF\)](#)
[Drawing \(PDF\)](#) [RoHS Certificate of Compliance \(PDF\)](#)

General

Product Family Crimp Housings
 Series [49632](#)
 Overview [microfit_30](#)
 Product Name Micro-Fit 3.0™

Physical

Circuits (maximum) 8
 Color - Resin Black
 Gender Female
 Glow-Wire Compliant No
 Lock to Mating Part Yes
 Material - Resin Polyester
 Number of Rows 2
 Packaging Type Bag
 Panel Mount No
 Pitch - Mating Interface (in) 0.118 In
 Pitch - Mating Interface (mm) 3.00 mm
 Polarized to Mating Part Yes
 Stackable No
 Temperature Range - Operating -40°C to +85°C

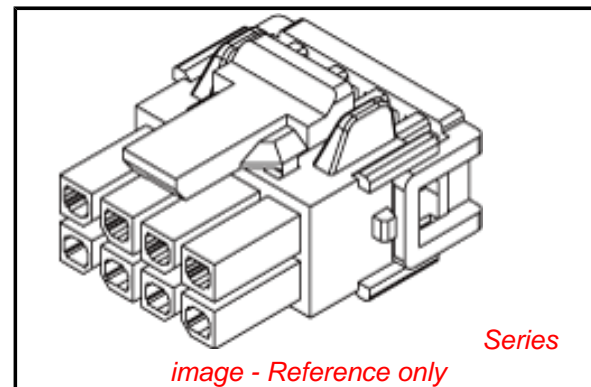
Electrical

Current - Maximum per Contact 5A

Material Info

Reference - Drawing Numbers

Packaging Specification PK-49632-001
 Product Specification PS-49617-001
 Sales Drawing SD-49632-001



EU RoHS

ELV and RoHS Compliant
REACH SVHC
 Not Reviewed
Halogen-Free Status
 Not Reviewed

China RoHS



Need more information on product environmental compliance?

Email productcompliance@molex.com
 For a multiple part number RoHS Certificate of Compliance, [click here](#)

Please visit the [Contact Us](#) section for any non-product compliance questions.

Search Parts in this Series

[49632Series](#)

Mates With

Micro-Fit 3.0™ Plug Housing [43020](#). Micro-Fit 3.0™ Header [43045](#)

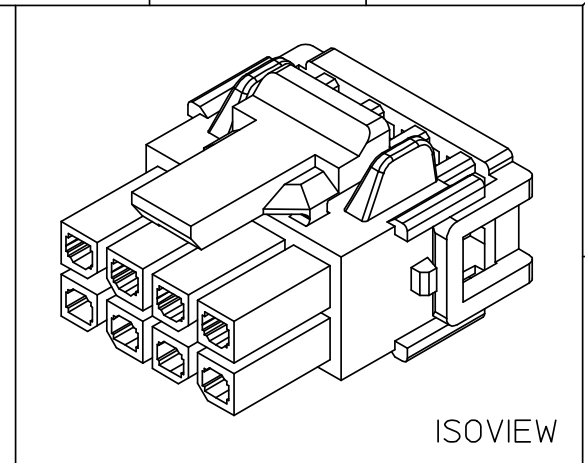
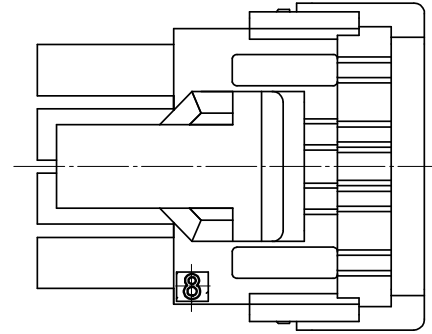
Use With

Micro-Fit 3.0™ Crimp Terminal [43030](#)

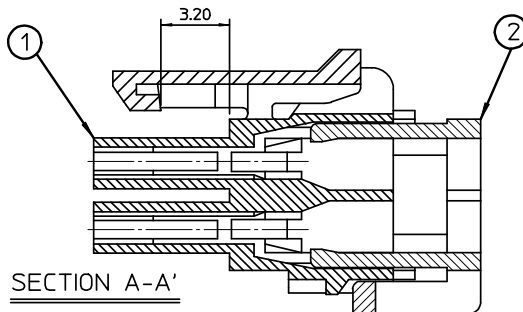
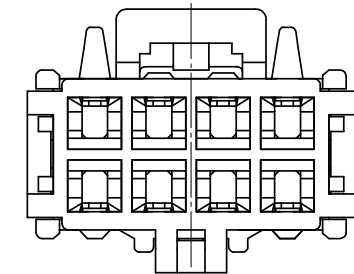
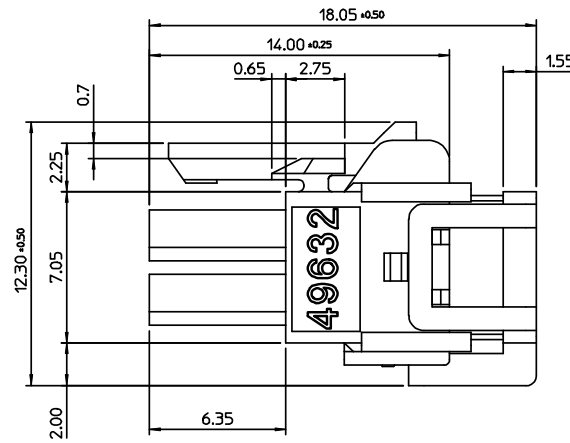
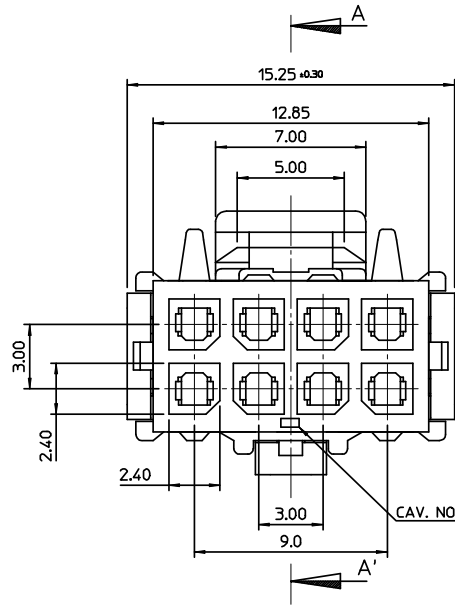
<NOTE>

1. MATERIAL : SEE TABLE
2. MATES WITH 43020 AND 43045
3. APPLICABLE TERMINAL : 43030

NO.	PART NO.	PART NAME	MATERIAL	COLOR
1	49632-0891	FEMALE HOUSING	POLYESTER	BLACK
2	49633-0880	FEMALE TPA	POLYESTER	NATURAL



ISOVIEW



MATERIAL NO.	ENG. NO.
49632-0811	49632-0811

REV	DESCRIPTION
A	NEW RELEASED EC NO: KOR2008-0199 DRW:NEK/IM 2008/06/03 CHKD:BCYOON 2008/06/03 APPR:YUNS.IKK/IM 2008/06/04

QUALITY SYMBOLS	GENERAL TOLERANCES (UNLESS SPECIFIED)
▽=0	mm INCH
▽=0	4 PLACES ± --- ± ---
	3 PLACES ± --- ± ---
	2 PLACES ± 0.20 ± ---
	1 PLACE ± 0.30 ± ---
	ANGULAR ± 1 °
	DRAFT WHERE APPLICABLE MUST REMAIN WITHIN DIMENSIONS

DIMENSION STYLE		SCALE		DESIGN UNITS		THIRD ANGLE PROJECTION	
MM ONLY		4:1		METRIC		THIRD ANGLE PROJECTION	
DRAWN BY	DATE	TITLE		MOLEX INCORPORATED DOCUMENT NO. SD-49632-001 SHEET NO. 1 OF 1			
SMK/IM	2007/10/25	MICRO-FIT 3.0 W-T-B DOUBLE LOCK ASS'Y 8P					
CHECKED BY	DATE						
BCYOON	2007/10/25	APPROVED BY					
EHJUNG	2007/10/25	DATE					
MATERIAL NO.		496320811					

THIS DRAWING CONTAINS INFORMATION THAT IS PROPRIETARY TO MOLEX INCORPORATED AND SHOULD NOT BE USED WITHOUT WRITTEN PERMISSION