

**PLEASE CHECK WWW.MOLEX.COM FOR LATEST PART INFORMATION**

**Part Number:** [0702471276](#)  
**Status:** **Active**  
**Overview:** [cgrid\\_sl\\_products](#)  
**Description:** 2.54mm (.100") Pitch C-Grid® Header, Dual Row, Low Profile, Right Angle, Shrouded, 12 Circuits, 0.38µm (15µ") Gold (Au) Selective Plating, Tin (Sn) PC Tail Plating, Lead free

**Documents:**

[3D Model](#) [Product Specification PS-70246-100 \(PDF\)](#)  
[Drawing \(PDF\)](#) [RoHS Certificate of Compliance \(PDF\)](#)  
[Product Specification PS-70246 \(PDF\)](#)

**Agency Certification**

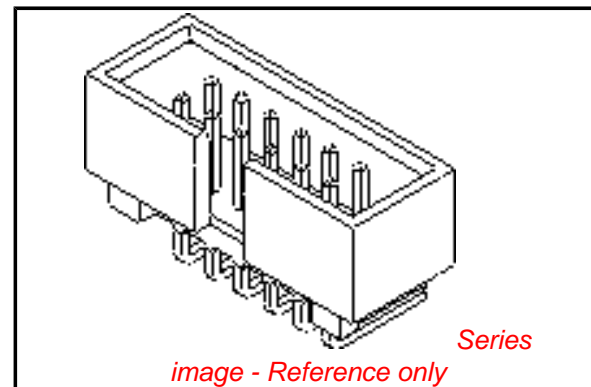
CSA LR19980  
 UL E29179

**General**

Product Family PCB Headers  
 Series [70247](#)  
 Application Wire-to-Board  
 Overview [cgrid\\_sl\\_products](#)  
 Product Name C-Grid®

**Physical**

Breakaway No  
 Circuits (Loaded) 12  
 Circuits (maximum) 12  
 Color - Resin Black  
 First Mate / Last Break No  
 Flammability 94V-0  
 Glow-Wire Compliant No  
 Guide to Mating Part No  
 Keying to Mating Part None  
 Lock to Mating Part None  
 Material - Plating Mating Gold  
 Material - Plating Termination Tin  
 Material - Resin Polyester  
 Number of Rows 2  
 Orientation Right Angle  
 PC Tail Length (in) 0.120 In  
 PC Tail Length (mm) 3.05 mm  
 PCB Locator No  
 PCB Retention None  
 PCB Thickness Recommended (in) 0.062 In  
 PCB Thickness Recommended (mm) 1.60 mm  
 Packaging Type Tube  
 Pitch - Mating Interface (in) 0.100 In  
 Pitch - Mating Interface (mm) 2.54 mm  
 Plating min: Mating (µin) 15  
 Plating min: Mating (µm) 0.38  
 Plating min: Termination (µin) 75  
 Plating min: Termination (µm) 1.90  
 Polarized to Mating Part Center Slot  
 Shrouded Fully  
 Stackable No  
 Temperature Range - Operating -55°C to +120°C



**EU RoHS**

**ELV and RoHS  
 Compliant**  
**REACH SVHC  
 Not Reviewed**  
**Halogen-Free  
 Status  
 Not Reviewed**

**China RoHS**



**Need more information on product environmental compliance?**

Email [productcompliance@molex.com](mailto:productcompliance@molex.com)  
 For a multiple part number RoHS Certificate of Compliance, [click here](#)

Please visit the [Contact Us](#) section for any non-product compliance questions.

**Search Parts in this Series**

[70247Series](#)

**Mates With**

[70450 SL™](#) Crimp Housing, [70058 SL™](#) Crimp Terminal

Termination Interface: Style Through Hole

**Electrical**

Current - Maximum per Contact 2.5A  
Voltage - Maximum 250V DC

**Material Info**

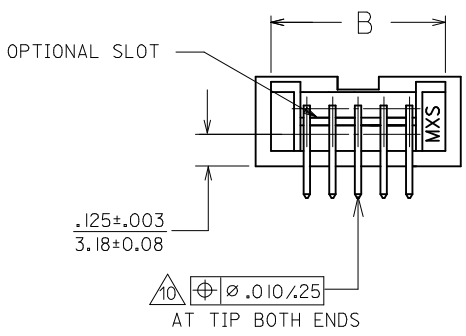
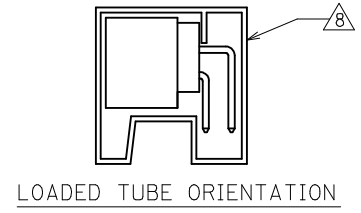
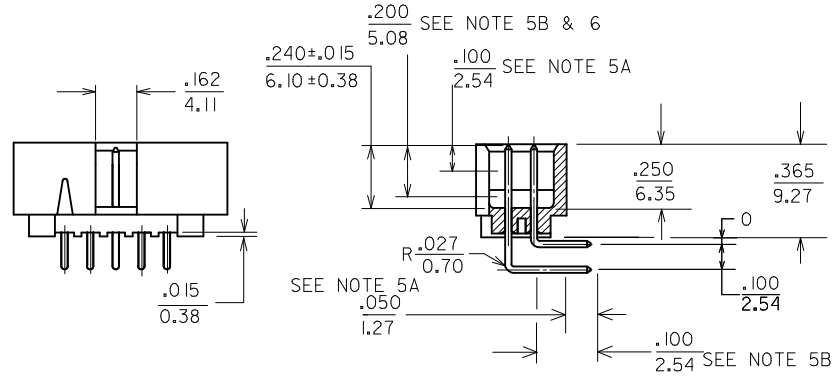
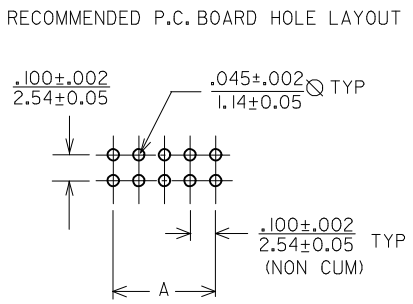
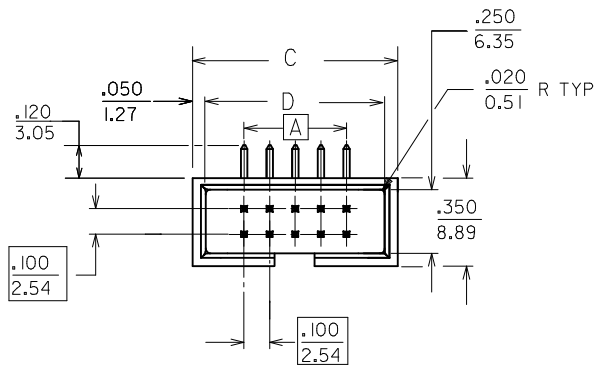
Old Part Number 70247-1266

**Reference - Drawing Numbers**

Packaging Specification PK-87835-001  
Product Specification PS-70246, PS-70246-100  
Sales Drawing SD-70247-\*\*66

This document was generated on 05/24/2010

**PLEASE CHECK [WWW.MOLEX.COM](http://WWW.MOLEX.COM) FOR LATEST PART INFORMATION**





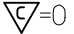
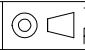


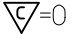
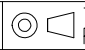

<p><b>ADD NOTE 10.</b>                  EC NO: S2009-0830                  DRWN:SKANG                  CHKD:ATSEE                  APPR:MLONG</p>	<p>2009/09/28                  2009/09/30                  2009/10/02</p>	<p>QUALITY SYMBOLS                  ▽=0                  ◻=0</p>	<p>GENERAL TOLERANCES (UNLESS SPECIFIED)</p> <table border="1"> <tr> <td></td> <td>mm</td> <td>INCH</td> </tr> <tr> <td>4 PLACES</td> <td>± ---</td> <td>± ---</td> </tr> <tr> <td>3 PLACES</td> <td>± ---</td> <td>± .008</td> </tr> <tr> <td>2 PLACES</td> <td>± 0.20</td> <td>± ---</td> </tr> <tr> <td>1 PLACE</td> <td>± ---</td> <td>± ---</td> </tr> </table>		mm	INCH	4 PLACES	± ---	± ---	3 PLACES	± ---	± .008	2 PLACES	± 0.20	± ---	1 PLACE	± ---	± ---	<p>DIMENSION STYLE                  IN/MM</p>	<p>SCALE                  NTS</p>	<p>DESIGN UNITS                  METRIC</p>	<p>THIRD ANGLE PROJECTION</p>
		mm	INCH																			
	4 PLACES	± ---	± ---																			
	3 PLACES	± ---	± .008																			
2 PLACES	± 0.20	± ---																				
1 PLACE	± ---	± ---																				
<p>DESCRIPTION</p>	<p>ANGULAR ± 3 °</p>	<p>DRAWN BY                  JWAN</p>	<p>DATE                  1993/10/25</p>	<p>TITLE                  C-GRID, SHROUDED HEADER                  R/A                  (SLOTTED W/O STANDOFFS)</p>	<p>MOLEX</p>	<p>MOLEX INCORPORATED</p>	<p>SHEET NO.                  1 OF 2</p>															
<p>DRAFT WHERE APPLICABLE                  MUST REMAIN                  WITHIN DIMENSIONS</p>	<p>SEE TABLE</p>	<p>CHECKED BY                  KCLING</p>	<p>DATE                  1993/10/27</p>	<p>APPROVED BY                  JMCHAN</p>	<p>DATE                  1993/10/27</p>	<p>DOCUMENT NO.                  SD-70247-***66</p>	<p>MATERIAL NO.</p>															
<p>REV                  D1</p>	<p>SIZE                  A3</p>	<p>THIS DRAWING CONTAINS INFORMATION THAT IS PROPRIETARY TO MOLEX INCORPORATED AND SHOULD NOT BE USED WITHOUT WRITTEN PERMISSION</p>																				

10 9 8 7 6 5 4 3 2 1

PART NO.	CKT SIZE	A	B	C	D
70247-0876	08	0.300/7.62	0.580/14.73	0.700/17.78	0.600/15.24
70247-1076	10	0.400/10.16	0.680/17.27	0.800/20.32	0.700/17.78
70247-1276	12	0.500/12.70	0.780/19.81	0.900/22.86	0.800/20.32
70247-1476	14	0.600/15.24	0.880/22.35	1.000/25.40	0.900/22.86
70247-1676	16	0.700/17.78	0.980/24.89	1.100/27.94	1.000/25.40
70247-2076	20	0.900/22.86	1.180/29.97	1.300/33.02	1.200/30.48
70247-2476	24	1.100/27.94	1.380/35.05	1.500/38.10	1.400/35.56
70247-2676	26	1.200/30.48	1.480/37.59	1.600/40.64	1.500/38.10
70247-3076	30	1.400/35.56	1.680/42.67	1.800/45.72	1.700/43.18
70247-3476	34	1.600/40.64	1.880/47.75	2.000/50.80	1.900/48.26
70247-4076	40	1.900/48.26	2.180/55.37	2.300/58.42	2.200/55.88
70247-4476	44	2.100/53.34	2.380/60.45	2.500/63.50	2.400/60.96
70247-4876	48	2.300/58.42	2.580/65.53	2.700/68.58	2.600/66.04
70247-5076	50	2.400/60.96	2.680/68.07	2.800/71.12	2.700/68.58
70247-5676	56	2.700/68.58	2.980/75.69	3.100/78.74	3.000/76.20
70247-6076	60	2.900/73.66	3.180/80.77	3.300/83.82	3.200/81.28
70247-6476	64	3.100/78.74	3.380/85.85	3.500/88.90	3.400/86.36
70247-7276	72	3.500/88.90	3.780/96.01	3.900/99.06	3.800/96.52

**NOTES:**

1. PIN PUSHOUT FORCE (.9072KG)/2LBS MIN.
  2. PIN SOLDERABILITY PER MOLEX SPEC. ES-152
  3. PRODUCT SPEC: PS-70246 APPLIES.
  4. WAFER TO BE FLAT WITHIN (0.03MM/CM) 0.003IN/IN
  5. DIMENSIONS FOR PLATING LOCATION : A-MEASURE POINT FOR THICKNESS.  
B-MINIMUM COVERAGE
  6. GOLD END OF PIN UNLESS OVERALL PLATED.
  7. PLATING : 50µin MIN NICKEL UNDERPLATE OVERALL.  
15µin MIN AU & 75µin MIN TIN IN SELECTED AREAS.
  8. PART TO BE PACK IN TUBE
  9. MATERIAL:  
PINS: .025 SQ. 260 BRASS.  
WAFER: PBT, GLASS FILLED, UL94V-0, COLOR-BLACK.
10.  SOLDER TAIL POSITION TOLERANCE TO BE GAUGED.

ADD NOTE 10. EC NO: S2009-0830 DRWN:SKANG CHKD:ATSEE APPR:MLONG	2009/09/28 2009/09/30 2009/10/02	DESCRIPTION REV	QUALITY SYMBOLS  = 0  = 0	GENERAL TOLERANCES (UNLESS SPECIFIED) <table border="1"> <tr><th colspan="2">mm</th><th>INCH</th></tr> <tr><td>4 PLACES</td><td>± ---</td><td>± ---</td></tr> <tr><td>3 PLACES</td><td>± ---</td><td>± .008</td></tr> <tr><td>2 PLACES</td><td>± 0.20</td><td>± ---</td></tr> <tr><td>1 PLACE</td><td>± ---</td><td>± ---</td></tr> </table> ANGULAR ± 3 °	mm		INCH	4 PLACES	± ---	± ---	3 PLACES	± ---	± .008	2 PLACES	± 0.20	± ---	1 PLACE	± ---	± ---	DIMENSION STYLE IN/MM DRAWN BY: JWAN DATE: 1993/10/25 CHECKED BY: KCLING DATE: 1993/10/27 APPROVED BY: JMCCHAN DATE: 1993/10/27	SCALE NTS	DESIGN UNITS METRIC	 THIRD ANGLE PROJECTION	TITLE C-GRID, SHROUDED HEADER R/A (SLOTTED W/O STANDOFFS)	 MOLEX INCORPORATED	MATERIAL NO. SEE TABLE	DOCUMENT NO. SD-70247-**66	SHEET NO. 2 OF 2							
	mm		INCH																																
	4 PLACES	± ---	± ---																																
	3 PLACES	± ---	± .008																																
2 PLACES	± 0.20	± ---																																	
1 PLACE	± ---	± ---																																	
DRAFT WHERE APPLICABLE MUST REMAIN WITHIN DIMENSIONS				DIMENSION STYLE IN/MM		SCALE NTS		DESIGN UNITS METRIC		TITLE C-GRID, SHROUDED HEADER R/A (SLOTTED W/O STANDOFFS)		MATERIAL NO. SEE TABLE		DOCUMENT NO. SD-70247-**66		SHEET NO. 2 OF 2																			
ADD NOTE 10. EC NO: S2009-0830 DRWN:SKANG CHKD:ATSEE APPR:MLONG 2009/09/28 2009/09/30 2009/10/02				QUALITY SYMBOLS  = 0  = 0				DIMENSION STYLE IN/MM DRAWN BY: JWAN DATE: 1993/10/25 CHECKED BY: KCLING DATE: 1993/10/27 APPROVED BY: JMCCHAN DATE: 1993/10/27				SCALE NTS DESIGN UNITS METRIC  THIRD ANGLE PROJECTION				TITLE C-GRID, SHROUDED HEADER R/A (SLOTTED W/O STANDOFFS)  MOLEX INCORPORATED				MATERIAL NO. SEE TABLE DOCUMENT NO. SD-70247-**66 SHEET NO. 2 OF 2															
D1				DRAFT WHERE APPLICABLE MUST REMAIN WITHIN DIMENSIONS				DIMENSION STYLE IN/MM				SCALE NTS				DESIGN UNITS METRIC				TITLE C-GRID, SHROUDED HEADER R/A (SLOTTED W/O STANDOFFS)				MATERIAL NO. SEE TABLE				DOCUMENT NO. SD-70247-**66				SHEET NO. 2 OF 2			

9 8 7 6 5 4 3 2 1