



Features

- Carbon element
- Metal housing
- 15-60 mm travel
- Single and dual gang
- Center detent option
- Dust cover option
- RoHS compliant*

Applications

- Audio/TV sets
- Car radio
- Amplifiers/mixers/drum machines/synthesizers
- PCs/monitors
- Appliances

PTA Series - Low Profile Slide Potentiometer

Electrical Characteristics

TaperLinear, audio
 Standard Resistance Range
1 K ohms to 1 M ohms
 Standard Resistance Tolerance±20 %
 Residual Resistance
500 ohms or 1 % max.
 Insulation Resistance
Min. 100 megohms at 250 V DC

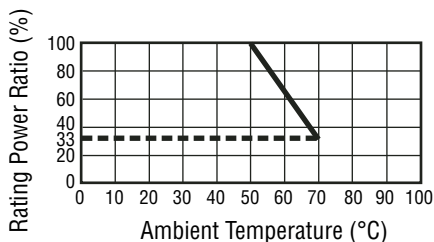
Environmental Characteristics

Operating Temperature
-10 °C to +50 °C
 Power Rating, Linear
 15 mm0.05 W (0.025 W Dual Gang)
 20 mm0.1 W (0.05 W)
 30 mm0.2 W (0.1 W)
 45 mm0.25 W (0.125 W)
 60 mm0.25 W (0.125 W)
 Power Rating, Audio
 15 mm ..0.025 W (0.015 W Dual Gang)
 20 mm0.05 W (0.025 W)
 30 mm0.1 W (0.05 W)
 45 mm0.125 W (0.06 W)
 60 mm0.125 W (0.06 W)
 Maximum Operating Voltage, Linear
 15 mm100 V DC
 20-60 mm.....200 V DC
 Maximum Operating Voltage, Audio
 15 mm50 V DC
 20-60 mm.....150 V DC
 Withstand Voltage, Audio
1 Min. at 300 V AC
 Sliding Noise100 mV maximum
 Tracking Error.....3 dB at -40 to 0 dB

Mechanical Characteristics

Operating Force30 to 250 g-cm
 Stop Strength.....5 kg-cm min.
 Sliding Life15,000 cycles
 Soldering Condition
300 °C max. within 3 seconds
 Travel15, 20, 30, 45, 60 mm

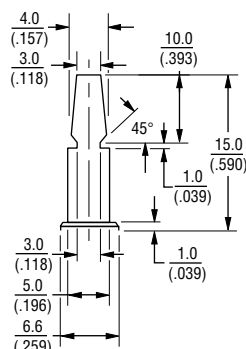
Derating Curve



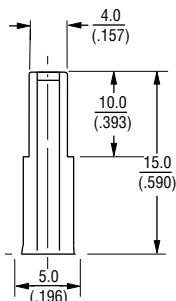
Lever Style & Product Dimensions

Actuator Styles

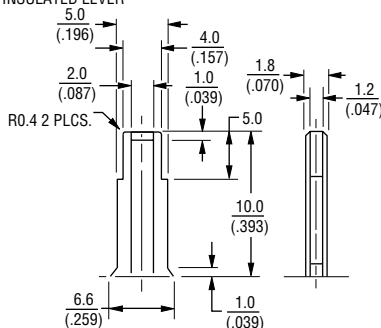
DP METAL LEVER



CP METAL LEVER



CI INSULATED LEVER



DIMENSIONS ARE: $\frac{\text{MM}}{\text{(INCHES)}}$

How To Order

Model **PTA 15 4 3 - 2 0 10 DP B 203**

Stroke Length
 • 15 = 15 mm
 • 20 = 20 mm
 • 30 = 30 mm
 • 45 = 45 mm
 • 60 = 60 mm

Dust Cover Option
 • 4 = No Dust Cover
 • 5 = Rubber Dust Cover

No. of Gangs
 • 3 = Single Gang
 • 4 = Dual Gang

Pin Style
 • 2 = PC Pins Down Facing

Center Detent Option
 • 0 = No Detent
 • 2 = Center Detent

Standard Lever Length (See Table)
 • 10 = 10 mm (CI Lever)
 • 15 = 15 mm (DP, CP and CI)

Lever Style
 • DP = Metal Lever (Refer to Drawing)
 • CP = Metal Lever (Refer to Drawing)
 • CI = Insulated Lever (Refer to Drawing)

Resistance Taper
 • A = Audio Taper
 • B = Linear Taper

Resistance Code (See Table)

Other styles available

Standard Resistance Table

Resistance (Ohms)	Resistance Code
1,000	102
2,000	202
5,000	502
10,000	103
20,000	203
50,000	503
100,000	104
200,000	204
500,000	504
1,000,000	105

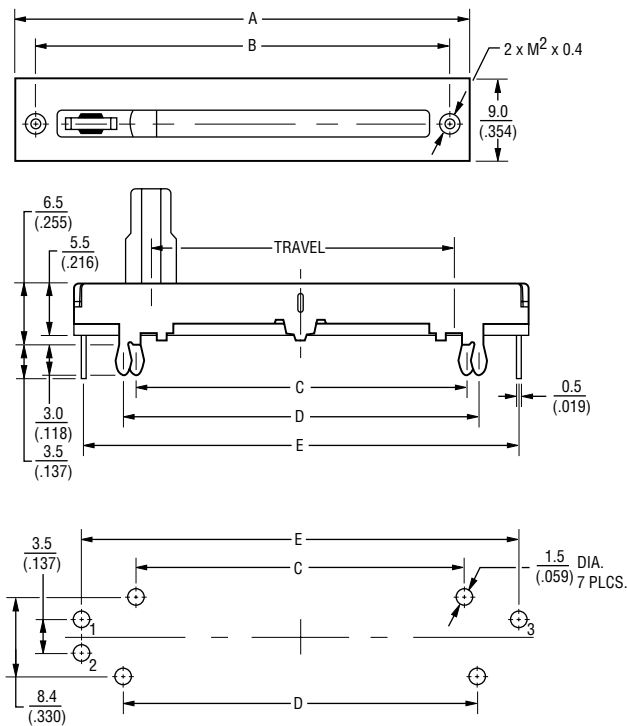
*RoHS Directive 2002/95/EC Jan 27 2003 including Annex. Specifications are subject to change without notice. Customers should verify actual device performance in their specific applications.

PTA Series - Low Profile Slide Potentiometer

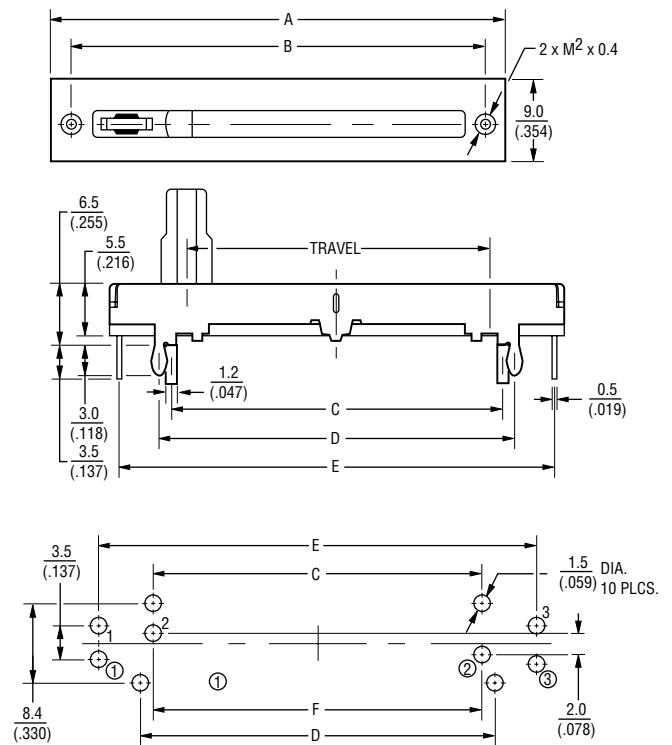
BOURNS®

Product Dimensions

PTAxx43



PTAxx44



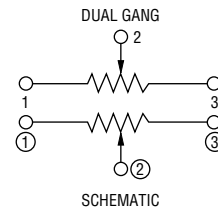
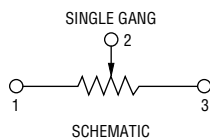
DIMENSIONS: $\frac{\text{MM}}{(\text{IN.})}$

Single Gang Dimensions

Model	A	B	C	D	E	Travel
PTA1543	30 (3.18)	26 (1.02)	17.8 (.700)	20.2 (.795)	28.5 (1.12)	15 mm (.59)
PTA2043	35 (1.37)	31 (1.22)	22.8 (.897)	25.2 (.992)	33.5 (1.31)	20 mm (.787)
PTA3043	45 (1.77)	41 (1.61)	32.8 (1.29)	35.2 (1.38)	43.5 (1.71)	30 mm (1.18)
PTA4543	60 (2.36)	56 (2.20)	47.8 (1.88)	50.2 (1.97)	58.5 (2.30)	45 mm (1.77)
PTA6043	75 (2.95)	71 (2.79)	62.8 (2.47)	65.2 (2.56)	73.5 (2.89)	60 mm (2.36)

Dual Gang Dimensions

Model	A	B	C	D	E	F	Travel
PTA1544	30 (3.18)	26 (1.02)	17.8 (.700)	20.2 (.795)	28.5 (1.12)	18 (.708)	15 mm (.59)
PTA2044	35 (1.37)	31 (1.22)	22.8 (.897)	25.2 (.992)	33.5 (1.31)	23 (.905)	20 mm (.787)
PTA3044	45 (1.77)	41 (1.61)	32.8 (1.29)	35.2 (1.38)	43.5 (1.71)	33 (1.29)	30 mm (1.18)
PTA4544	60 (2.36)	56 (2.20)	47.8 (1.88)	50.2 (1.97)	58.5 (2.30)	48 (1.88)	45 mm (1.77)
PTA6044	75 (2.95)	71 (2.79)	62.8 (2.47)	65.2 (2.56)	73.5 (2.89)	63 (2.48)	60 mm (2.36)



REV. 03/06

Specifications are subject to change without notice.
Customers should verify actual device performance in their specific applications.