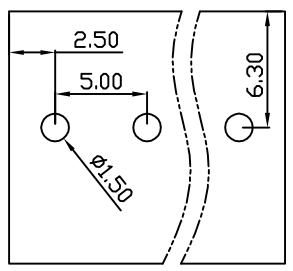
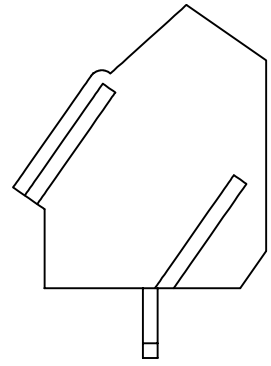
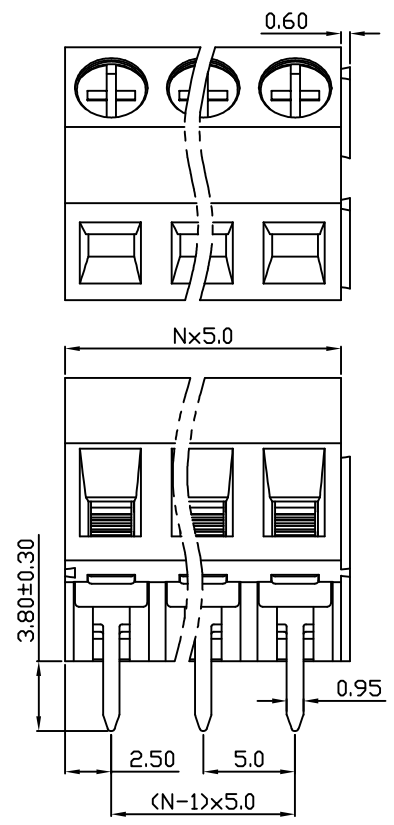
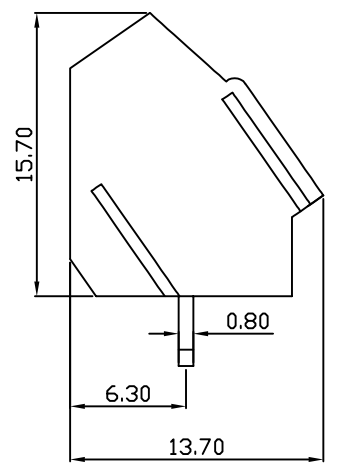


linear dimension(Tolerances Standard GB/T 14486-2008)								—		
variable range	to	over	over	over	over	over	over	to	over	over
	6	6 to 10	10 to 30	30 to 60	60 to 100	100 to 160	160 to	to 10	to 100	to 100
tolerance	±0.20	±0.30	±0.50	±0.70	±1.00	±1.30	±1.60	0.10	0.30	0.60



PCB Layout



DB103 — 5.0 — XXP — C — S/P

(Series No.) (Pitch) (Poles)

(Color) : 1.(Green) 2.(Black) 3.(Blue) 4.(Clear) 5.(Gray)
6.(Orange) 7.(Red) 8.(White) 9.(Yellow)

Slotted/Phillips

APPD: JTING Chen 2022.4.6
CHKD: Duck Mao 2022.4.6
DRFT: Steven Lu 2022.4.6

UL/CUL 技术参数			
UL/CUL Technical Data			
等级 Use Group	B	C	D
额定电压 Rated Voltage [V]	300	-	300
额定电流 Rated Current [A]	16	-	10
接线范围 Wire Range	24-12		
单/多芯线 Solid/Stranded [AWG]			
耐电压 Withstanding Voltage	1600V/1Min		
IEC 技术参数			
IEC Technical Data			
过电压类别 Overvoltage Category	III	III	II
污染等级 Contamination Class	3	2	2
额定电压 Rated Voltage [V]	250	400	630
额定电流 Rated Current [A]	24	24	24
额定冲击电压 Impulse withstand voltage [KV]	4	4	4
导线截面积 Conductor cross section	2.5		
硬质/柔性导线 Solid/flexible [mm ²]			
材料 Material			
绝缘材料 Insulation Material	PA66		
阻燃等级 Inflammability	UL94V-0		
导体材料 Contact Material	铜合金 Copper alloy		
导体表面镀层 Contactive Coating	镀锡 Sn Plated		
一般参数 Other Data			
间距 Pitch [mm]	5.0		
极数 Poles [P]	02-24		
剥线长度 Stripping Length [mm]	6-7		
螺丝 Screw/扭矩 Torque(Max) [N.m]	M2.5/0.4		
工作温度 Operating temperatur [°C]	-40~+105		
引针尺寸 Pin Dimensions [mm]	0.80x0.95		
PCB板孔径 PCB Hole Diameter [mm]	1.50		

DORABO 宁波地博电气有限公司
Ningbo Dorabo Electric CO., Ltd

NAME: DB103-5.0-XXP-C-P

	SIZE: A4		REV	TO-1
TYPE: CUSTOMER_DRAWING	SCALE: 1:1	SHEET	1/1	