

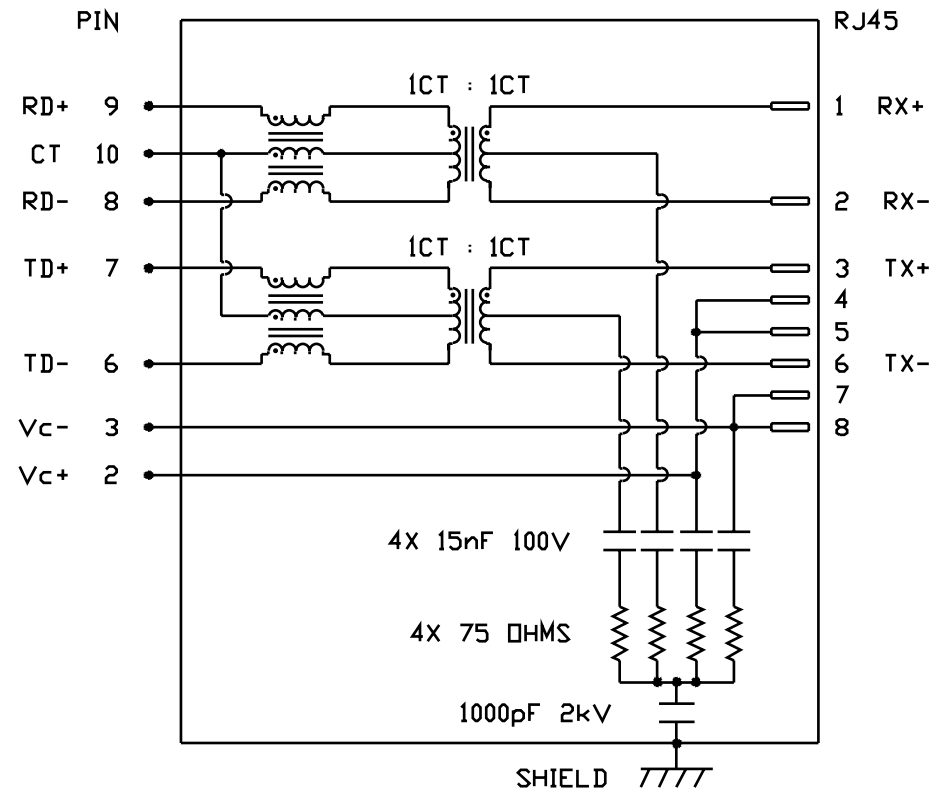
# INTEGRATED CONNECTOR MODULES

0833-2X4R-59 Power over Ethernet MagJack® 2 x 4

## ELECTRICAL CHARACTERISTICS @ 25°C

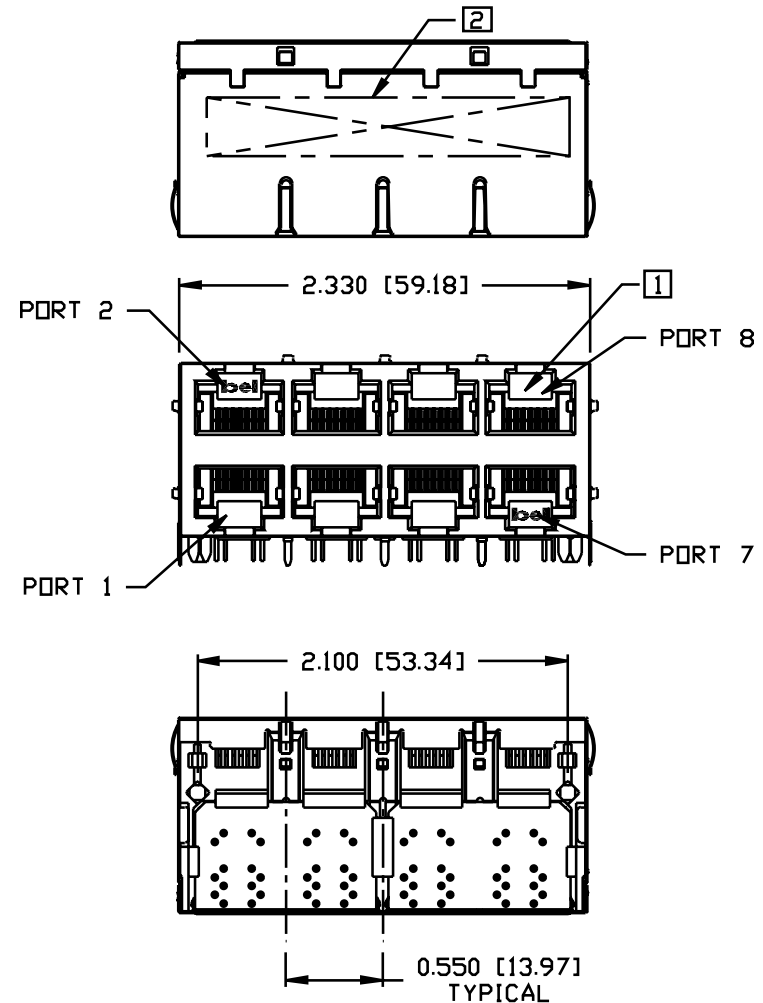
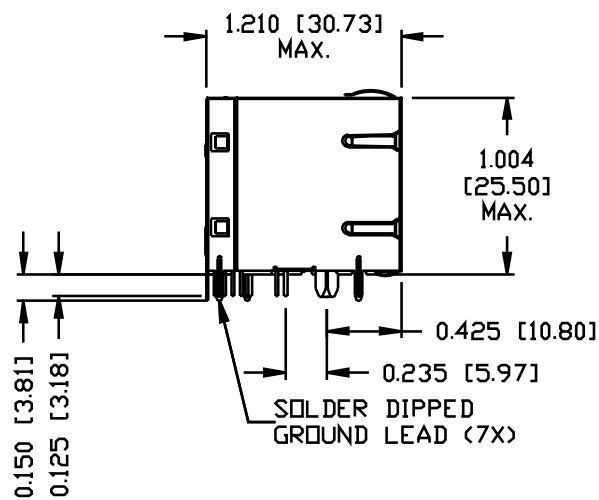
<p> <b>URNS RATIO</b>  <b>QCL @ 0.1V, 100KHz</b>          8mA DC BIAS  <b>INSERTION LOSS</b>          100KHz TO 100MHz  <b>RETURN LOSS (MIN.)</b>          2MHz-30MHz          60MHz-80MHz  <b>LEAKAGE INDUCTANCE</b>          PRIMARY W/ SECONDARY SHORTED  <b>D.C. RESISTANCE</b>          (9-8)=(7-6)          (RJ1-RJ2)=(RJ3-RJ6)  <b>INTERWINDING CAPACITANCE</b>          PER CHANNEL (PRI. to SEC.)  <b>XTALK</b>          100KHz TO 100MHz  <b>HIPOT (Isolation Voltage):</b>          100% OF PRODUCT TESTED IN PRODUCTION  <b>BALANCED DC LINE CURRENT</b> </p>	<p> <b>1CT : 1CT ±2%</b>  <b>350µ H MIN.</b>  <b>-1.5 dB MAX.</b>  <b>16 dB MIN.</b>  <b>10 dB MIN.</b>  <b>0.25µH MAX. @ 1MHz</b>  <b>1.40 ΩHMAX.</b>  <b>1.0 ΩHMAX.</b>  <b>40 pF MAX.</b>  <b>-30 dB MIN.</b>  <b>2250 VDC</b>  <b>350 mA MAX. @ 57 VDC CONTINUOUS</b>  <b>500 mA MAX. @ 57 VDC FOR 200 MILLISECONDS</b> </p>
---	--

## SCHEMATIC



# INTEGRATED CONNECTOR MODULES

0833-2X4R-59 Power over Ethernet MagJack® 2 x 4



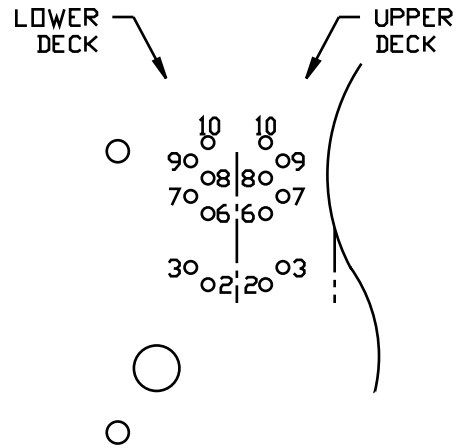
**NOTES:**

- PLASTIC HOUSING: THERMOPLASTIC PA 4/6  
FLAMMABILITY RATING UL 94V-0
- CONTACT PLATING: 50 MICRO-INCH HARD GOLD PLATING
- OUTPUT PINS: TIN-COATED COPPER WIRE, DIA 0.018 INCH.
- SOLDERABILITY: PER MIL STD. 202, METHOD 208.
- METAL SHIELD: NICKEL PLATED COPPER ALLOY.  
(ALL GROUND LEADS ARE SOLDER DIPPED)

- [1] JACK CAVITY CONFORMS TO FCC RULES AND REGULATIONS, PART 68 SUBPART F.
- [2] MARK PART WITH MFG LOGO, MFG NAME, PART NUMBER, AND DATE CODE.

# INTEGRATED CONNECTOR MODULES

0833-2X4R-59 Power over Ethernet MagJack® 2 x 4

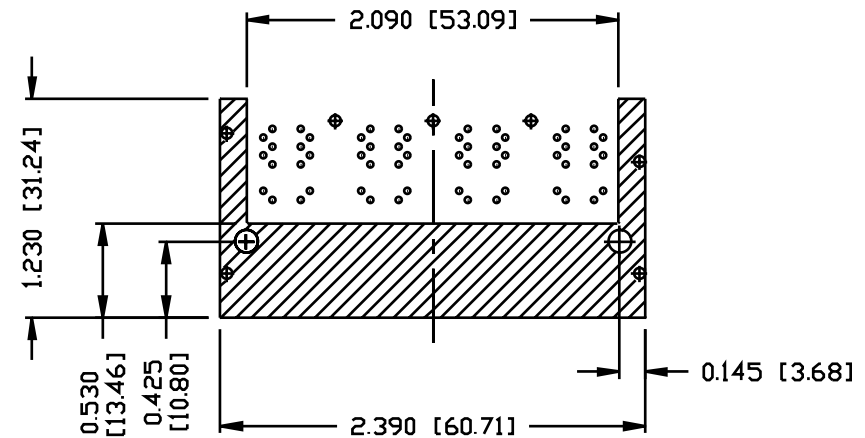
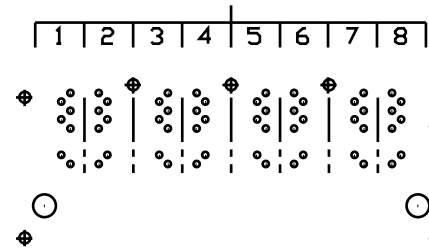


PIN-OUT INFORMATION  
(COMPONENT SIDE VIEW)

10	COMMON CT
9	RD+
8	RD-
7	TD+
6	TD-
5	NO PIN
4	NO PIN
3	Vc-
2	Vc+
1	NO PIN

UNUSED PIN LOCATIONS MUST BE REMOVED TO ENSURE 2KV ISOLATION.

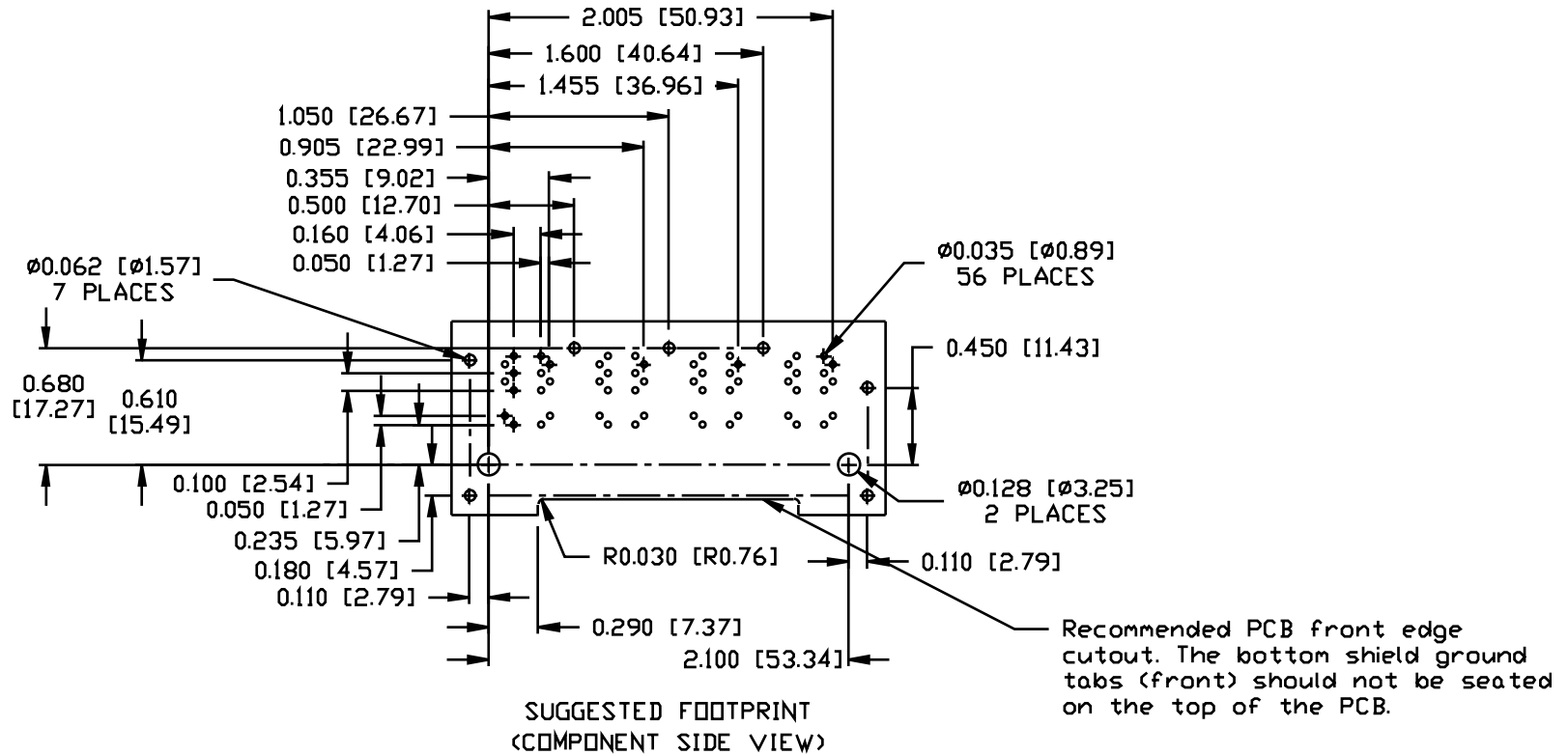
PORT ASSIGNMENT  
(COMPONENT SIDE VIEW)



THE SHADED AREA OF BOTTOM SIDE OF PART MAY BE COVERED BY METAL SHIELD.

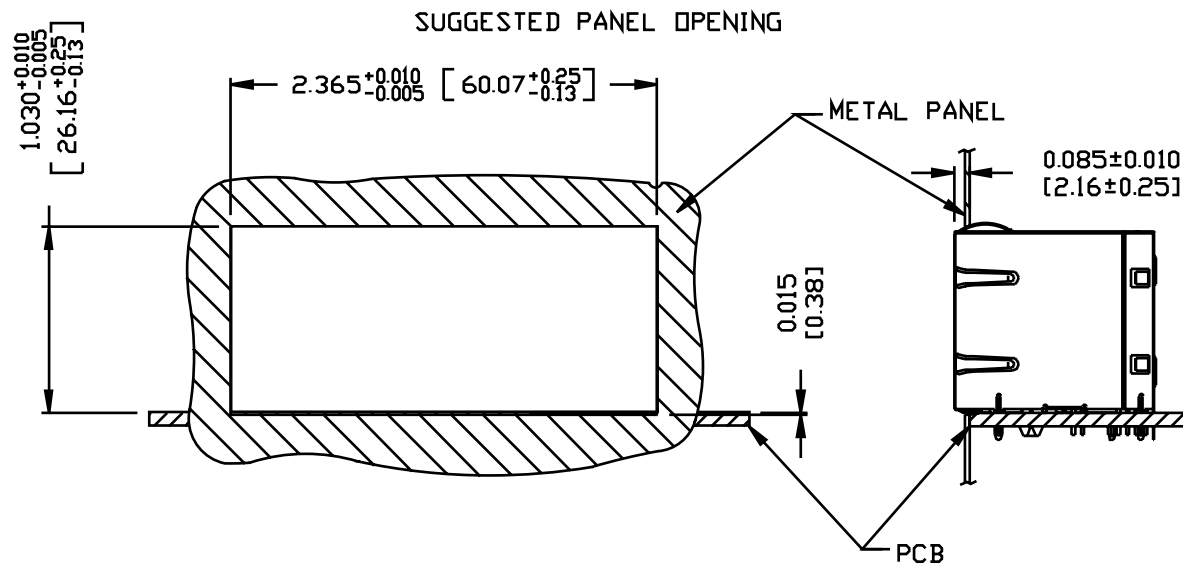
# INTEGRATED CONNECTOR MODULES

0833-2X4R-59 Power over Ethernet MagJack® 2 x 4



## INTEGRATED CONNECTOR MODULES

0833-2X4R-59 Power over Ethernet MagJack® 2 x 4



**NOTE:**

THE DISTANCE OF PANEL INSIDE SURFACE RELATIVE TO FRONT SURFACE OF PART IS ONLY A SUGGESTION. IN CASE THIS DISTANCE IS DIFFERENT, THE REQUIRED PANEL OPENING DIMENSIONS CHANGE ACCORDINGLY.

**PACKING INFORMATION**

PACKING TRAY : 0200-0148-46 (TOP)

0200-0148-47 (BOTTOM)

PACKING QUANTITY : 20 PCS FINISHED GOODS PER TRAY.

7 TRAYS (140 PCS FINISHED GOODS) PER CARTON BOX.

NOTE : CARDBOARDS ARE PLACED BETWEEN LAYERS OF PACKING TRAY INSIDE CARTON BOX.  
(INCLUDE THE UPPERMOST AND LOWERMOST TRAY)