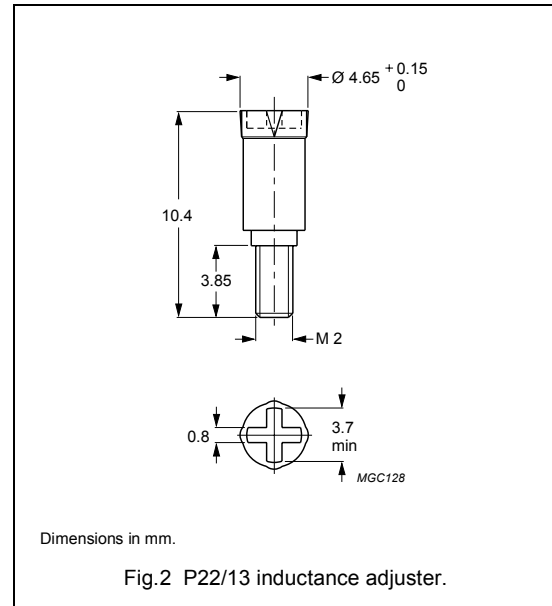


INDUCTANCE ADJUSTERS

General data

PARAMETER	SPECIFICATION
Material of head and thread	polypropylene (PP), glass fibre reinforced
Maximum operating temperature	125 °C



Inductance adjuster selection chart ^{sup} (applies to all types)

GRADE	A _L (nH)	TYPES FOR LOW ADJUSTMENT	ΔL/L (1)	TYPES FOR MEDIUM ADJUSTMENT	ΔL/L (1)	TYPES FOR HIGH ADJUSTMENT	ΔL/L (1)
3H3	100	–	–	ADJ-P22/RM8-RED	16	ADJ-P22/RM8-ORANGE	21
	160	ADJ-P22/RM8-RED	11	ADJ-P22/RM8-ORANGE	17	ADJ-P22/RM8-WHITE	27
	250	ADJ-P22/RM8-ORANGE	10	ADJ-P22/RM8-WHITE	18	–	–
	315	ADJ-P22/RM8-ORANGE	7	–	–	ADJ-P22/RM8-BROWN	22
	400	ADJ-P22/RM8-WHITE	11	ADJ-P22/RM8-BROWN	17	ADJ-P22/RM8-BLACK	30
	630	ADJ-P22/RM8-BROWN	10	ADJ-P22/RM8-BLACK	18	–	–
	1000	ADJ-P22/RM8-BROWN	6	ADJ-P22/RM8-BLACK	12	–	–
	1250	ADJ-P22/RM8-BROWN	4	ADJ-P22/RM8-BLACK	7	–	–
3D3	40	–	–	–	–	ADJ-P22/RM8-ORANGE	27
	63	–	–	–	–	ADJ-P22/RM8-ORANGE	26
	100	–	–	ADJ-P22/RM8-RED	16	ADJ-P22/RM8-ORANGE	23
	160	ADJ-P22/RM8-RED	10	ADJ-P22/RM8-ORANGE	15	–	–

Note

- Maximum adjustment range.