



Wall Industries, Inc.

**PS1K5U Series**  
**1500 Watt Single Output**  
**PFC and Current Sharing**  
**AC/DC Switching Power Supply**

**FEATURES**

- Remote Sense
- Universal AC Input
- Power Failure Signal
- Remote ON/OFF Control
- 0.98 Typical Power Factor
- Programmable Output Voltage
- Forced Current Sharing at Parallel Operation
- 5 LED Indicators display AC, DC, OTP Status
- Short Circuit/ Over Load/ Over Voltage/ Over Temperature Protection



**SPECIFICATIONS: PS1K5U Series**

All specifications are based on 25°C, Nominal Input Voltage, and Maximum Output Current unless otherwise noted.  
 We reserve the right to change specifications based on technological advances.

**INPUT SPECIFICATIONS**

Input Voltage Range	90 ~ 260VAC
Input Frequency	47 to 63Hz
Input Current	7.0A @ 230VAC Typical
Inrush Current	RESULT A: 84.0A (Typical)
Leakage Current	< 7.0mA at 240VAC
Remote ON/OFF Control	Compatible with a TTL signal to turn ON/OFF

**OUTPUT SPECIFICATIONS**

Output Voltage	See Table
Output Power Range	1500 Watts max.
Output Voltage Adjustability	3% Typical adjustment by potentiometer 20% ~ 100% Adjustment by 1 ~ 5VDC external control.
Line Regulation	Less than 1%
Load Regulation	Less than 1%
Output Current	See Table
Ripple & Noise (peak to peak)	1% max
Setup, Rise, Hold-Up Time	RESULT A: 12.4ms
Temperature Coefficient	±0.04% / °C (0 ~ 50°C)
Remote Sense	Yes

**PROTECTION**

Over Voltage Protection	110% ~ 135% (variable "OVP" follows the adjustable DC output voltage)
Over Load Protection	Current limiting 3 times (1.5", 3.0", 5.0") then intelligent auto recovery before shutdown.

**GENERAL SPECIFICATIONS**

Efficiency	See Table
Power Factor	0.98 (Typical)
Power Failure Signal	Open Drain of NPN Transistor
Parallel Operation	Yes

**ENVIRONMENTAL SPECIFICATIONS**

Working Temperature	0°C to +50°C @ 100% Load, +65°C @ 50% Load.
Storage Temperature	-20°C to +85°C
Working Humidity	20% to 90% RH
Storage Humidity	10% to 95% RH
Vibration	10 ~ 200Hz, 2g 10 min./1cycle, Period of 60 min. for each axis.
Cooling	Power rating and temperature controlled fan.

**PHYSICAL SPECIFICATIONS**

Weight	3.75kg
Dimensions	279(L) x 203(W) x 63.5(H) mm

**SAFETY & EMC**

Safety Standards	UL1950, TUV EN60950
EMC Standards	EN55022, EN61000-4-2,3,4,5,6,8,11, EN61000-3-2,3, ENV50204



Wall Industries, Inc.

PS1K5U Series  
1500 Watt Single Output  
PFC and Current Sharing  
AC/DC Switching Power Supply

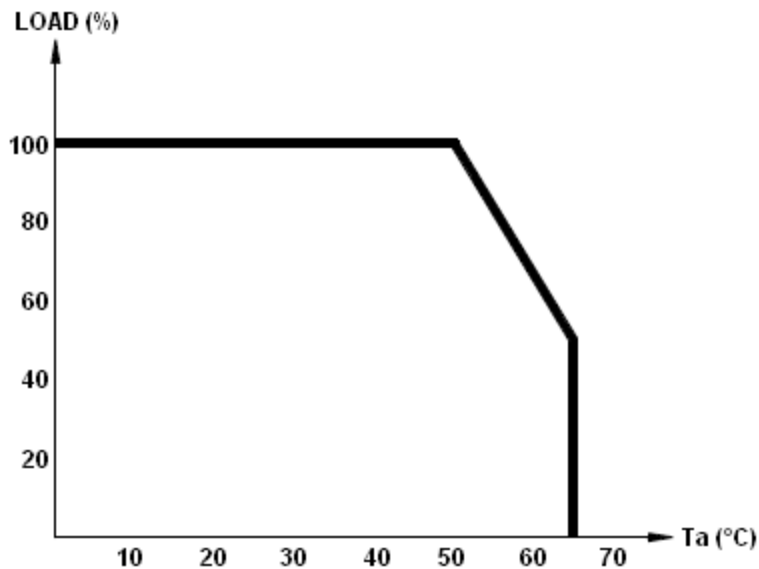
### OUTPUT VOLTAGE / CURRENT RATING CHART

Model Number	Output Voltage	Output Current	Maximum Output Power	Ripple & Noise	Efficiency
PS1K5U-P012	12 VDC	125A	1500W	1%	84%
PS1K5U-P015	15 VDC	100A	1500W	1%	85%
PS1K5U-P018	18 VDC	83.3A	1500W	1%	85%
PS1K5U-P024	24 VDC	62.5A	1500W	1%	88%
PS1K5U-P030	30 VDC	50A	1500W	1%	88%
PS1K5U-P036	36 VDC	41.6A	1500W	1%	88%
PS1K5U-P048	48 VDC	31.25A	1500W	1%	89%
PS1K5U-P060	60 VDC	25A	1500W	1%	90%

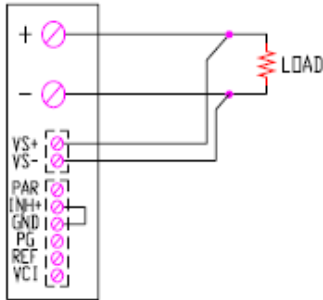
### NOTES

1. Dimensions of the mechanical drawing are shown in millimeters and inches.
2. Weight of the unit is 3750 grams.

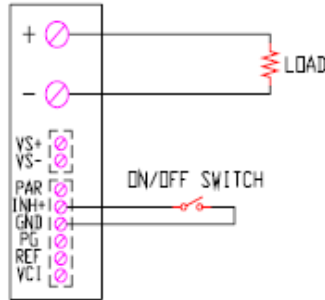
### DERATING CURVE



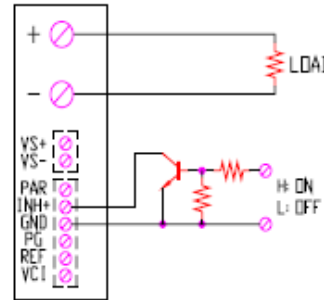
#### CONNECTOR PIN-OUT DRAWINGS



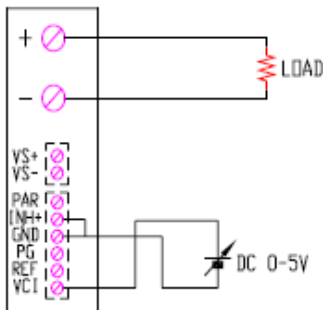
REMOTE SENSING  
(FOR REMOTE SENSING MODEL ONLY)



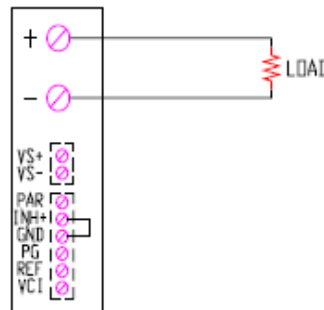
ON/OFF CONTROL BY SWITCH



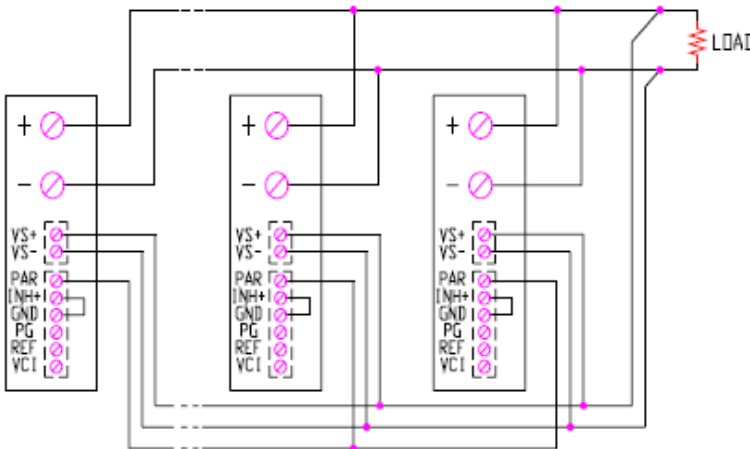
ON/OFF CONTROL BY TRANSISTOR



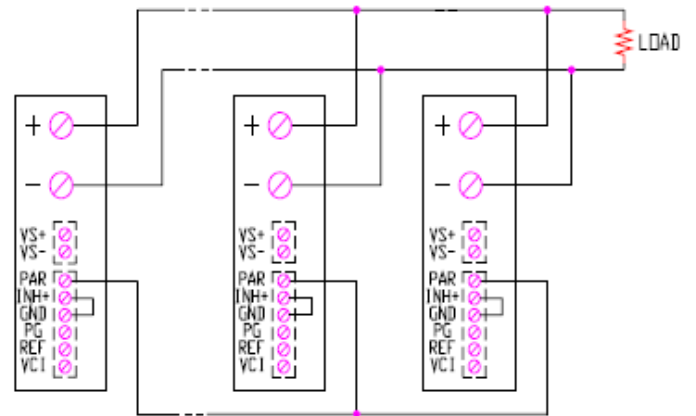
OUTPUT VOLTAGE ADJUST WITH DC 0-5V



USING INTERNAL VOLTAGE CONTROL



PARALLEL OPERATION WITH REMOTE SENSING



PARALLEL OPERATION WITHOUT REMOTE SENSING



Wall Industries, Inc.

PS1K5U Series  
1500 Watt Single Output  
PFC and Current Sharing  
AC/DC Switching Power Supply

MECHANICAL DRAWING

Dimensions: mm [inches]

