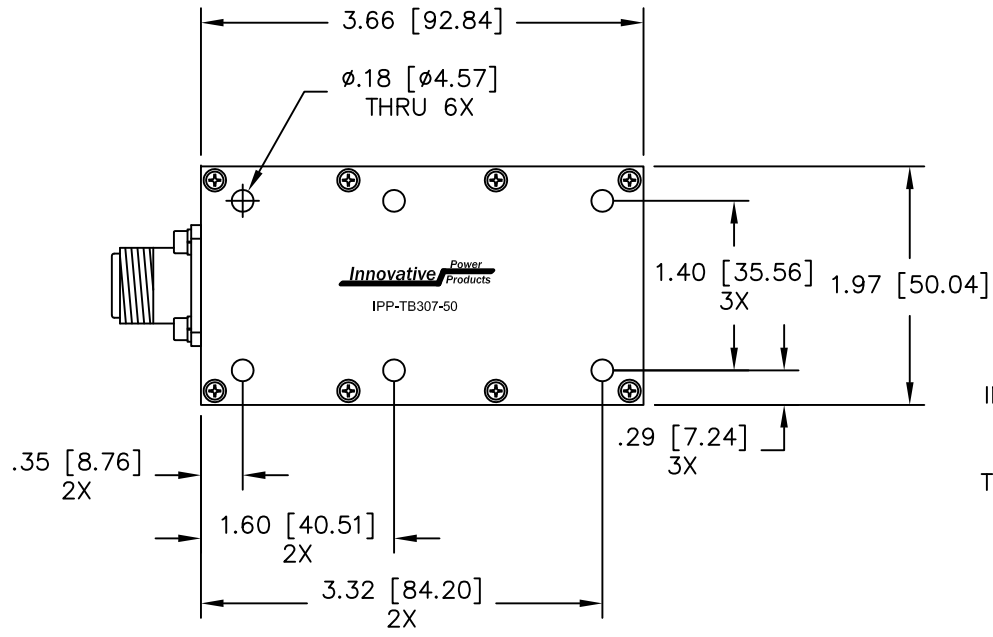
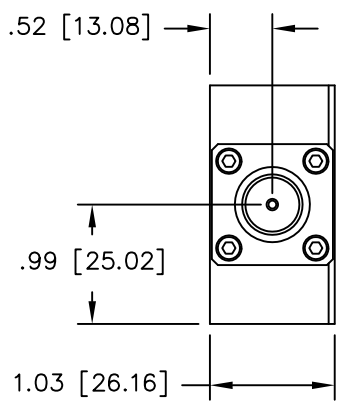


UNAUTHORIZED USE OF THIS  
DRAWING IS STRICTLY PROHIBITED

DAR	REV	DESCRIPTION	APPVD	DATE
2886	A	INITIAL RELEASE	DG	1-11
2928	B	SEE DAR	DG	2-11
3477	C	SEE DAR	DG	2-12
5105	D	SEE DAR	DG	8-14



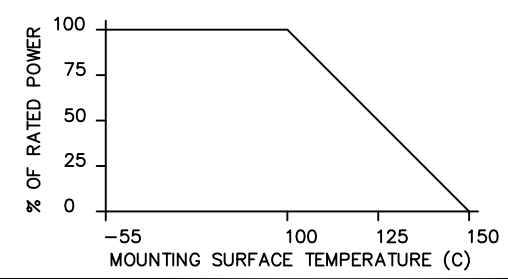
**NOTES**

- CONNECTOR TYPE "N" FEMALE
- RoHS COMPLIANT.

**ELECTRICAL SPECIFICATIONS**

INPUT POWER: 800 WATT  
 FREQ: DC - 500MHZ.  
 VSWR: <1.50:1  
 TEMPERATURE: -55°C TO 100°C

POWER DERATING CURVE



PART NO.	VALUE	TOLERANCE
IPP-TB307-50	50 OHMS	+/- 5%

MATERIAL AL. ALLOY 6061-T651	DWN S.Cornell	DATE 3-24-10	<b>Innovative Power Products</b>	
	ENG DG	DATE 5-10		
FINISH CHEM FILM CLEAR PER MIL-DTL-5541, TYPE 2, REV F, CLASS 3, ROHS COMPLIANT	MANUF	DATE	TITLE TERMINATION, 800 WATT, CONNECTORIZED	
	CAGE CODE: 437R2		SIZE B	P/N IPP-TB307-XXX
TOLERANCE .XX ±.02 .XXX ±.010 ANG. ±1/2°	SHEET OF 1 1	SCALE 1:1		