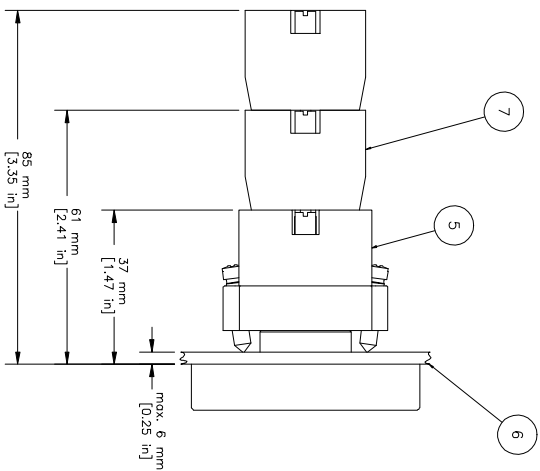
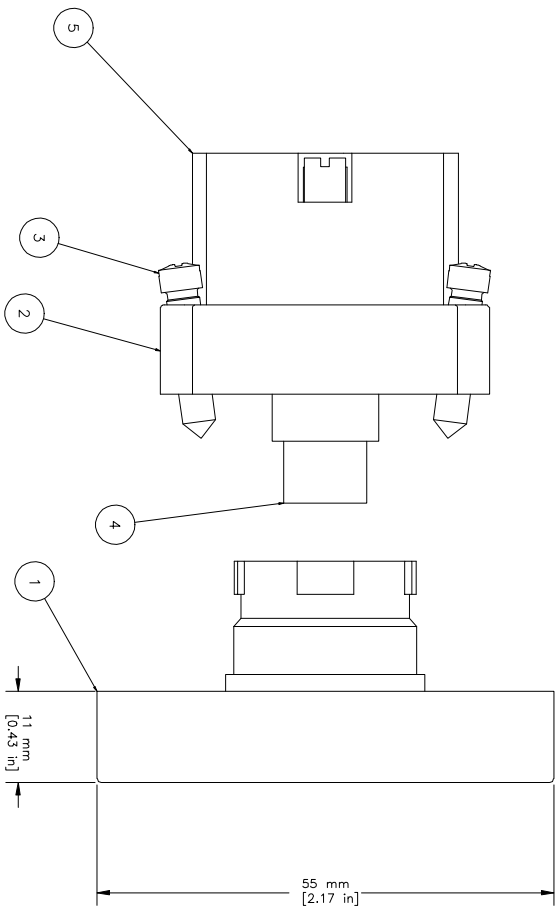
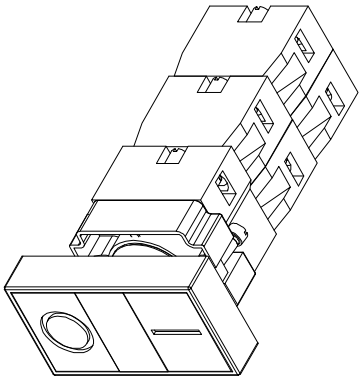


REV. CH. NO.	DESCRIPTION	DATE	REVISED BY
-	ORIGINAL DESIGN	10/31/07	Phil E.

REVISIONS FOR DWG # 1PB-ATL5LB FyFy-10-xxx



ITEM	DESCRIPTION	CAT. NO.	VOLTAGE	COLOR	MIN. QTY.	MAX. QTY.
1	Twin Touch/ I-O marked, flush, illuminated center (comes with 2BRK)	2ATL5LB F3F 4-I-O-012	110 V AC/DC	Red/Green/Amber	1	1
		2ATL5LB F3F 4-I-O-024	24 V AC/DC	Red/Green/Amber	1	1
		2ATL5LB F3F 4-I-O-048	48 V AC/DC	Red/Green/Amber	1	1
		2ATL5LB F3F 4-I-O-110	110 V AC/DC	Red/Green/Amber	1	1
		2ATL5LB F3F 4-I-O-230	230 V AC/DC	Red/Green/Amber	1	1
		2ATL5LB F2F 1-I-O-012	110 V AC/DC	White/Black/Amber	1	1
		2ATL5LB F2F 1-I-O-024	24 V AC/DC	White/Black/Amber	1	1
		2ATL5LB F2F 1-I-O-048	48 V AC/DC	White/Black/Amber	1	1
		2ATL5LB F2F 1-I-O-110	110 V AC/DC	White/Black/Amber	1	1
		2ATL5LB F2F 1-I-O-230	230 V AC/DC	White/Black/Amber	1	1
2	Mounting Bracket	2BRK	-	-	1	1
3	Mounting Bracket Screws	incl. in 2BRK	-	-	2	2
4	LED Bulb	incl. in 2BRK	-	-	1	1
5	Bulb Holder	incl. in 2BRK	-	-	1	1
6	Panel	S1	-	Green	1	4
		S2	-	Red	1	4
		S3	-	Green/Gray	1	4
		S4	-	Red/Gray	1	4
7	Switch Contacts				1	4

TITLE: 22mm Twin Touch Metal Illuminated Flush 10-marked Operators 2ATL5LB FyFy-xxx (xxx=voltage, y=color)

DRAWN BY: Philipp Ernstberger	10/31/07	DRAWING NO.: 1PB-ATL5LB FyFy-10-xxx	REV.: -
CHECKED BY: Laszlo Gyorgypal	10/31/07	SCALE: -	SHEET: 1 OF: 1
RELEASED BY: Laszlo Gyorgypal	10/31/07		

UNLESS OTHERWISE SPECIFIED
 • ALL DIMENSIONS ARE IN MILLIMETERS
 • THIRD ANGLE PROJECTION

TOLERANCE

XX	±1 mm
XX.X	±0.5 mm
XX.XX	±0.2 mm
ALL	- mm

This Drawing is the property of **Attech Corp.**
 AND IS A CONFIDENTIAL DISCLOSURE
 LENT WITHOUT CONSIDERATION OTHER
 THAN THE BORROWER'S AGREEMENT
 THAT IT SHALL NOT BE REPRODUCED,
 COPIED, LENT, OR DISPOSED OF
 DIRECTLY OR INDIRECTLY NOR USED
 FOR ANY PURPOSE OTHER THAN THAT
 FOR WHICH IT IS SPECIFICALLY
 FURNISHED.

35 Royal Road
 Flemington NJ 08822-6000
 (908) 806-9400 • Fax (908) 806-9490