

PLEASE CHECK WWW.MOLEX.COM FOR LATEST PART INFORMATION

Part Number: **5019301100**
Status: **Active**
Overview: duoclassp
Description: 1.25mm (.049") Pitch Duo-Clasp™ Wire-to-Board Crimp Terminal, Reel

Documents:

| | |
|---|---|
| Packaging Specification (PDF) | Product Specification PS-501931-002 (PDF) |
| Drawing (PDF) | RoHS Certificate of Compliance (PDF) |
| Application Specification (PDF) | |

General

| | |
|-------------------------|------------------|
| Product Family | Crimp Terminals |
| Series | <u>501930</u> |
| Crimp Quality Equipment | Yes |
| Overview | <u>duoclassp</u> |
| Product Name | Duo-Clasp™ |

Physical

| | |
|--------------------------------|--------------|
| Durability (mating cycles max) | 30 |
| Gender | Plug |
| Material - Metal | Copper Alloy |
| Material - Plating Mating | Gold |
| Material - Plating Termination | Tin |
| Packaging Type | Reel |
| Plating min: Mating (µin) | 4 |
| Plating min: Mating (µm) | 0.1 |
| Plating min: Termination (µin) | 40 |
| Plating min: Termination (µm) | 1 |
| Wire Insulation Diameter | 0.8-1.0mm |
| Wire Size AWG | 26, 28 |
| Wire Size mm² | N/A |

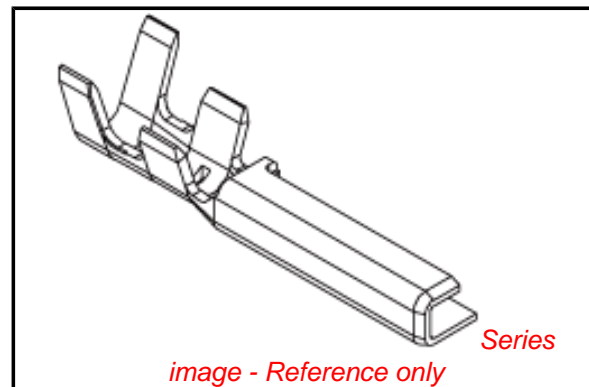
Electrical

| | |
|-------------------------------|-----------------|
| Current - Maximum per Contact | 1A |
| Voltage - Maximum | 50V AC (RMS)/DC |

Material Info

Reference - Drawing Numbers

| | |
|---------------------------|---|
| Application Specification | AS-503110-001, AS-503110-002 |
| Packaging Specification | SPK-501930-001 |
| Product Specification | PS-501931-002, RPS-501931-001, RPS-501931-002 |
| Sales Drawing | SD-501930-001 |



EU RoHS

**ELV and RoHS
Compliant**
**REACH SVHC
Contains SVHC: No**
**Halogen-Free
Status
Not Reviewed**

China RoHS



**Need more information on product
environmental compliance?**

Email productcompliance@molex.com
 For a multiple part number RoHS Certificate of
 Compliance, [click here](#)

Please visit the [Contact Us](#) section for any
 non-product compliance questions.

Search Parts in this Series

501930Series

Mates With

501931 PCB Receptacle . 502046 PCB
 Receptacle

Use With

503110 Crimp Housing

Application Tooling | FAQ

*Tooling specifications and manuals are
 found by selecting the products below.
 Crimp Height Specifications are then
 contained in the Application Tooling
 Specification document.*

Global

| Description | Product # |
|---|-------------------|
| Extraction Tool | <u>0638132700</u> |
| Fine Adjust Applicator for 1.25mm (.049") Pitch Wire-to-Board Connector Dual Plug | <u>0639006600</u> |

Terminals, 26-28
AWG
T2 Terminator 0639106600
Tooling Die for
1.25mm (.049")
Pitch Wire-to-Board
Connector Dual Plug
Terminals, 26-28
AWG

Hand Tool for 0638194400
1.25mm (.049")
CLIK-Mate™ Wire-
to-Board Crimp
Terminal, 26-28
AWG

Japan

Description **Product #**

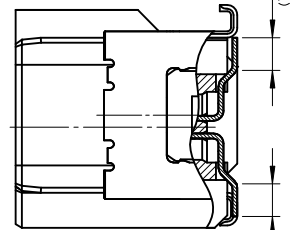
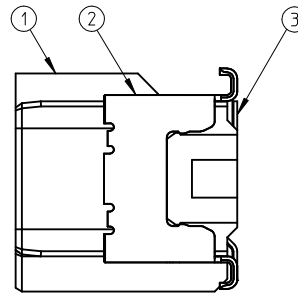
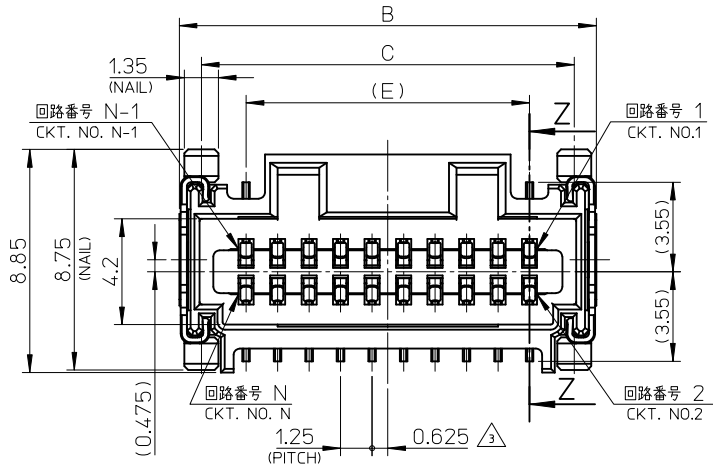
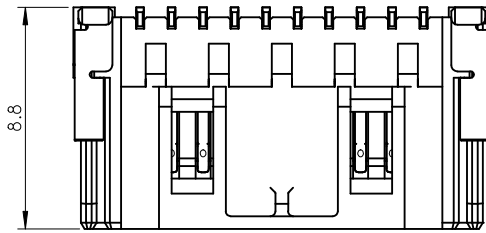
Hand Crimp Tool - 5780345300
Straight Action
Applicator for M21 1A 5780343000
Bench Press, 26-28
AWG, for 501930
Crimp Terminal

This document was generated on 06/01/2010

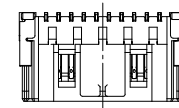
PLEASE CHECK WWW.MOLEX.COM FOR LATEST PART INFORMATION

NOTES

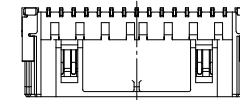
1. 嵌合相手: 503110-****.
MATE WITH: 503110-****.
2. 端子テール部 及び ネイルの平坦度: 0.1MAX.
TAIL AND NAIL COPLANARITY TO BE 0.1 MAX.
3. 極数/2=偶数に適用.
APPLY FOR CKT. SIZE / 2 = EVEN.
4. 端子テール部 及び ネイルに錫めっきを使用しているため、
外観に摺動痕が付く場合が御座います。
THE WOUND OF FRICTION MIGHT ADHERE TO EXTERNALS
BECAUSE THE TIN PLATING IS USED FOR THE TAIL AND NAIL.
5. 本製品のプラスチック部に黒点等が確認される場合や
色合いが異なる場合がありますが、製品性能に影響はありません。
THERE IS NO INFLUENCE IN THE PRODUCT PERFORMANCE THOUGH
THE BLACK SPOT ETC. MIGHT BE CONFIRMED TO THE PLASTIC PART
OF THIS PRODUCT AND THE SHADE MIGHT BE DIFFERENT.
6. ELV 及び RoHS 適合品
ELV AND ROHS COMPLIANT



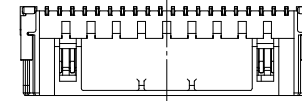
SECTION Z-Z



20ckt.



30ckt.



40ckt.

極数の種類 (正面図)

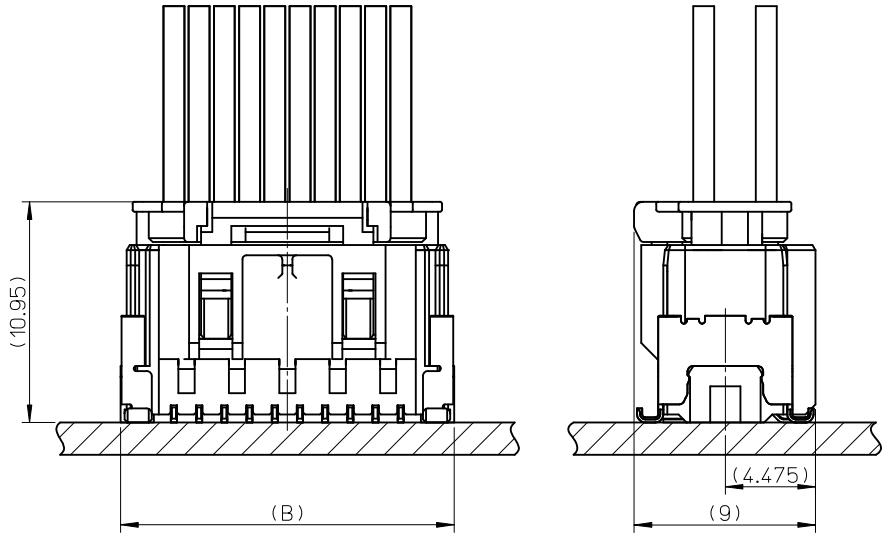
KIND OF CKT. NO. (FRONT VIEW)

| | | | | | | | |
|-------|-------|-------|-------|-------|-------|--------------------------------------|----------------|
| 17 | 23.75 | 25.3 | 27.3 | 29.05 | 29.5 | 501931-4070 | 40 |
| 10.75 | 17.5 | 19.05 | 21.05 | 22.8 | 23.25 | 501931-3070 | 30 |
| 4.5 | 11.25 | 12.8 | 14.8 | 16.55 | 17 | 501931-2070 | 20 |
| F | E | D | C | B | A | EMBOSSED PACKAGE オーダー番号 ORDER No. | 極数 CIRCUITS |

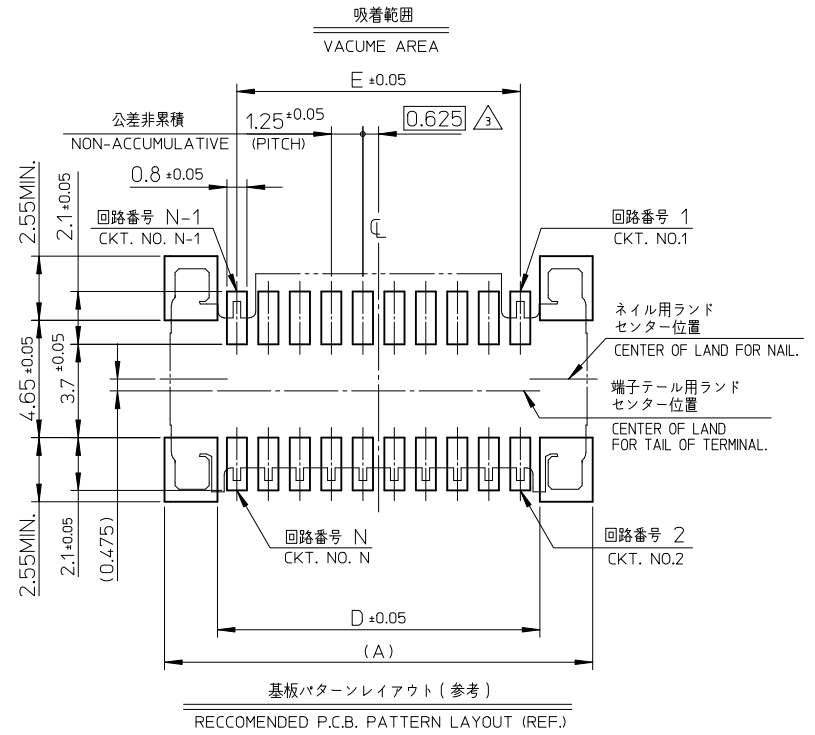
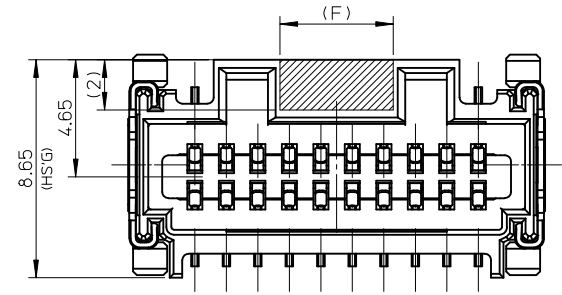
CONNECTOR SERIES No. 501931-**00

| 番号 NO. | 部品 PART | 材質 MATERIAL |
|-----------|-------------------|--|
| ① | ハウジング HOUSING | ポリアミド (PA) UL94V-0 色: 自然色 POLYAMIDE (PA) UL94V-0 COLOR:NATURAL |
| ② | ターミナル TERMINAL | 銅合金 COPPER ALLOY 金めっき (接点部): 0.1 micro-meter MIN. GOLD (CONTACT AREA) 錫めっき (テール部): 1.0 micro-meter MIN. TIN (TAIL AREA) ニッケルめっき (下地): 1.0 micro-meter MIN. NICKEL (UNDER PLATING) |
| ③ | ネイル NAIL | 銅合金 COPPER ALLOY 錫めっき: 1.0 micro-meter MIN. TIN ニッケルめっき (下地): 1.0 micro-meter MIN. NICKEL (UNDER PLATING) |

| | | | | | | | | | |
|---|--------------|--|-------|----------------------------|---|--|------------------------|------------------------|--|
| REVISED EC NO: J2010-1115 DRWN: NYOSHIKAWA 2009/12/03 CHKD: K. ASAKAWA 2009/12/07 APPR: NUKITA 2009/12/07 | DESCRIPTION | GENERAL TOLERANCES (UNLESS SPECIFIED) | | DIMENSION STYLE MM ONLY | | SCALE 5:1 | DESIGN UNITS METRIC | THIRD ANGLE PROJECTION | |
| | | 10 UNDER | ±0.2 | DRAWN BY T. MIYAZAKI | DATE 2006/03/13 | TITLE 1.25 W/B CONN. DUAL S/T REC. ASS'Y | | | |
| | | 10 OVER 30 UNDER | ±0.25 | CHECKED BY K. ASAKAWA | DATE 2006/03/13 | MOLEX INCORPORATED DOCUMENT NO. SD-501931-001 SHEET NO. 1 OF 2 | | | |
| | | 30 OVER | ±0.3 | APPROVED BY S. ICHIKAWA | DATE 2006/03/13 | | | | |
| REV | ANGULAR ±3 ° | DRAFT WHERE APPLICABLE MUST REMAIN WITHIN DIMENSIONS | | SIZE A3 | THIS DRAWING CONTAINS INFORMATION THAT IS PROPRIETARY TO MOLEX INCORPORATED AND SHOULD NOT BE USED WITHOUT WRITTEN PERMISSION | | | | |

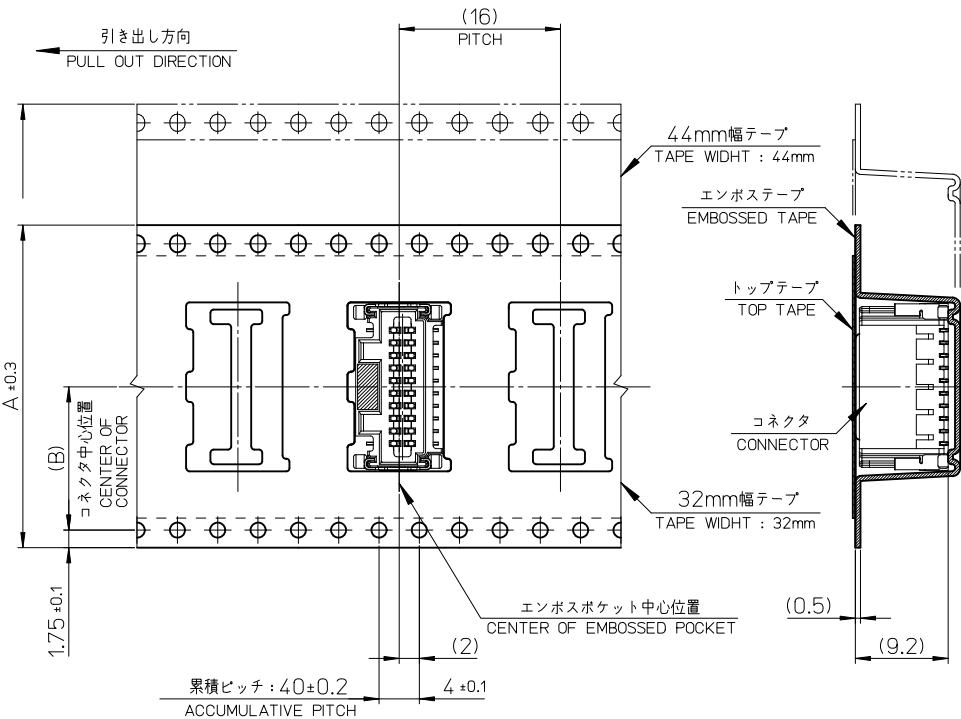
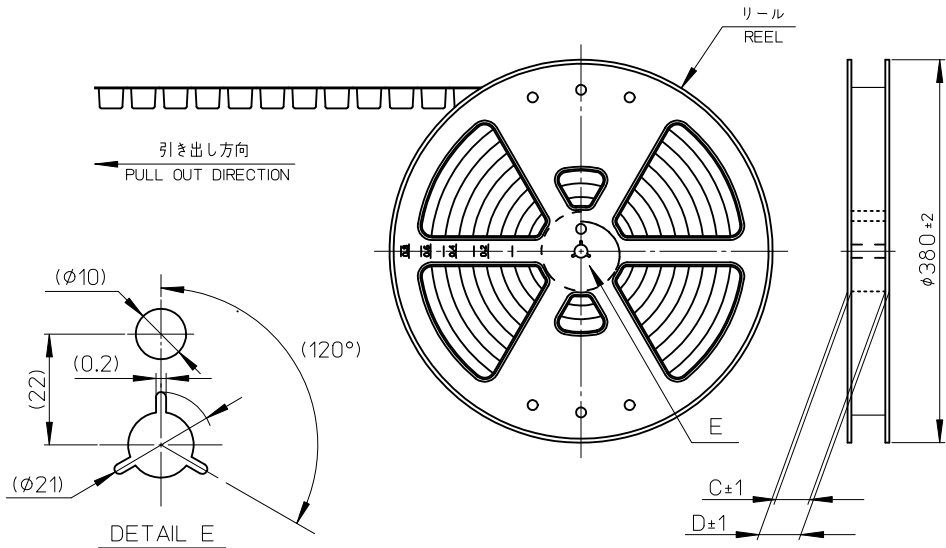


嵌合図
MATED CONNECTORS



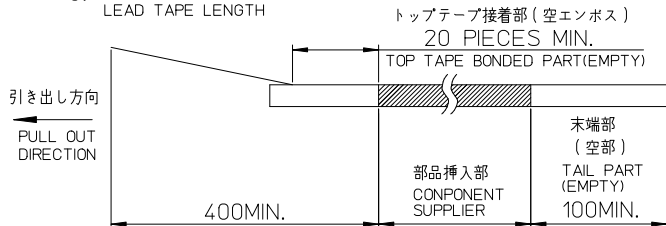
| | | | | | | | |
|--|--|--------------|---|--------------|---------------|------------------------------------|--|
| REVISED EC NO: J2010-1115 DRWN: YOSHIKAWA 2009/12/03 CHK'D: ASAKAWA 2009/12/07 APPR: NUKITA 2009/12/07 | GENERAL TOLERANCES (UNLESS SPECIFIED) | | DIMENSION STYLE | SCALE | DESIGN UNITS | THIRD ANGLE PROJECTION | |
| | | | MM ONLY | 5:1 | METRIC | | |
| | 10 UNDER | ± 0.2 | DRAWN BY | DATE | TITLE | 1.25 W/B CONN. DUAL S/T REC. ASS'Y | |
| | 10 OVER 30 UNDER | ± 0.25 | T. MIYAZAKI | 2006/03/13 | | | |
| | 30 OVER | ± 0.3 | CHECKED BY | DATE | | | |
| | ANGULAR ± 3 ° | K. ASAKAWA | 2006/03/13 | APPROVED BY | DATE | | |
| | DRAFT WHERE APPLICABLE MUST REMAIN WITHIN DIMENSIONS | S. ICHIKAWA | 2006/03/13 | S. ICHIKAWA | 2006/03/13 | | |
| | | MATERIAL NO. | SEE SHEET 1 | DOCUMENT NO. | SD-501931-001 | SHEET NO. 2 OF 2 | |
| | | SIZE | THIS DRAWING CONTAINS INFORMATION THAT IS PROPRIETARY TO MOLEX INCORPORATED AND SHOULD NOT BE USED WITHOUT WRITTEN PERMISSION | | | | |
| | | A3 | | | | | |

10 9 8 7 6 5 4 3 2 1



NOTES

- 製品詳細寸法については、SD-501931-001 を参照下さい。
PLEASE REFER TO SD-501931-001 FOR THE DETAILED DIMENSION OF THE CONNECTOR.
- 梱包数量 : 550個
NUMBER OF CONNECTORS : 550 PIECES/REEL.
- リードテープ長さ
LEAD TAPE LENGTH



- 材料 MATERIAL
キャリアテープ: ポリスチレン (PS)
CARRIER TAPE: POLYSTYRENE (PS)
トップテープ: ポリエステル (PET)、その他
TOP TAPE: POLYESTER (PET)、OTHER
リール: ポリスチレン (PS) <リサイクル材を含む>
REEL: POLYSTYRENE (PS) <RECYCLE MATERIAL CONTAINED>
- ELV 及び RoHS 適合品
ELV AND RoHS COMPLIANT

| | | | | | | |
|------|------|------|----|-----------------------------|---------------------------------------|----------------|
| 49.4 | 45.4 | 20.2 | 44 | 44 | 501931-4070 | 40 |
| 49.4 | 45.4 | 20.2 | 44 | 44 | 501931-3070 | 30 |
| 37.4 | 33.4 | 14.2 | 32 | 32 | 501931-2070 | 20 |
| D | C | B | A | エンボステープ幅 A WIDTH OF TAPE | EMBOSSSED PACKAGE オーダー番号 ORDER No. | 極数 CIRCUITS |

| | | | | | | | | | | | | |
|--|--|---|-------------------------|-----------------|---------------|--|---------|--|--------|--------------------|--|--------|
| RELEASED EC NO: J2010-1115 DRWN: YOSHIKAWA 2009/12/03 CHK'D: ASAKAWA 2009/12/07 APPR: NUKITA 2009/12/07 | DESCRIPTION GENERAL TOLERANCES (UNLESS SPECIFIED) DIMENSION STYLE SCALE DESIGN UNITS THIRD ANGLE PROJECTION | 10 UNDER ± 0.2 | 10 OVER 30 UNDER ± 0.25 | 30 OVER ± 0.3 | ANGULAR ± 3 ° | DRAFT WHERE APPLICABLE MUST REMAIN WITHIN DIMENSIONS | MM ONLY | --- | METRIC | ◎ □ | | |
| | | DRAWN BY T. MIYAZAKI | | DATE 2006/03/13 | | TITLE | | 1.25 W/B CONN. DUAL S/T REC. EMBTP PKG | | | | |
| | | CHECKED BY K. ASAKAWA | | DATE 2006/03/13 | | APPROVED BY S. ICHIKAWA | | DATE 2006/03/13 | | MOLEX INCORPORATED | | |
| | | MATERIAL NO. | | SEE TABLE | | DOCUMENT NO. | | SD-501931-002 | | SHEET NO. | | 1 OF 1 |
| A | REV | THIS DRAWING CONTAINS INFORMATION THAT IS PROPRIETARY TO MOLEX INCORPORATED AND SHOULD NOT BE USED WITHOUT WRITTEN PERMISSION | | | | | | | | | | |