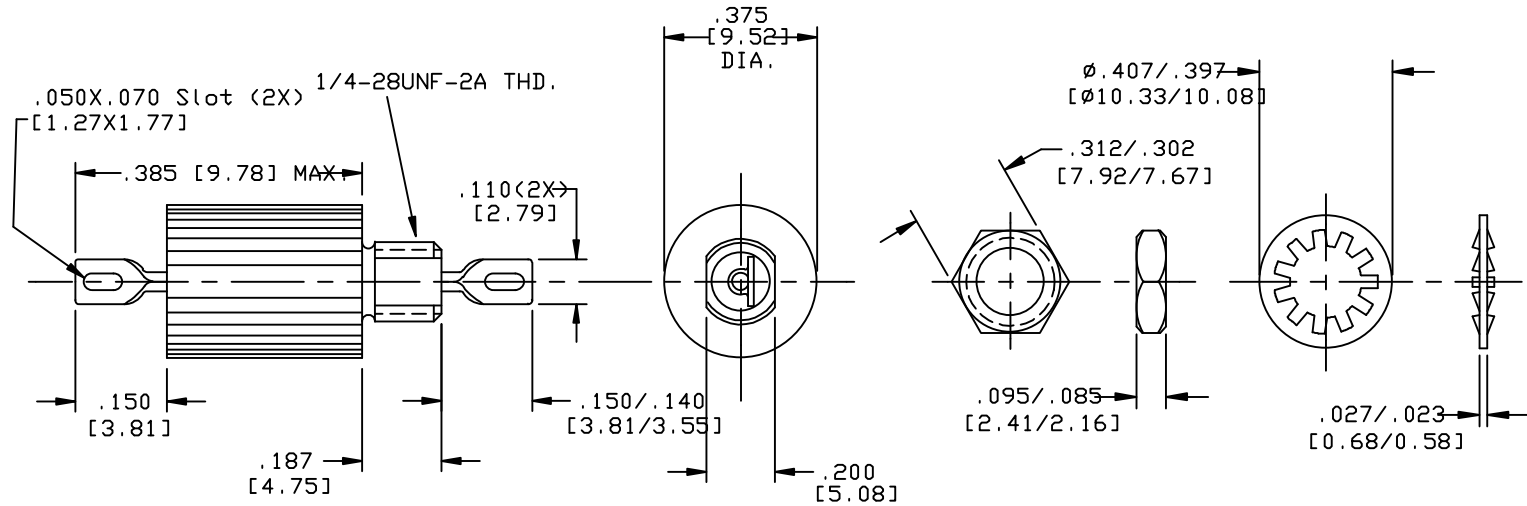


CASE FINISH	CURRENT (AMPS)	WORKING VOLTAGE				MAXIMUM DC RESISTANCE (OHMS)	MAXIMUM VOLTAGE DROP		MINIMUM CAPACITANCE (uF)	MIN. INSERTION LOSS PER MIL-STD-220 FULL LOAD, +25°C													
		-55°C TO +85°C		-55°C TO +125°C			DC	AC		14	30	50	75	100	150	300	500	1	10	100	1	10	
		AC	DC	AC	DC					KHz	KHz	KHz	KHz	KHz	KHz	KHz	KHz	MHz	MHz	MHz	GHz	GHz	
SOLDER	15	--	80	--	50	0.008	--	--	1.4	--	15	--	--	25	28	33	--	44	60	70	70	--	

PART MARKING:  
 SCI 9053-100-0001  
 DATE CODE

PACKAGE MARKING:  
 STANDARD

MARKING NOTES:  
 N/A



SCHMATIC



MTG. HARDWARE

NOTES:

1) MOUNTING TORQUE NOT TO EXCEED 7in-lbs.

													2	1	REV	UNLESS OTHERWISE SPECIFIED DIMENSIONS ARE IN INCHES. [MILLIMETERS] DO NOT SCALE.	TOLERANCES UNLESS OTHERWISE SPECIFIED Fractions Dec. .xx± Dec. .xxx±010 Angles ±0° 30'	SPECTRUM CONTROL INC. ERIE, FAIRVIEW PENNSYLVANIA	DwnMAYNARD Ckd3/31/98	Description Low Pass EMI Filter	9053-100-0001		
													CN 183713	CN 148903	CHANGE NOTICING								
																						Code Ident. No. DLSP2	Sheet 1 of 1

Quality Products From The Specialists In Electro-Magnetic Compatibility