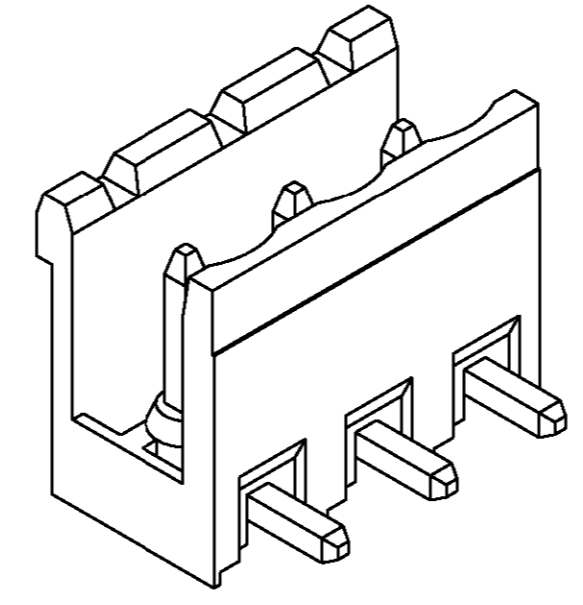
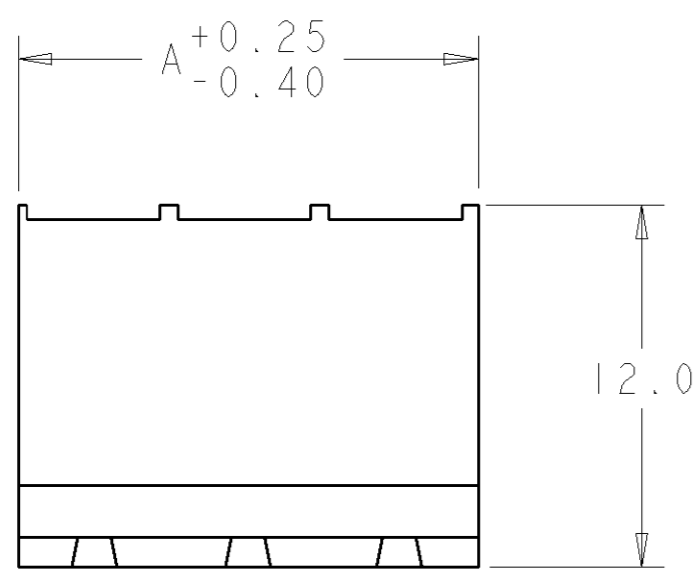


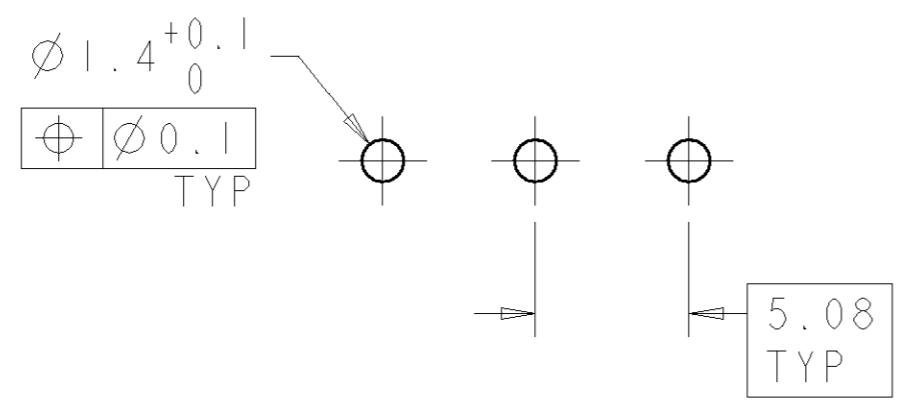
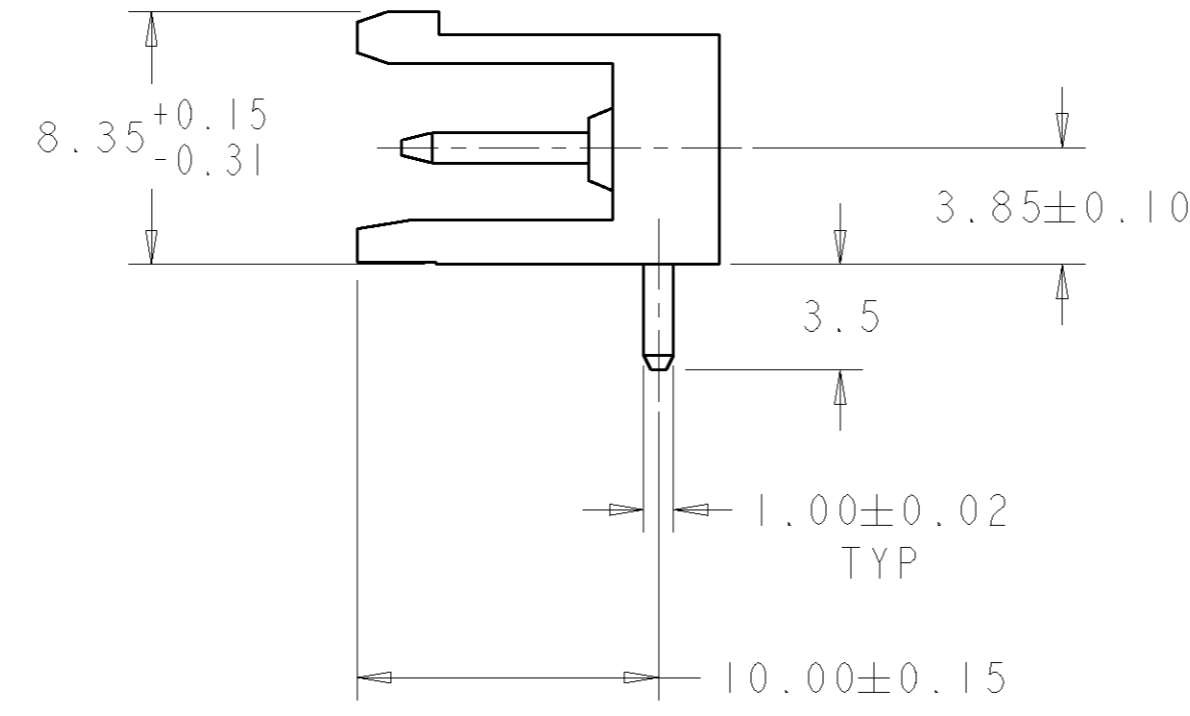
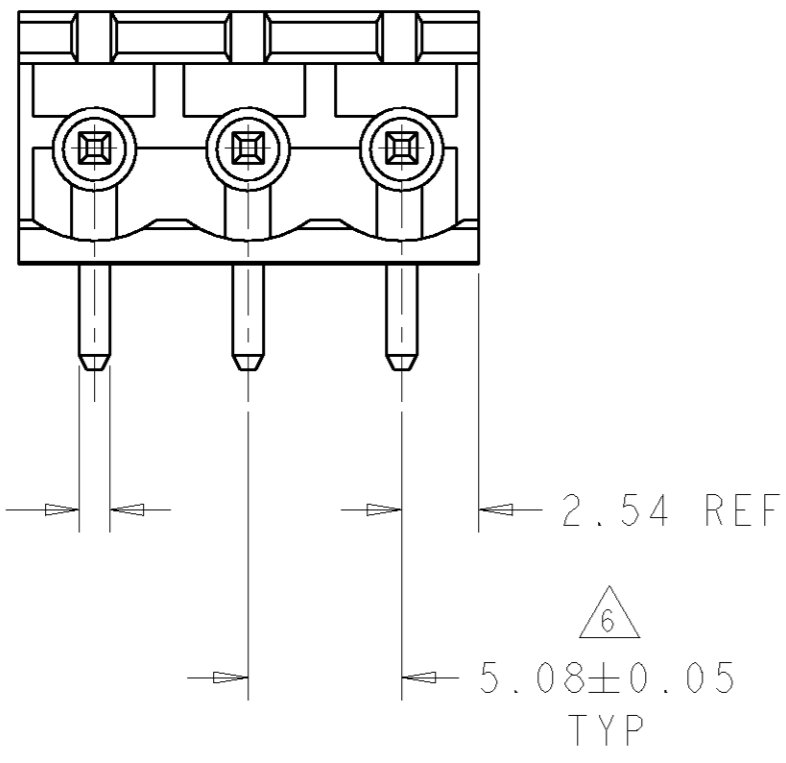
THIS DRAWING IS UNPUBLISHED. RELEASED FOR PUBLICATION 20
 © COPYRIGHT 20 BY TYCO ELECTRONICS CORPORATION. ALL RIGHTS RESERVED.

LOC	DIST	REVISIONS					
		P	LTR	DESCRIPTION	DATE	DWN	APVD
FT	0		O	PRELIMINARY	-	-	-
			A	RELEASED EC 063B-0137-04	22MAR2004	SW	CR
			B	REVISED EC 063B-0440-04	29JUN2004	SW	CR



1546518-3 AS SHOWN

- 1. MATERIALS AND FINISH
 HOUSING: PA 6-6, UL 94-V0, COLOR BLACK.
 TERMINAL: PHOSPHOR BRONZE, TIN PLATED.
- 2. SUITABLE FOR 1,6-2,4mm PC BOARD THICKNESS.
- 3. END-TO-END STACKABLE WITHOUT LOSS OF CENTERLINE SPACING.
- 4. RECOGNIZED UNDER THE COMPONENT PROGRAM OF UNDERWRITERS LABORATORIES INC. FILE N° E60677.
- 5. IMQ CERTIFICATE WITH SURVEILLANCE IN CONFORMITY WITH IEC 998-1/998-2-1.
- 6. NOT CUMULATIVE TOLERANCE.



RECOMMENDED PC BOARD LAYOUT

127.00	25	2-1546518-5
121.92	24	2-1546518-4
116.84	23	2-1546518-3
111.76	22	2-1546518-2
106.68	21	2-1546518-1
101.60	20	2-1546518-0
96.52	19	1-1546518-9
91.44	18	1-1546518-8
86.36	17	1-1546518-7
81.28	16	1-1546518-6
76.20	15	1-1546518-5
71.12	14	1-1546518-4
66.04	13	1-1546518-3
60.96	12	1-1546518-2
55.88	11	1-1546518-1
50.80	10	1-1546518-0
45.72	9	1546518-9
40.64	8	1546518-8
35.56	7	1546518-7
30.48	6	1546518-6
25.40	5	1546518-5
20.32	4	1546518-4
15.24	3	1546518-3
10.16	2	1546518-2
A	NO OF POSN	PART NUMBER

<small>THIS DRAWING IS A CONTROLLED DOCUMENT FOR TYCO ELECTRONICS CORPORATION. IT IS SUBJECT TO CHANGE AND THE CONTROLLING ENGINEERING ORGANIZATION SHOULD BE CONTACTED FOR THE LATEST REVISION.</small>		DWN S. WELDON 07FEB2003 CHK C. RICHARD 07FEB2003 APVD C. RICHARD 07FEB2003	BUCHANAN Tyco Electronics Harrisburg, PA 17105-3608
DIMENSIONS: mm 	TOLERANCES UNLESS OTHERWISE SPECIFIED: 0 PLC ±.2 1 PLC ±.25 2 PLC ±.25 3 PLC ±.25 4 PLC ±.25 ANGLES ±2 FINISH	PRODUCT SPEC 108-20166 APPLICATION SPEC 114-20079 WEIGHT -	NAME TERMINAL BLOCK HEADER ASSEMBLY 90° OPEN ENDS, STACKING 5.08mm PITCH SIZE A2 CAGE CODE 00779 DRAWING NO. 1546518 RESTRICTED TO -
MATERIAL -		CUSTOMER DRAWING	SCALE 3:1 SHEET 1 OF 1 REV B