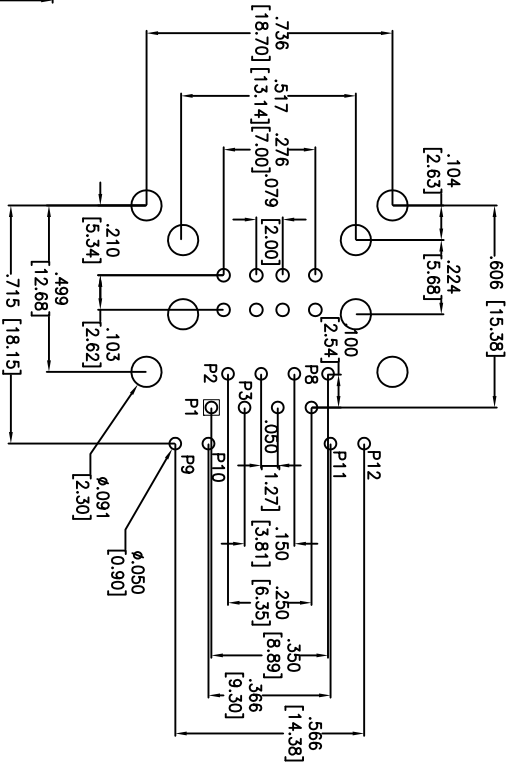
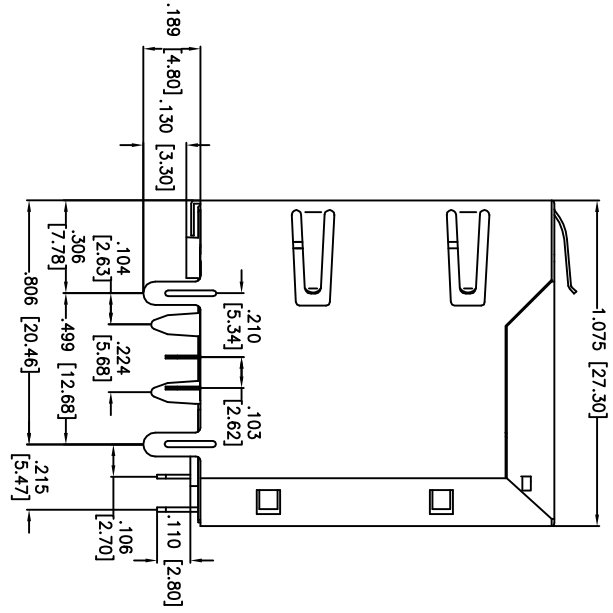
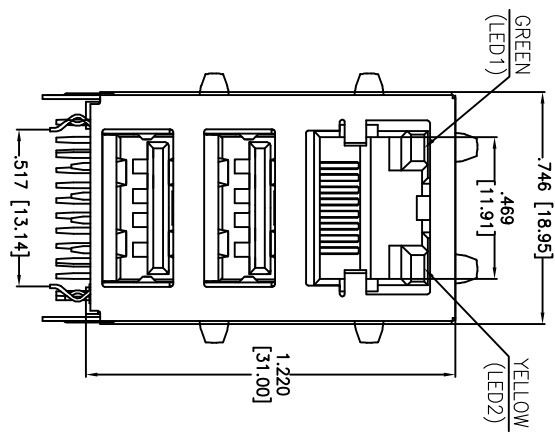
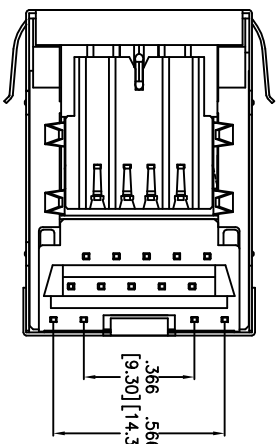


Rev	AWO #	Description	Date	Appr
-		RELEASED	10/19/10	

APPROVED: _____ TITLE: _____
 DATE: _____



RECOMMENDED PCB LAYOUT



X	PLATING
0	15 μin Gold
1	30 μin Gold
2	50 μin Gold

SPECIFICATIONS:

Material: Insulator: PBT, glass reinforced , rated UL 94V-0
 Insulator color: Black
 Contacts: Copper Alloy
 Shield: Copper Alloy, Nickel plated
 Contact Plating: Gold Flash over Nickel underplate on contact area, Tin over Copper underplate on tails
 (See chart for thickness).

Electrical:

Operating voltage: 150 VAC max
 Current rating: 1.5 Amps max
 Contact Resistance: 20 mohms max. initial
 Insulation resistance: 500 Mohms min @ 500 VDC
 Dielectric withstanding voltage: 1000 VAC for 1 minut

Temperature Rating:

Operating temperature: 0°C to +70°C

Environmental:

Lead free, RoHS compliant.
 Recommended soldering temp: 235°C for 5 sec.



UNLESS OTHERWISE SPECIFIED
 ALL DIMENSIONS ARE INCHES [MM]
 TOLERANCES: EXCEPT AS NOTED
 INCHES HOLES
 .X ± .10 Ø.X ± .10
 .XX ± .020 Ø.XXX ± .015
 .XXX ± .015 Ø.XXXX ± .010

ADAM TECH

909 Rahway Avenue, Union, NJ 07083
 Phone: 908-687-5000 Fax: 908-687-5710

TITLE: MODULAR JACK OVER DUAL USB, 8P8C
 W/ LED1 GREEN, LED2 YELLOW

APPROVALS	DATE	SIZE	PART NO.	REV.
DRAWN AY	10/19/10	X	MT-J-USB-88X1-FS-LH-M123	
CHECKED AW	10/19/10			
APPROVED				