

Shock-Safe Fuseholder, 10.3 x 38 mm, Fingergrip



600 VAC · 4.5 W / 25 A 25 A (UL/CSA)

**Description**

- Screw type fuse carrier

Standards- UL 512
- CSA C22.2 no. 39**Approvals**

- UL File Number: E41738

References

General Product Information

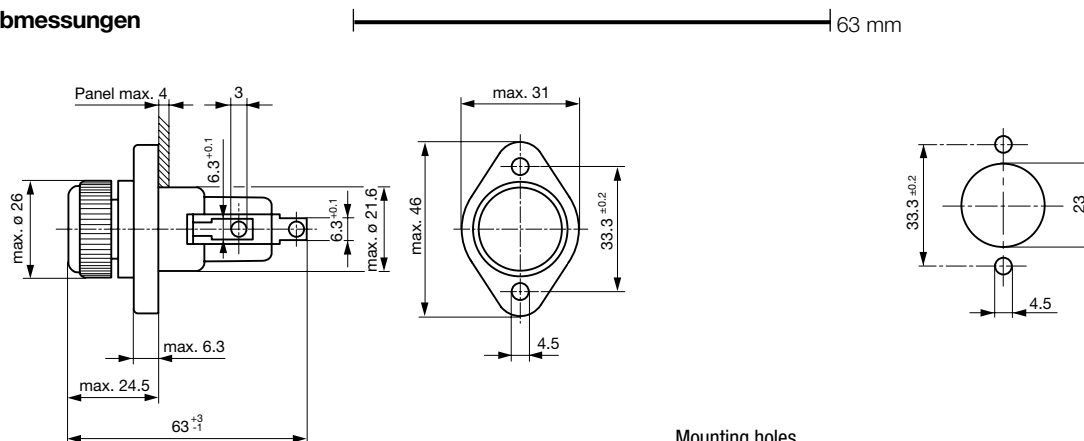
Weblinks

Approvals, RoHS, CHINA-RoHS, e-Store, Distributor-Stock-Check, Accessories, Product Change Notification (PCN)

Technical Data

Fuse-Link	10.3 x 38 mm
Mounting	Panel Mount, Front-Side
Terminal	Quick-Connect 6.3 x 0.8 mm
Rated Voltage	600VAC
Rated Current	25 A (UL/CSA)
Rated Power Acceptance IEC	4.5 W / 25 A @ Ta 23 °C
Degree of Protection	IP 40 / IP 67
Admissible Ambient Air Temp.	-40 °C to 85 °C
Climatic Category	40/085/21 acc. to IEC 60068-1
Material: Socket	Thermoset, black
Unit Weight (Socket/Cap)	48 g
Storage Conditions	0 °C to 60 °C, max. 70% r.h.
Product Marking	Type, Voltage, Current

Soldering Methods	Iron
Panel Thickness s	max 4 mm

Abmessungen

Mounting holes

Variants

Holder	Cap	Degree of Protection		Reference	Order Number
●	Fingergrip	IP 40	● ● ●	23530P	7093.2510
●	Fingergrip	IP 67	● ● ●	23530JJP	7093.2540

Packaging Unit Bulk (10 pcs.)