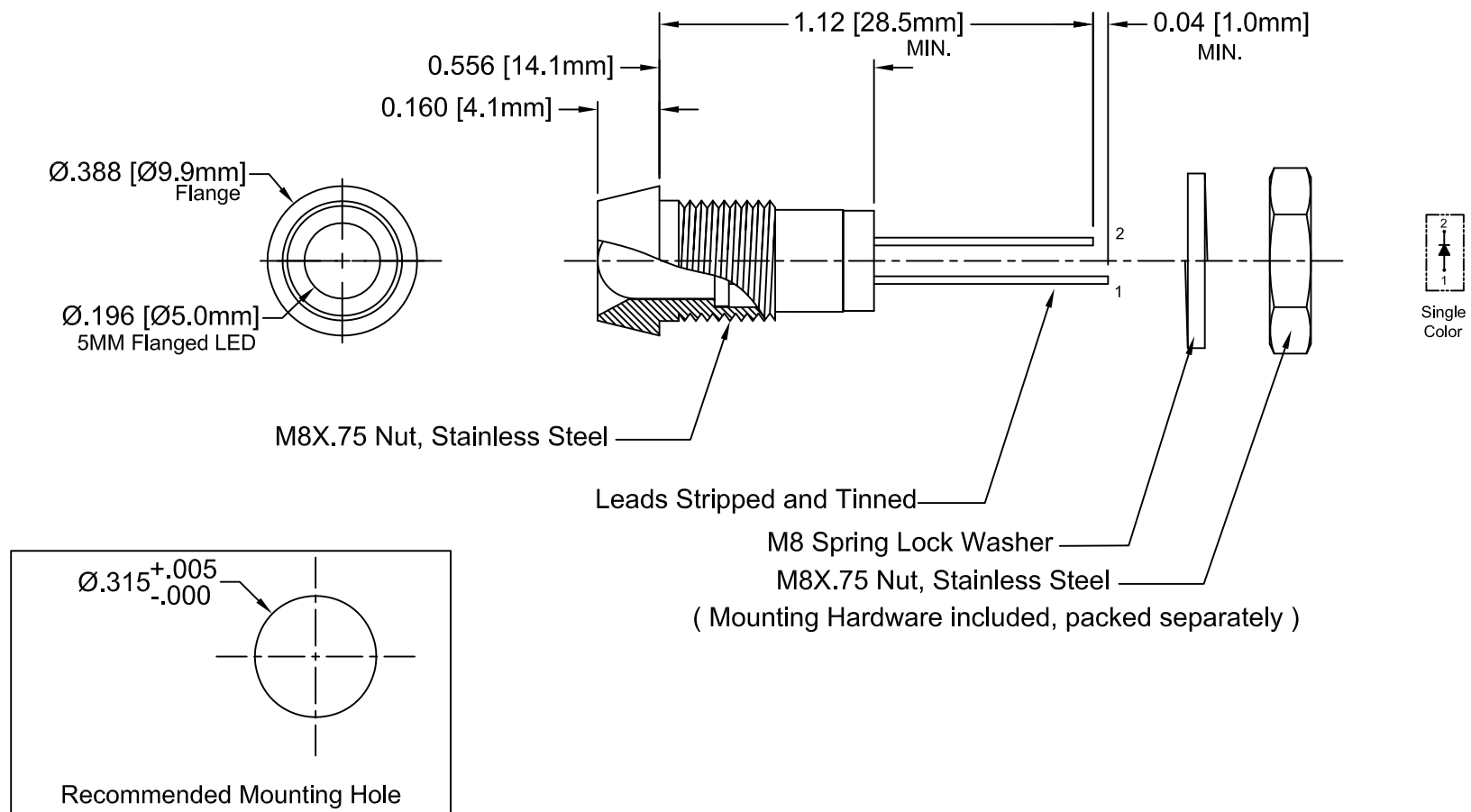


573 Series

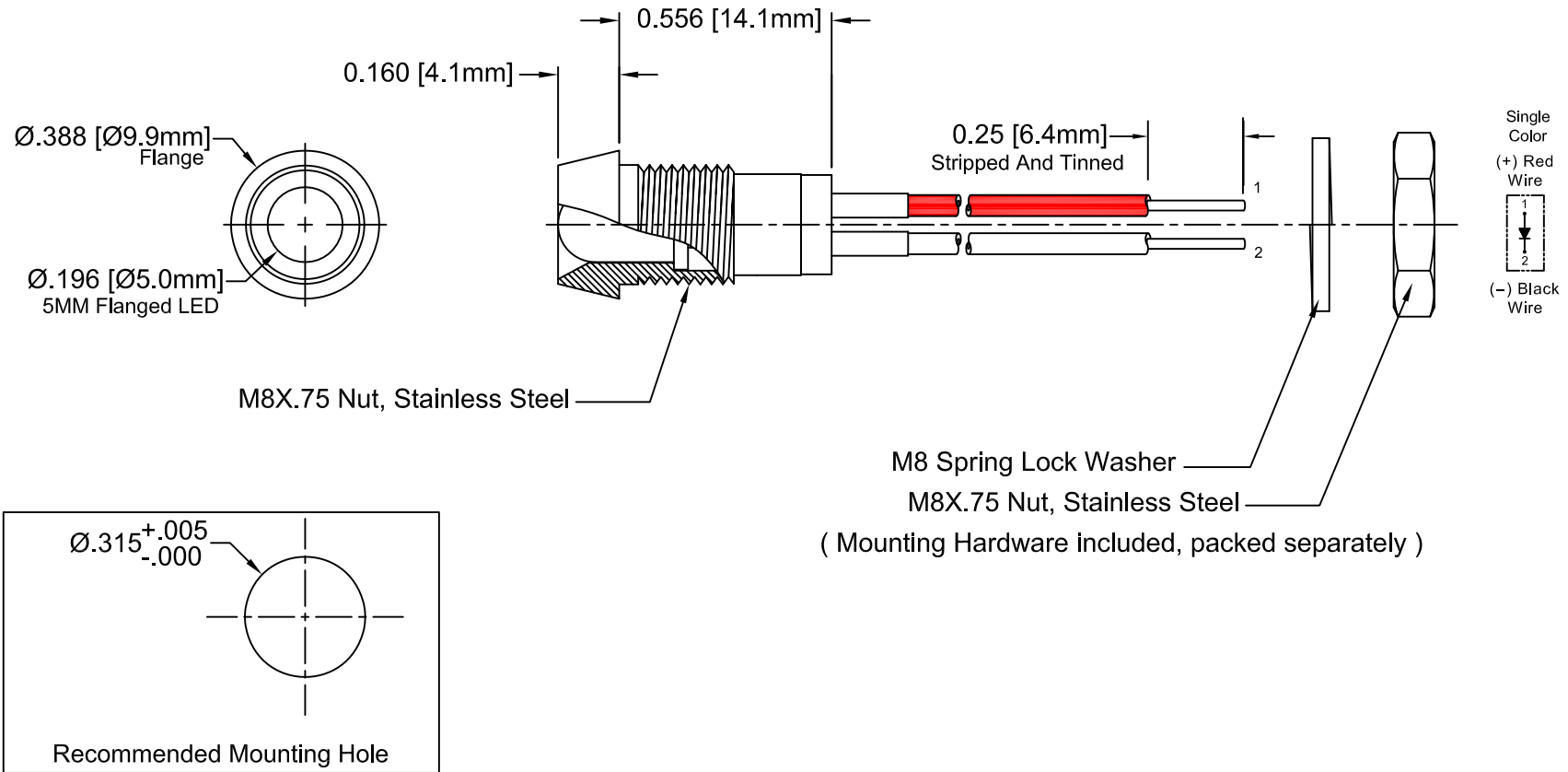


ABSOLUTE MAXIMUM RATINGS ($T_a = 25^\circ\text{C}$)

REVERSE VOLTAGE _____	5V
REVERSE CURRENT ($V_R=5V$) _____	$100\mu\text{A}$
OPERATING TEMPERATURE RANGE _____	$-40^\circ\text{C} \sim 85^\circ\text{C}$
STORAGE TEMPERATURE _____	$-40^\circ\text{C} \sim 100^\circ\text{C}$
LEAD SOLDERING TEMPERATURE (1/16" FROM BODY) _____	260°C for 5 Seconds

STANDARD TOLERANCE (UNLESS OTHERWISE SPECIFIED)		MARL	MARL BUSINESS PARK, ULVERSTON, UK. LA12 9BN Tel: +44 (0)1229 582 430. Web: www.leds.co.uk
DECIMALS	ANGULAR		
.X $\pm .1$	$X^\circ \pm 1^\circ$		
.XX $\pm .02$			TITLE: Std Metal Panel Mount Indicator
.XXX $\pm .010$			PART NO: 573 Series
Provisional		SHEET # 1 OF 3	
<small>CAD GENERATED DOCUMENT, DO NOT MEASURE DRAWING.</small>			

573 Series (Flying Leads version)





ABSOLUTE MAXIMUM RATINGS ($T_a = 25^\circ\text{C}$)

REVERSE VOLTAGE	_____	5V
REVERSE CURRENT ($V_R=5V$)	_____	$100\mu\text{A}$
OPERATING TEMPERATURE RANGE	_____	$-40^\circ\text{C} \sim 85^\circ\text{C}$
STORAGE TEMPERATURE	_____	$-40^\circ\text{C} \sim 100^\circ\text{C}$
LEAD SOLDERING TEMPERATURE (1/16" FROM BODY)	_____	260°C for 5 Seconds

STANDARD TOLERANCE (UNLESS OTHERWISE SPECIFIED)		MARL	MARL BUSINESS PARK, ULVERSTON, UK. LA12 9BN Tel: +44 (0)1229 582 430. Web: www.leds.co.uk
DECIMALS	ANGULAR		
.X $\pm .1$	$X^\circ \pm 1^\circ$		
.XX $\pm .02$			TITLE: Std Metal Panel Mount Indicator
.XXX $\pm .010$			PART NO: 573 Series
Provisional		SHEET # 2 OF 3	
		CAD GENERATED DOCUMENT, DO NOT MEASURE DRAWING.	

Marl Part No.	Chip			Lens Appearance	Electro-Optical Data @20mA				Viewing Angle 2 Ø 1/2 (Deg)	LED P/N	Termination
	Material	Peak Wave Length	Emitted Colour		If (mA)	Vf (V)		Iv (mcd)			
						MAX	TYP				
573-520-04	GaN/SiC	430	BLUE	DIFFUSED	25	4	4.5	15	40	520	PINS
573-520-04-40											12IN FLYING LEADS
573-514-04	GaP/GaP	568	GREEN	DIFFUSED	30	2.1	2.8	25	40	514	PINS
573-514-04-40											12IN FLYING LEADS
573-502-04	GaAsP/GaP	625	HE RED	DIFFUSED	30	2	2.8	40	40	502	PINS
573-502-04-40											12IN FLYING LEADS
573-505-04	GaP/GaP	700	RED	DIFFUSED	20	2.1	2.8	1.5	40	505	PINS
573-505-04-40											12IN FLYING LEADS
573-511-04	GaAsP/GaP	590	YELLOW	DIFFUSED	30	2	2.8	25	40	511	PINS
573-511-04-40											12IN FLYING LEADS

STANDARD TOLERANCE (UNLESS OTHERWISE SPECIFIED)			MARL BUSINESS PARK, ULVERSTON, UK. LA12 9BN Tel: +44 (0)1229 582 430. Web: www.leds.co.uk
DECIMALS	ANGULAR		
.X ± .1	X° ± 1°		TITLE: Std Metal Panel Mount Indicator
.XX ± .02			PART NO: 573 Series
.XXX ± .010			SHEET # 3 OF 3
Provisional		CAD GENERATED DOCUMENT, DO NOT MEASURE DRAWING.	