

PLEASE CHECK WWW.MOLEX.COM FOR LATEST PART INFORMATION

Part Number: **0357181510**
Status: **Active**
Description: 4.75mm (.187") Tab Slip-On Terminal, Quick Disconnect, Female, 0.50mm (.020") Tab Thickness, Wire Range 10-14 AWG (5.26-2.08mm²), Post-Tin Plated

Documents:

[Drawing \(PDF\)](#) [RoHS Certificate of Compliance \(PDF\)](#)
[Product Specification PS-35703-001 \(PDF\)](#)

Agency Certification

CSA	LR95446
TUV	R9451159
UL	E92853

General

Product Family	Quick Disconnects
Series	35718
Crimp Quality Equipment	Yes
Product Name	Slip-On
Type	Quick Disconnect

Physical

Barrel Type	Open
Gender	Female
Glow-Wire Compliant	No
Insulation	None
Lock to Mating Part	Yes
Material - Metal	Brass
Material - Plating Mating	Tin
Material - Plating Termination	Tin
Orientation	Straight
Packaging Type	Reel
Plating min: Mating (µin)	40
Plating min: Mating (µm)	1
Plating min: Termination (µin)	40
Plating min: Termination (µm)	1
Polarized to Mating Part	No
Tab Thickness	0.51mm (.020")
Tab Width	4.75mm (.187")
Temperature Range - Operating	-40°C to +105°C
Termination Interface: Style	Crimp or Compression
Wire Insulation Diameter	4.40-5.30mm (.173-.209") max.
Wire Size AWG	10, 12, 14
Wire Size mm ²	2.08 - 5.26

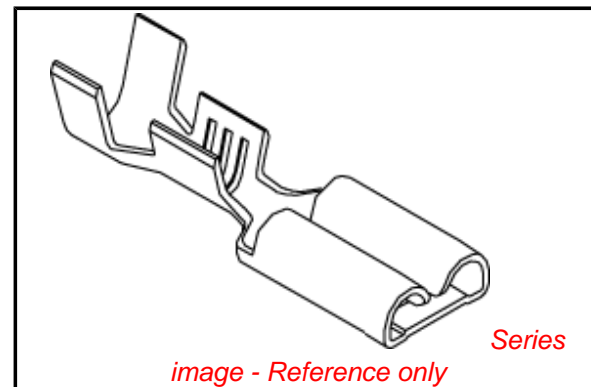
Electrical

Voltage - Maximum	250V
-------------------	------

Material Info

Reference - Drawing Numbers

Product Specification	PS-35703-001
Sales Drawing	SD-35718-15*0



EU RoHS

ELV and RoHS Compliant
REACH SVHC Contains SVHC: No
Halogen-Free Status

China RoHS



Need more information on product environmental compliance?

Email productcompliance@molex.com
 For a multiple part number RoHS Certificate of Compliance, [click here](#)

Please visit the [Contact Us](#) section for any non-product compliance questions.

Search Parts in this Series

35718Series

Use With

4.75mm (.187") Tab

PLEASE CHECK WWW.MOLEX.COM FOR LATEST PART INFORMATION

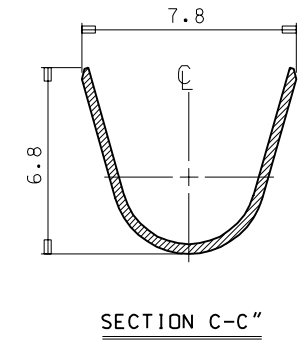
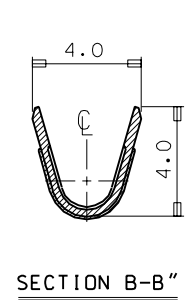
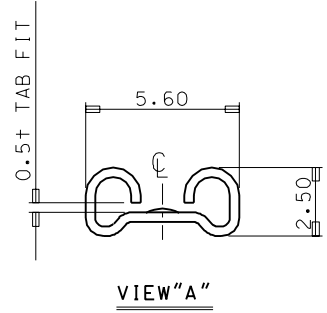
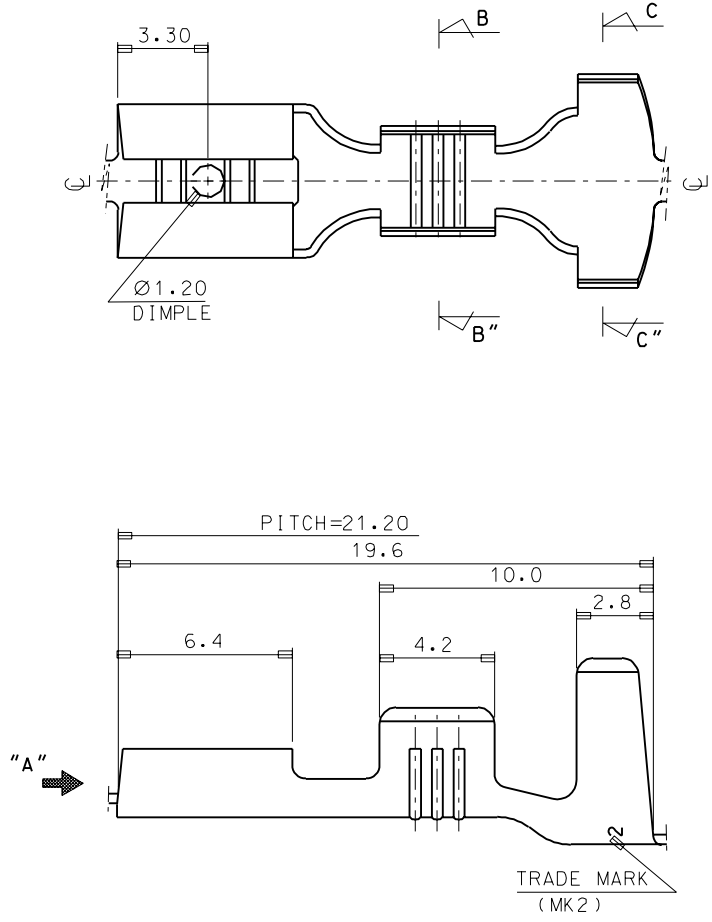
DO NOT SCALE DRAWING DIMENSION IN METRIC

PROJECT NO.

SIMILAR ITEM

EDP NO.

ENG. NO
SD 35718-15*0



- NOTES
1. MATERIAL: BRASS , 0.35THICKNESS
 2. FINISH: 35718-1500: UNPLATED
35718-1510: POST-TIN PLATED
 3. RECOMMENDED LENGTH OF WIRE STRIP IS 6.2-6.7

		ASS'Y PART		QTY/REEL OR PACK	SURFACE AREA	MATERIAL	SEE NOTES	WIRE RANGE	GENERAL TOLERANCES	MOLEX-KOREA CO.,LTD.
		DESCRIPTION	ENG.NO.	4,000 0'ty / reel	MM ²	DIMENSION CLASSIFICATION		AWG: #14	DIM. : ±0.30	
				DIE NO. ---	LAYOUT NO. ---	<input checked="" type="checkbox"/> : CRITICAL <input checked="" type="checkbox"/> : MAJOR <input type="checkbox"/> : MINOR () : REFERENCE		MM ² : -#10	ANGLE : ±0.20	REVISE ONLY ON CAD SYSTEM
				WIRE CRIMP WIDTH ---	INS. CRIMP WIDTH ---	DRAWN BY	CHK'D BY	INSULATION RANGE	TITLE: .187 SLIP-ON RECEPTACLE(L)	1 of 1
A	CAD REDRAWING	93-011	93.5.24	DR/CHK	DATE	W.B.Y.	B.K.CHOI	∅ 4.4-5.3	ENG.NO.	SD 35718-15*0
LTR	REVISION RECORD	ECN	DATE	DIE FEED	APPL FEED	WBDW ---	IBDW ---	APP'D BY	SCALE	6:1