

Appliance inlet for low voltage, Snap-in Mounting, Front Side, Solder or Quick-connect Terminal



70° C



Description

- Panel Mount:
 - Snap-in version, Frontside
- Appliance Inlet, Pin temperature 70 °C, Protection class II, Solder or Quick-Connect

References

[General Product Information](#)

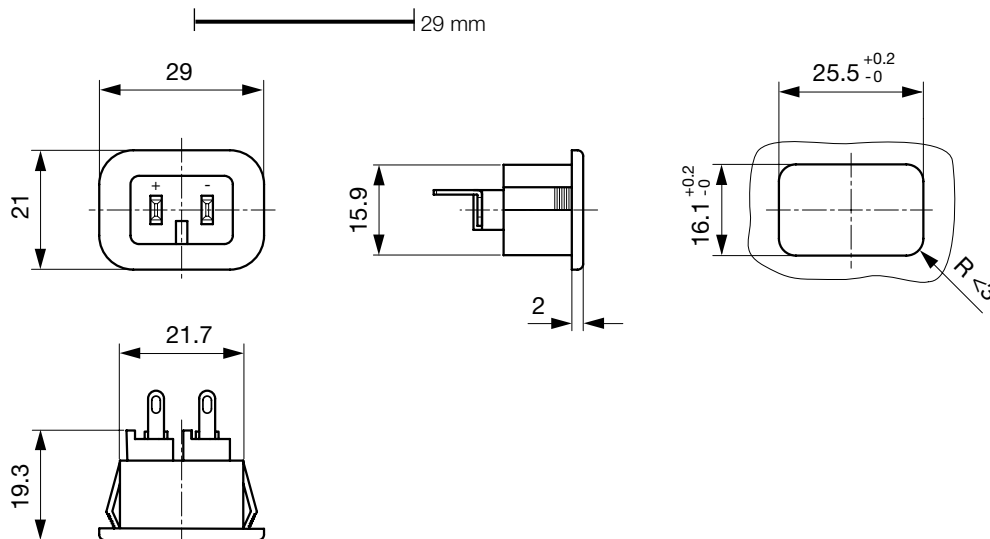
Weblinks

[Approvals](#), [RoHS](#), [CHINA-RoHS](#), [Mating Connectors](#), [e-Store](#), [Distributor-Stock-Check](#), [Accessories](#)

Technical Data

Ratings IEC	7 A / 48 VAC; 50 Hz
Allowable Operation Temp.	-25 °C to 70 °C
Degree of Protection	from front side IP 20 acc. to IEC 60529
Protection Class	Suitable for appliances with protection class 2 acc. to IEC 61140
Panel Thickness s	Snap-in version 4 mm
Material: Housing	UL 94V-0

Dimensions



length of the terminal please find at the order code configuration table

Config. Code

Product Configurator

1201-A - - A B C 0- D - E F

The characters are placeholders for the correspondingly keys of selections from the key tables.

1201-A - - A B C 0- D - E F = Terminals

Terminal L	Configuration key
short solder terminal (L=4,8mm)	2
long solder terminal (L=8,5mm)	3
blade terminal (2,8x0,8mm)	7
blade terminal (4,8x0,8mm)	8
blade terminal (6,3x0,8mm)	9



1201-A - - A B C 0- D - E F = Terminals

Terminal N	Configuration key
short solder terminal (L=4,8mm)	2
long solder terminal (L=8,5mm)	3
blade terminal (2,8x0,8mm)	7
blade terminal (4,8x0,8mm)	8
blade terminal (6,3x0,8mm)	9

Symbols similar as in table A

1201-A - - A B C 0- D - E F = Terminals

Terminal Ground	Configuration key

Symbols similar as in table A

Variants

Config. Code	Description	Order Number
1201-A - 2200-A-3 A	1201-A, Special Connector Designs, 70°C, version: II, L: short solder terminal (L=4,8mm), N: short solder terminal (L=4,8mm), color: jet black; RAL9005, design: snap-in standard type, dimension X:	4311.0002

The listed variants should be available from stock Other versions on request www.schurter.com/contact

Packaging unit 100 Pcs

Mating Outlets/Connectors

Category / Description



[Plug Overview complete](#)

Appliance Outlet, Cord Connector (Rewireable), Straight, for Low Voltage

1251

[Plug further types to 1201-A](#)