

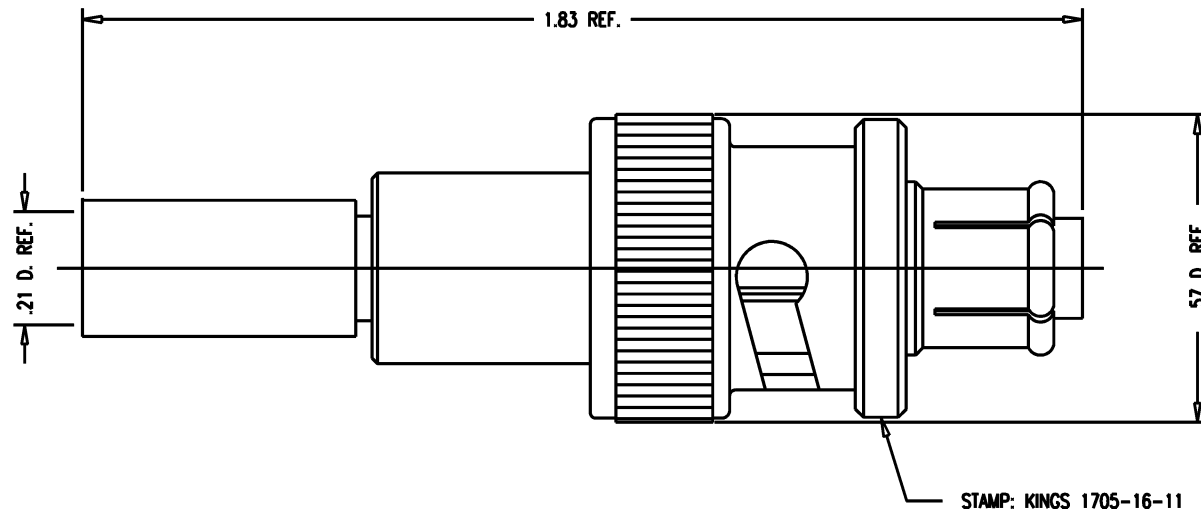
DASH NO.	M CODE	MADE FROM
----------	--------	-----------

GSD

1705-16-11

REVISIONS

ISSUE	CHANGES
0	ER 36931 KH 04/22/96



NOTES:

- FOR USE WITH C 9Y19503 CABLE.
- FOR CABLING INSTRUCTIONS SEE CP-441.
- FOR CRIMPING USE DIE KTH-2062.
- INTERFACE PER MIL-STD-348, FIGURE 314-2.
- MATERIALS:
 INSULATOR: REXOLITE, L-P-516
 GASKET: SILICONE RUBBER, ZZ-R-765
 K-GRIP SLEEVE: COMMERCIAL BRONZE, ASTM-B-135
 SPRING WASHER & CONTACTS: BER. COP., ASTM-B-196
 ALL OTHER PARTS: BRASS, ASTM-B16
- FINISHES:
 CENTER CONTACT: GOLD PLATE PER MIL-G-45204
 SPRING WASHER: SILVER PLATE PER QQ-S-365
 ALL OTHER METAL PARTS: KINGS TARNISH RESISTANT NICKEL FINISH (TR-5)
- ELECTRICAL CHARACTERISTICS:
 OPERATING VOLTAGE: 3500 VOLTS AC
 6000 VOLTS DC

KAM6567

SCALE 4:1

APPROX SURFACE AREA

USED ON

REF: ROMTRONIX P.O. # 27293

PLUG, SHV

DRAWN KH	DATE 04/22/96
----------	---------------

DESIGN LJ	DATE 04/23/96
-----------	---------------

APPR.	DATE
-------	------

KINGS
ELECTRONICS CO., INC.
TUCKAHOE, NEW YORK 10707

GSD

1705-16-11