



RL-1328

COMMON MODE CHOKES

U-CORE DESIGN

DESCRIPTION

- Common Mode Chokes
- U-Core Design

ENVIRONMENTAL DATA

- Storage temperature range: -55°C to +130°C
- Operating temperature range: -55°C to +130°C

PACKAGING INFORMATION

- Packaging information: pg. 493

FEATURES & APPLICATIONS

- Wide range of standard inductances with current ratings up to 35 A
- Leads are pre-tinned for ease of soldering in PCB mounting applications
- Typical applications include: filters, SCR and TRIAC controls, power supplies, and RFI suppression
- Windings balanced within 1%
- At +80°C ambient, +40°C rise
- Dielectric withstanding voltage rated at 2500 VAC line to line

Verify operation with sample in actual circuit. Order samples at www.rencousa.com.

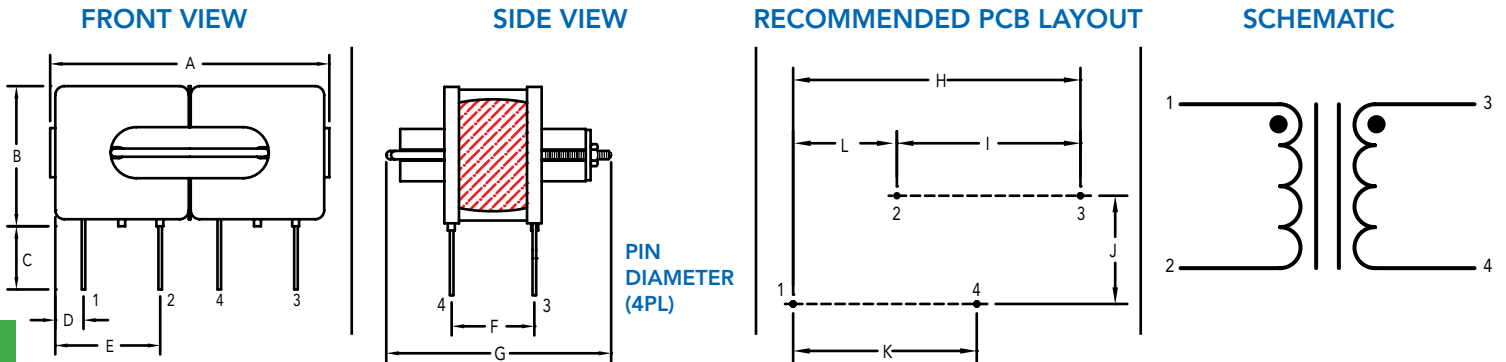
MECHANICAL DIMENSIONS

U.S. Standard (mm)

PART NUMBER	A (MAX.)	B (MAX.)	C (MIN.)	D (REF.)	E (REF.)	F (REF.)	G (MAX.)
RL-1328	2.410 (61.11)	1.250 (31.75)	0.500 (12.70)	0.250 (6.35)	0.915 (23.24)	0.720 (18.24)	2.000 (50.80)

H (REF.)	I (REF.)	J (REF.)	K (REF.)	L (REF.)
1.910 (48.41)	1.220 (30.94)	0.720 (18.24)	1.220 (30.94)	0.690 (17.53)

PART NUMBER	PART WEIGHT
RL-1328	125.0g (4.41oz)



COMMON MODE CHOKES



RENCOS ELECTRONICS INC.

595 International Place, Rockledge, FL 32955-4200 USA • www.rencousa.com • ISO 9001 Certified
Toll Free Engineering Hot Line: 800.645.5828 • P: 321.637.1000 • F: 321.637.1600



RL-1328-3, RL-1328-5

Renco Part No. RL-1328-3	Inductance (μ H)	DCR Max. (Ohms)	Leakage Inductance (μ H) Max.
RL-1328-3-100	100.0	0.033	20.0
RL-1328-3-150	150.0	0.034	25.0
RL-1328-3-180	180.0	0.035	28.0
RL-1328-3-220	220.0	0.036	32.0
RL-1328-3-270	270.0	0.037	37.0
RL-1328-3-330	330.0	0.038	40.0
RL-1328-3-390	390.0	0.039	45.0
RL-1328-3-470	470.0	0.040	49.0
RL-1328-3-560	560.0	0.041	50.0
RL-1328-3-680	680.0	0.042	53.0
RL-1328-3-820	820.0	0.044	66.0
RL-1328-3-1000	1000.0	0.050	80.0
RL-1328-3-1200	1200.0	0.055	93.0
RL-1328-3-1500	1500.0	0.060	117.0
RL-1328-3-1800	1800.0	0.066	150.0
RL-1328-3-2200	2200.0	0.073	177.0
RL-1328-3-2700	2700.0	0.083	220.0
RL-1328-3-3300	3300.0	0.088	270.0
RL-1328-3-3900	3900.0	0.100	320.0
RL-1328-3-4700	4700.0	0.115	386.0
RL-1328-3-5600	5600.0	0.121	462.0
RL-1328-3-6800	6800.0	0.133	510.0
RL-1328-3-8200	8200.0	0.144	688.0
RL-1328-3-10000	10000.0	0.165	825.0
RL-1328-3-12000	12000.0	0.188	980.0
RL-1328-3-15000	15000.0	0.209	1210.0
RL-1328-3-18000	18000.0	0.290	1430.0
RL-1328-3-22000	22000.0	0.315	1730.0
RL-1328-3-27000	27000.0	0.350	2123.0
RL-1328-3-33000	33000.0	0.500	2640.0
RL-1328-3-39000	39000.0	0.540	3080.0

Renco Part No. RL-1328-5	Inductance (μ H)	DCR Max. (Ohms)	Leakage Inductance (μ H) Max.
RL-1328-5-100	100.0	0.010	17.0
RL-1328-5-120	120.0	0.012	19.0
RL-1328-5-150	150.0	0.013	21.0
RL-1328-5-180	180.0	0.014	24.0
RL-1328-5-220	220.0	0.015	26.0
RL-1328-5-270	270.0	0.017	28.0
RL-1328-5-330	330.0	0.019	30.0
RL-1328-5-390	390.0	0.020	32.0
RL-1328-5-470	470.0	0.022	35.0
RL-1328-5-560	560.0	0.024	39.0
RL-1328-5-680	680.0	0.027	48.0
RL-1328-5-820	820.0	0.028	60.0
RL-1328-5-1000	1000.0	0.031	72.0
RL-1328-5-1200	1200.0	0.034	94.0
RL-1328-5-1500	1500.0	0.037	100.0
RL-1328-5-1800	1800.0	0.041	130.0
RL-1328-5-2200	2200.0	0.047	167.0
RL-1328-5-2700	2700.0	0.052	208.0
RL-1328-5-3300	3300.0	0.057	248.0
RL-1328-5-3900	3900.0	0.063	286.0
RL-1328-5-4700	4700.0	0.075	349.0
RL-1328-5-5600	5600.0	0.078	417.0
RL-1328-5-6800	6800.0	0.088	506.0
RL-1328-5-8200	8200.0	0.100	603.0
RL-1328-5-10000	10000.0	0.110	733.0
RL-1328-5-12000	12000.0	0.127	883.0

NOTES:

1. ELECTRICAL SPECIFICATIONS MEASURED AT 25°C
2. I_{rms} - 5 Amps
3. I_{rms} - CURRENT THAT CAUSES THE TEMPERATURE TO RISE APPROX. 40°C ABOVE AMBIENT OF 25°C
4. INDUCTANCE VALUES \pm 25% TESTED AT 1 kHz, 1.0 Vrms

NOTES:

1. ELECTRICAL SPECIFICATIONS MEASURED AT 25°C
2. I_{rms} - 3 Amps
3. I_{rms} - CURRENT THAT CAUSES THE TEMPERATURE TO RISE APPROX. 40°C ABOVE AMBIENT OF 25°C
4. INDUCTANCE VALUES \pm 25% TESTED AT 1 kHz, 1.0 Vrms



RENCO ELECTRONICS INC.

595 International Place, Rockledge, FL 32955-4200 USA • www.rencousa.com • ISO 9001 Certified
Toll Free Engineering Hot Line: 800.645.5828 • P: 321.637.1000 • F: 321.637.1600



RL-1328-10, RL-1328-15

Renco Part No. RL-1328-10	Inductance (μ H)	DCR Max. (Ohms)	Leakage Inductance (μ H) Max.
RL-1328-10-100	100.0	0.0080	10.0
RL-1328-10-120	120.0	0.0085	11.0
RL-1328-10-150	150.0	0.0090	13.0
RL-1328-10-180	180.0	0.0095	14.0
RL-1328-10-220	220.0	0.0100	16.0
RL-1328-10-270	270.0	0.0120	22.0
RL-1328-10-330	330.0	0.0130	26.0
RL-1328-10-390	390.0	0.0140	29.0
RL-1328-10-470	470.0	0.0160	38.0
RL-1328-10-560	560.0	0.0170	43.0
RL-1328-10-680	680.0	0.0190	53.0
RL-1328-10-820	820.0	0.0200	63.0
RL-1328-10-1000	1000.0	0.0220	75.0
RL-1328-10-1200	1200.0	0.0240	94.0
RL-1328-10-1500	1500.0	0.0270	119.0
RL-1328-10-1800	1800.0	0.0320	140.0
RL-1328-10-2200	2200.0	0.0350	176.0
RL-1328-10-2700	2700.0	0.0390	215.0
RL-1328-10-3300	3300.0	0.0450	267.0
RL-1328-10-3900	3900.0	0.0490	316.0
RL-1328-10-4700	4700.0	0.0560	380.0
RL-1328-10-5600	5600.0	0.0660	460.0

NOTES:

1. ELECTRICAL SPECIFICATIONS MEASURED AT 25°C
2. I_{rms} - 10 Amps
3. I_{rms} - CURRENT THAT CAUSES THE TEMPERATURE TO RISE APPROX. 40°C ABOVE AMBIENT OF 25°C
4. INDUCTANCE VALUES \pm 25% TESTED AT 1 kHz, 1.0 Vrms

Renco Part No. RL-1328-15	Inductance (μ H)	DCR Max. (Ohms)	Leakage Inductance (μ H) Max.
RL-1328-15-100	100.0	0.007	8.0
RL-1328-15-120	120.0	0.007	12.0
RL-1328-15-150	150.0	0.007	14.0
RL-1328-15-180	180.0	0.007	16.0
RL-1328-15-220	220.0	0.007	18.0
RL-1328-15-270	270.0	0.008	21.0
RL-1328-15-330	330.0	0.008	26.0
RL-1328-15-390	390.0	0.010	29.0
RL-1328-15-470	470.0	0.011	38.0
RL-1328-15-560	560.0	0.012	42.0
RL-1328-15-680	680.0	0.013	51.0
RL-1328-15-820	820.0	0.014	62.0
RL-1328-15-1000	1000.0	0.015	85.0
RL-1328-15-1200	1200.0	0.018	93.0
RL-1328-15-1500	1500.0	0.019	115.0
RL-1328-15-1800	1800.0	0.021	146.0
RL-1328-15-2200	2200.0	0.024	170.0
RL-1328-15-2700	2700.0	0.027	208.0

NOTES:

1. ELECTRICAL SPECIFICATIONS MEASURED AT 25°C
2. I_{rms} - 15 Amps
3. I_{rms} - CURRENT THAT CAUSES THE TEMPERATURE TO RISE APPROX. 40°C ABOVE AMBIENT OF 25°C
4. INDUCTANCE VALUES \pm 25% TESTED AT 1 kHz, 1.0 Vrms



RL-1328-22, RL-1328-35

Renco Part No. RL-1328-22	Inductance (μ H)	DCR Max. (Ohms)	Leakage Inductance (μ H) Max.
RL-1328-22-47	47.0	0.0025	7.0
RL-1328-22-68	68.0	0.0028	8.0
RL-1328-22-100	100.0	0.0032	9.0
RL-1328-22-120	120.0	0.0037	10.0
RL-1328-22-150	150.0	0.0040	15.0
RL-1328-22-180	180.0	0.0043	18.0
RL-1328-22-220	220.0	0.0047	20.0
RL-1328-22-270	270.0	0.0050	25.0
RL-1328-22-330	330.0	0.0055	31.0
RL-1328-22-390	390.0	0.0060	35.0
RL-1328-22-470	470.0	0.0065	38.0
RL-1328-22-560	560.0	0.0070	45.0
RL-1328-22-680	680.0	0.0080	50.0

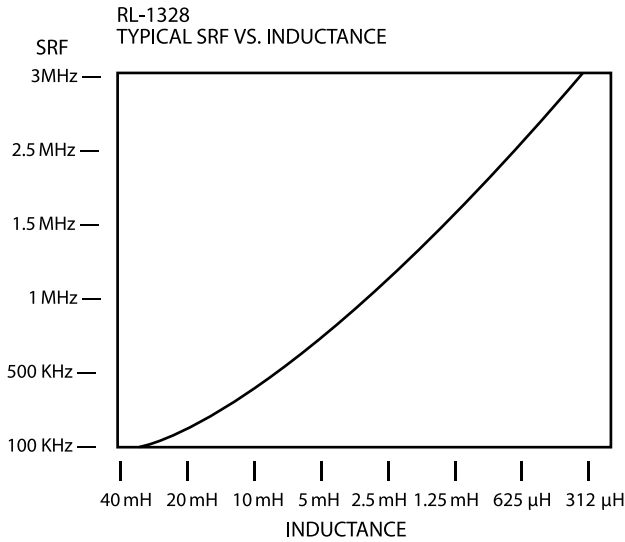
NOTES:

1. ELECTRICAL SPECIFICATIONS MEASURED AT 25°C
2. I_{rms} - 22 Amps
3. I_{rms} - CURRENT THAT CAUSES THE TEMPERATURE TO RISE APPROX. 40°C ABOVE AMBIENT OF 25°C
4. INDUCTANCE VALUES \pm 25% TESTED AT 1 kHz, 1.0 Vrms

Renco Part No. RL-1328-35	Inductance (μ H)	DCR Max. (Ohms)	Leakage Inductance (μ H) Max.
RL-1328-35-47	47.0	0.0020	5.0
RL-1328-35-68	68.0	0.0021	6.0
RL-1328-35-100	100.0	0.0023	9.0
RL-1328-35-120	120.0	0.0025	10.0
RL-1328-35-150	150.0	0.0026	11.0
RL-1328-35-180	180.0	0.0028	15.0
RL-1328-35-220	220.0	0.0032	18.0
RL-1328-35-270	270.0	0.0037	24.0
RL-1328-35-330	330.0	0.0040	27.0

NOTES:

1. ELECTRICAL SPECIFICATIONS MEASURED AT 25°C
2. I_{rms} - 35 Amps
3. I_{rms} - CURRENT THAT CAUSES THE TEMPERATURE TO RISE APPROX. 40°C ABOVE AMBIENT OF 25°C
4. INDUCTANCE VALUES \pm 25% TESTED AT 1 kHz, 1.0 Vrms



RENCO ELECTRONICS INC.

595 International Place, Rockledge, FL 32955-4200 USA • www.rencousa.com • ISO 9001 Certified
Toll Free Engineering Hot Line: 800.645.5828 • P: 321.637.1000 • F: 321.637.1600

