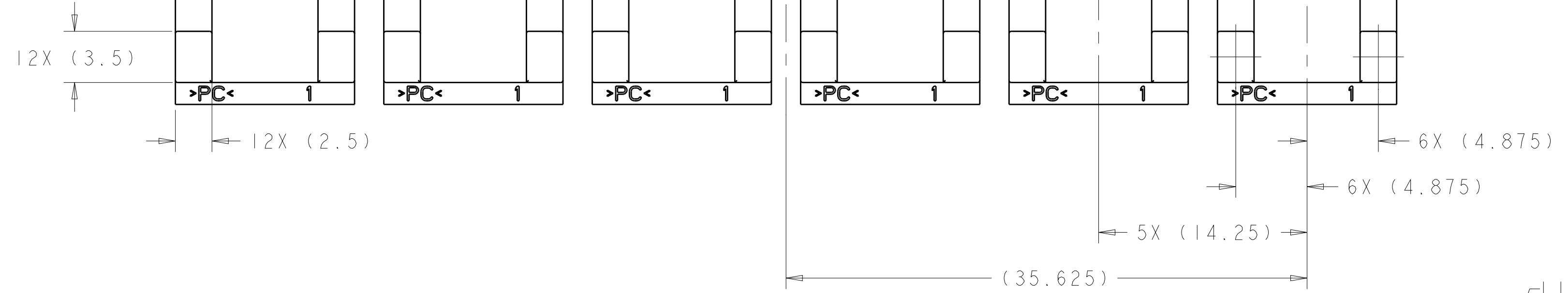
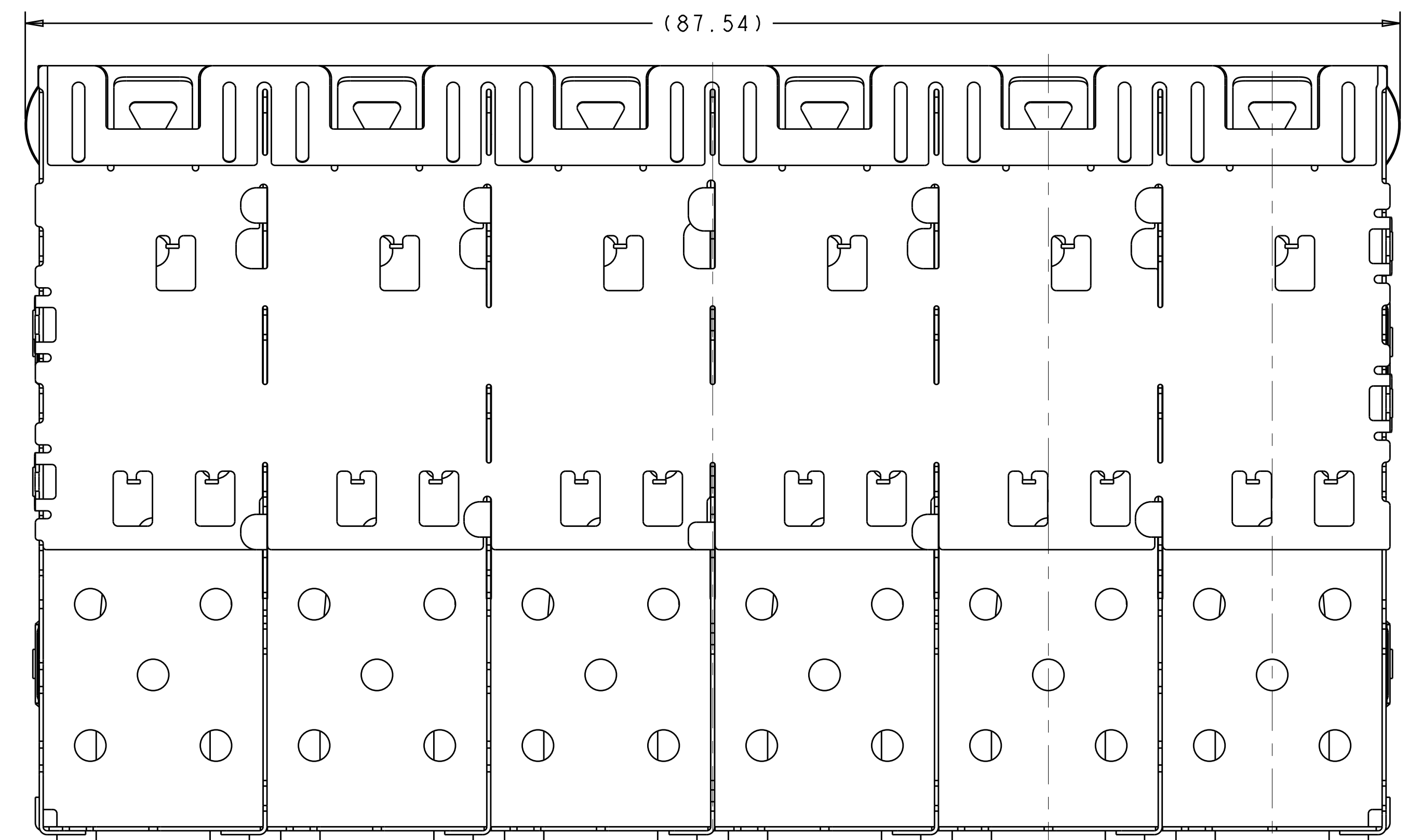
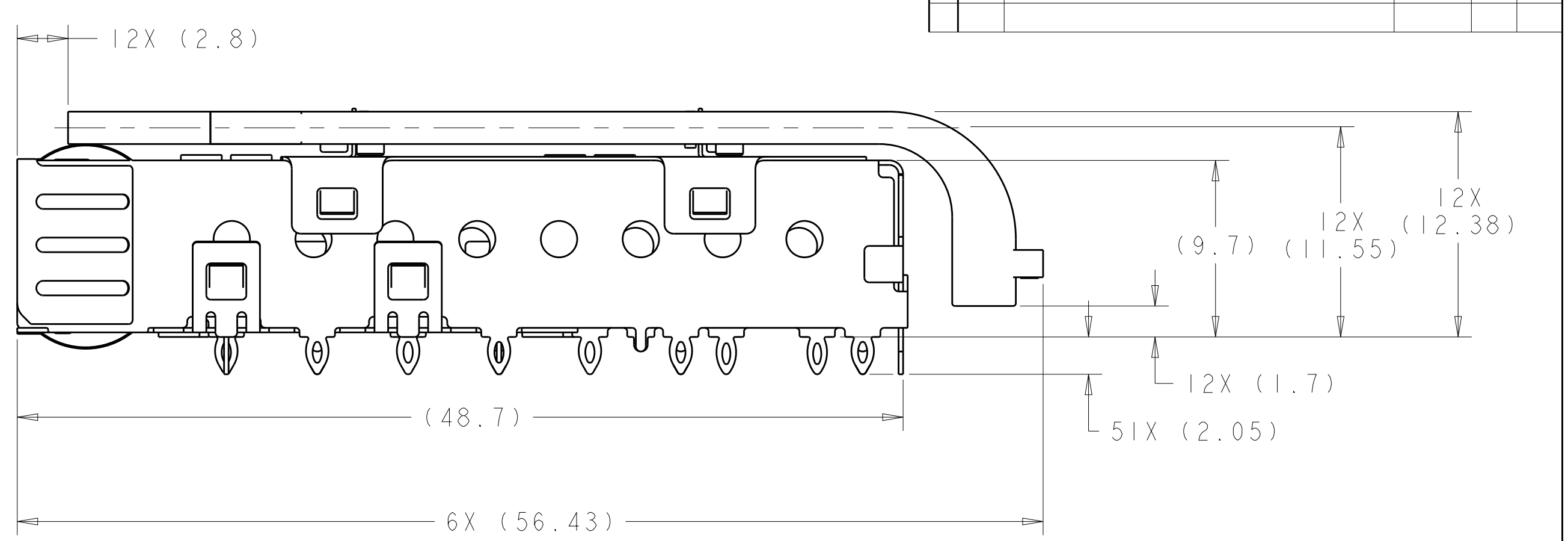
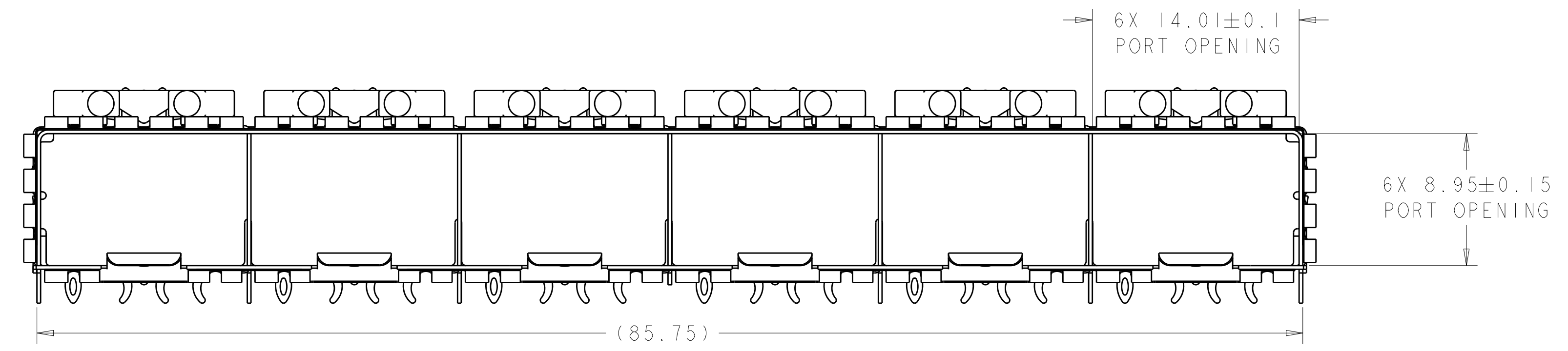
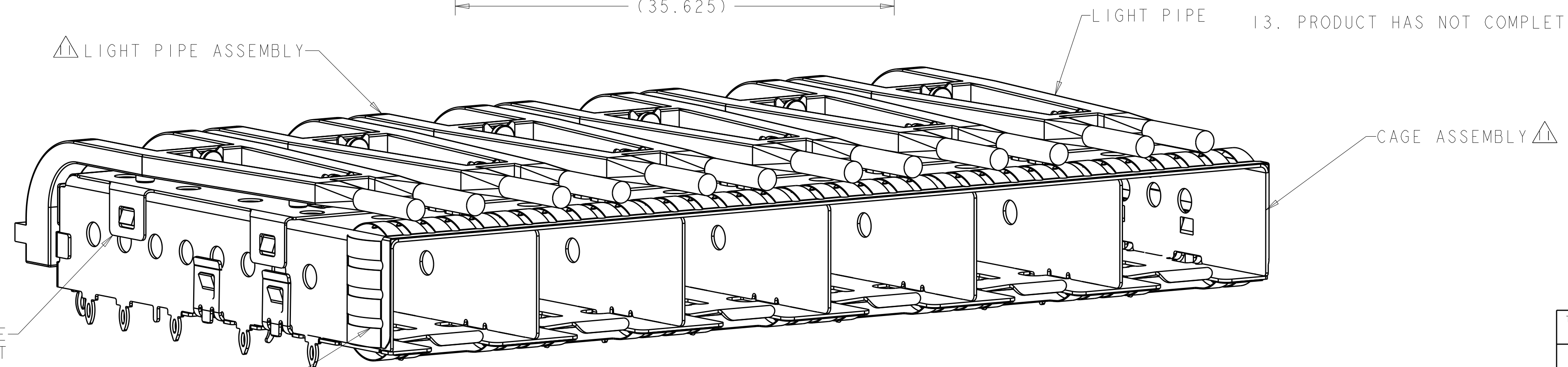


GP 00

REVISIONS				
REV	DATE	DESCRIPTION	BY	CHK
A	26FEB2016	RELEASED	JW	SH



- 1. MATERIAL:
CAGE ASSEMBLY: 0.25mm THICK NICKEL SILVER ALLOY.
LIGHT PIPE CLIP: STAINLESS STEEL
LIGHT PIPE: POLYCARBONATE, CLEAR
- 2. FINISH:
SPRINGS: MINIMUM OF 0.8um TIN PLATE OVER A MINIMUM OF 0.8um NICKEL UNDERPLATE.
NON-PLATED EDGES PERMISSIBLE.
- 3. MATES WITH SFP MSA COMPLIANT TRANSCEIVERS.
- 4. PADS AND VIAS CHASSIS GROUND.
- 5. INTERPRETATION OF DATUM REFERENCE FRAME IN ACCORDANCE WITH SECT 4.4.1.1 OF ASME Y14.5M-1994.
- 6. MINIMUM PC BOARD THICKNESS:
SINGLE SIDED = 1.50
DOUBLE SIDED = 2.25
- 7. HOLE PATTERN REPEATS FOR EACH PORT. SPACING BETWEEN PORTS IS 14.25mm.
- 8. DATUM AND BASIC DIMENSION ESTABLISHED BY CUSTOMER.
- 9. REFERENCE APPLICATION SPEC. 114-13120, HOLE A, FOR RECOMMENDED DRILL HOLE DIAMETER AND PLATING THICKNESS.
- 10. REFERENCE APPLICATION SPEC. 114-13120, HOLE B, FOR RECOMMENDED DRILL HOLE DIAMETER AND PLATING THICKNESS.
- 11. LIGHT PIPE ASSEMBLY SHIPPED UNASSEMBLED TO CAGE ASSEMBLY. CAGE ASSEMBLY TO BE PRESSED INTO THE PCB PRIOR TO ATTACHING THE LIGHT PIPE ASSEMBLY TO THE CAGE.
- 12. CERTAIN MATING TRANSCEIVERS MAY REQUIRE ADDITIONAL PCB THICKNESS THAT WOULD NEED TO BE DETERMINED BY THE CUSTOMER.
- 13. PRODUCT HAS NOT COMPLETED VALIDATION/QUALIFICATION TESTING.



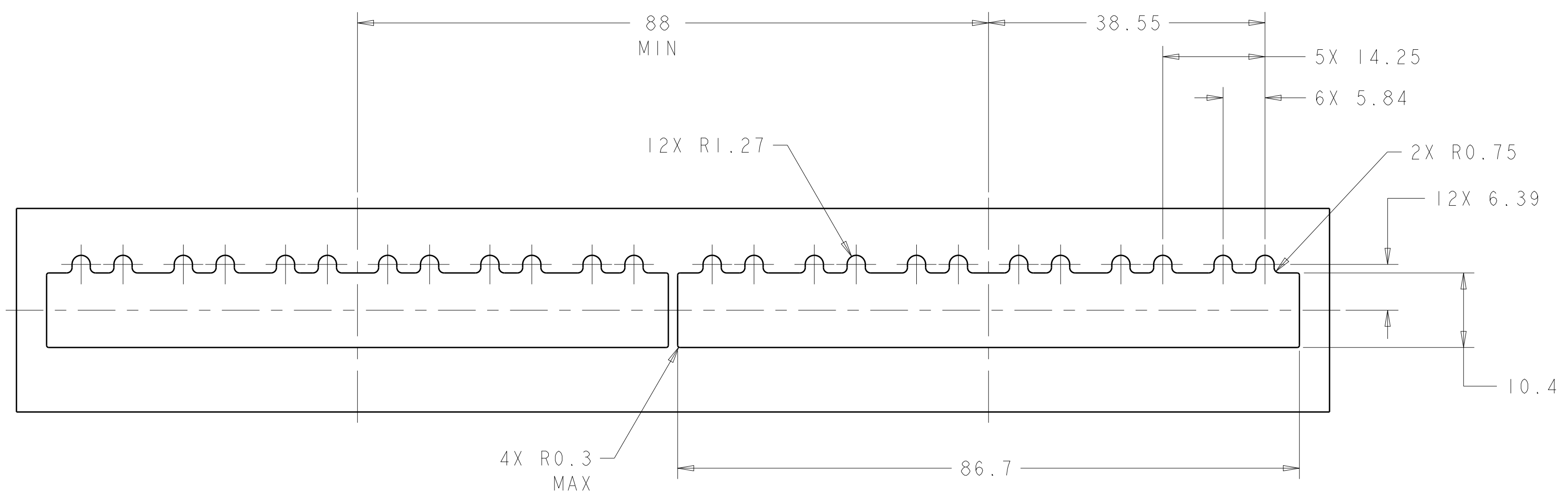
2110742-1
FINISHED ASSEMBLY
SCALE 4:1

2110742-1
PART NUMBER

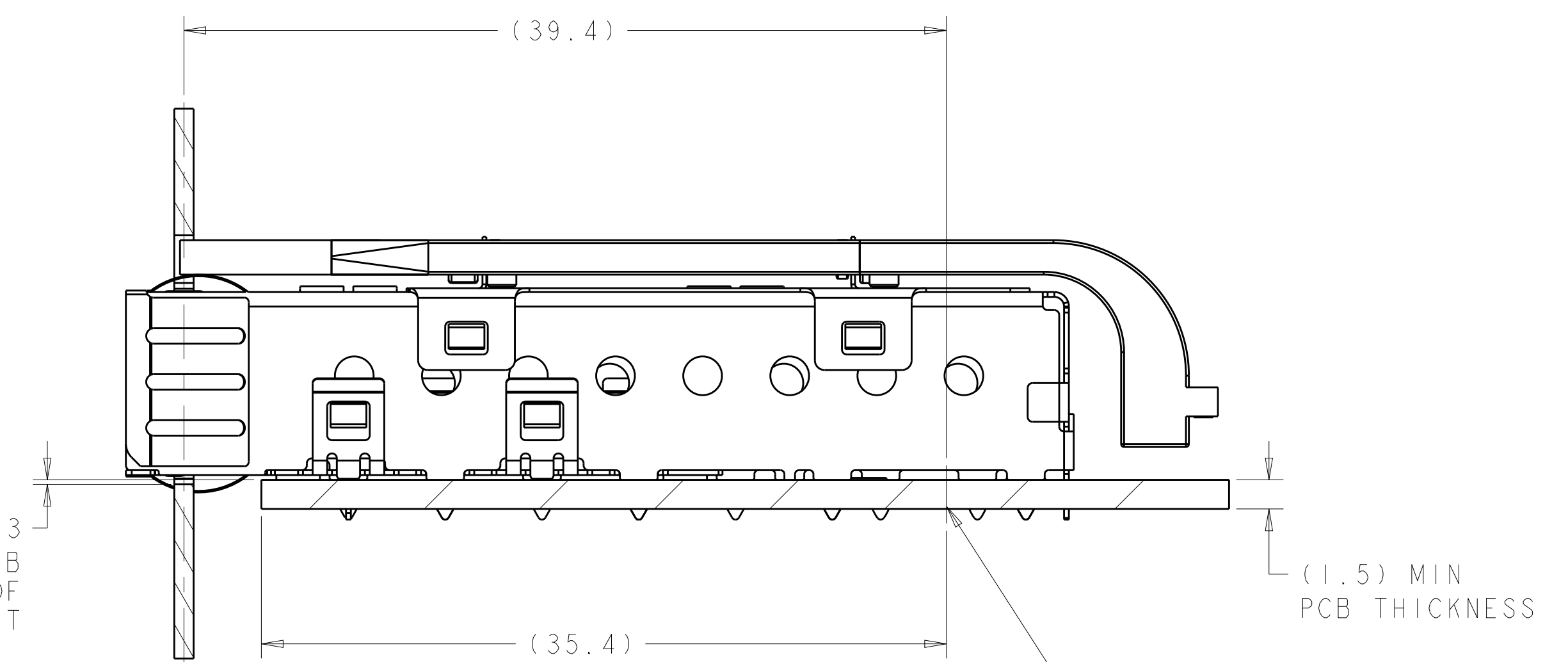
THIS DRAWING IS A CONTROLLED DOCUMENT.		DWN: C. ROHLER 03JUN2009	TE Connectivity	
DIMENSIONS: mm		CHK: M. SCHMITT 03JUN2009	NAME: SFP+ 1X6 CAGE ASSEMBLY PRESS FIT, EXTERNAL EMI SPRINGS WITH LOW PROFILE LIGHT PIPES	
TOLERANCES UNLESS OTHERWISE SPECIFIED:		APP'D: B. WERTZ 03JUN2009	PRODUCT SPEC: 108-2364	
0 PLC ±0.1		APPLICATION SPEC: 114-13120		
1 PLC ±0.1		SIZE: A1		
2 PLC ±0.1		CAGE CODE: C=2110742		
3 PLC ±0.1		DRAWING NO: 2110742		
4 PLC ±0.1		RESTRICTED TO: Customer Drawing		
ANGLES ±0.1		SCALE: 2:1		
FINISH: ±1°		SHEET: 1 of 4		
MATERIAL: [Symbol]		REV: A		

GP 00

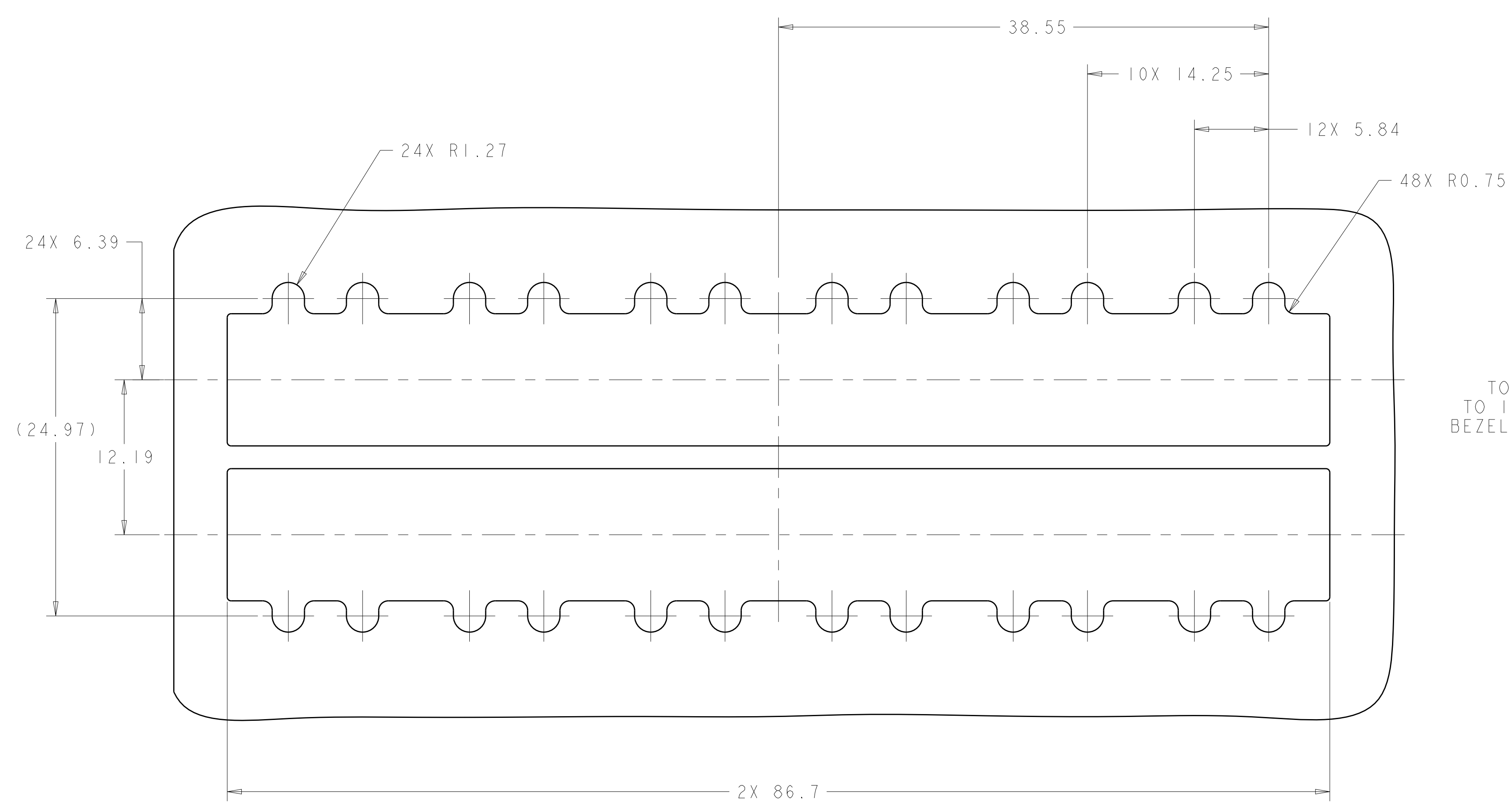
REVISIONS				
REV	DATE	DESCRIPTION	BY	APP'D
-	-	SEE SHEET 1	-	-



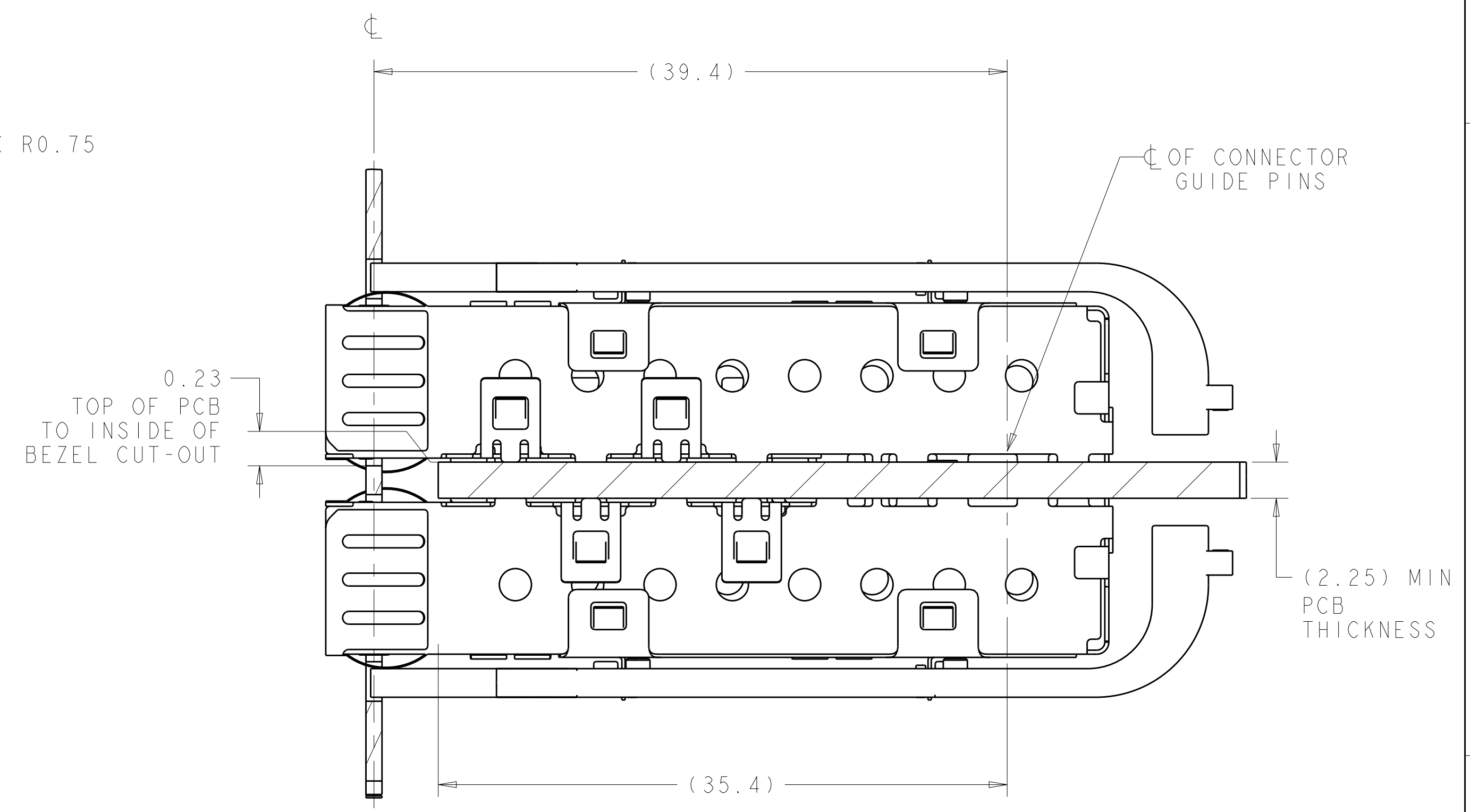
RECOMMENDED BEZEL CUT-OUT
SINGLE SIDED APPLICATIONS
SCALE 2:1



2110742-1
MOUNTED ON PC BOARD
SHOWN THRU RECOMMENDED BEZEL



RECOMMENDED BEZEL CUT-OUT
BELLY TO BELLY APPLICATIONS

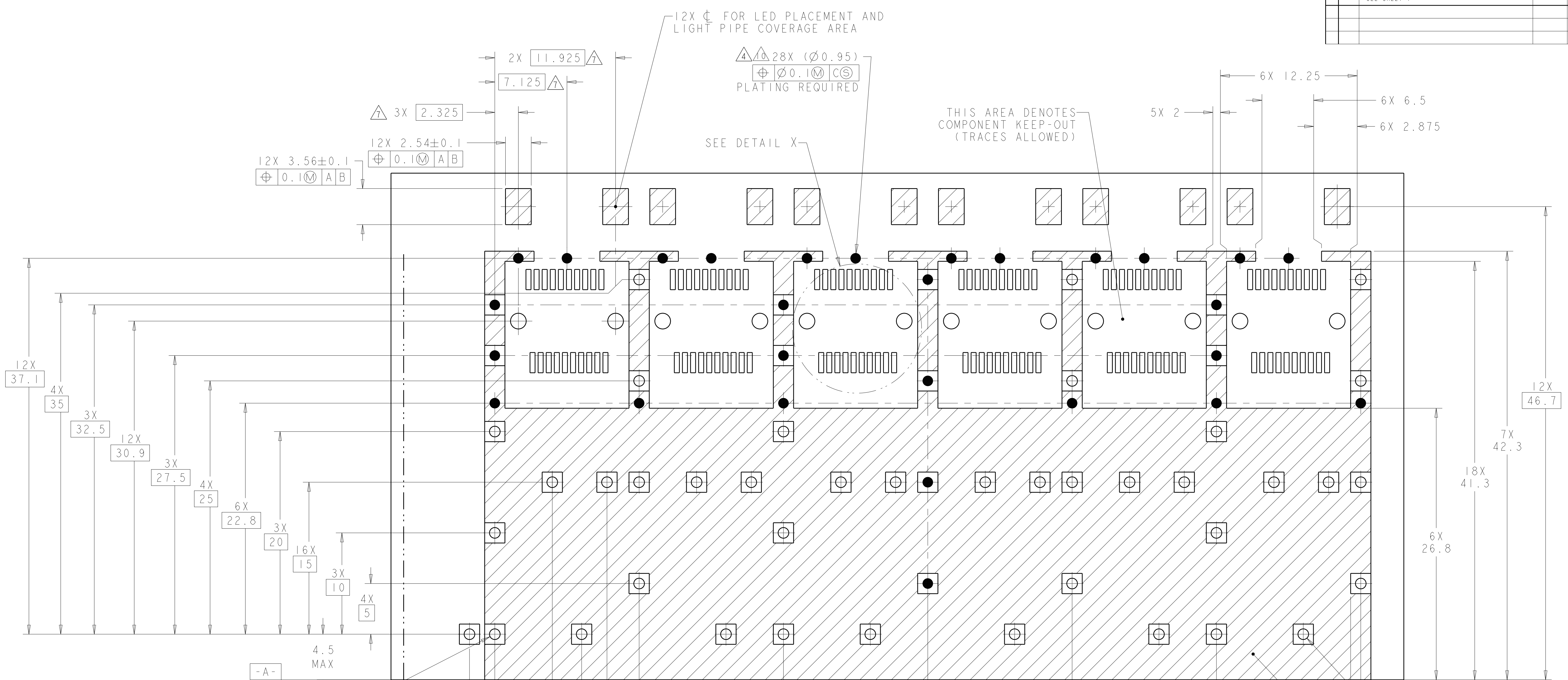


2110742-1
MOUNTED BELLY TO BELLY ON PC BOARD
SHOWN THRU RECOMMENDED BEZEL

THIS DRAWING IS A CONTROLLED DOCUMENT.		DWN C. ROHLER 03JUN2009 CHK M. SCHMITT 03JUN2009 APVD B. WERTZ 03JUN2009	TE Connectivity	
DIMENSIONS:	TOLERANCES UNLESS OTHERWISE SPECIFIED:	NAME	SFP+ 1X6 CAGE ASSEMBLY	
mm	0 PLC ±0.1 1 PLC ±0.1 2 PLC ±0.1 3 PLC ±0.1 4 PLC ±0.1 ANGLES ±1°	PRODUCT SPEC	PRESS FIT, EXTERNAL EMI SPRINGS	
MATERIAL	FINISH	APPLICATION SPEC	WITH LOW PROFILE LIGHT PIPES	
		114-13120	SIZE	RESTRICTED TO
		Customer Drawing	A1	C=2110742
			SCALE	SHEET 2 OF 4 REV A

GP 00

REVISIONS				
REV	DATE	BY	CHKD	APPROV
-	SEE SHEET 1	-	-	-

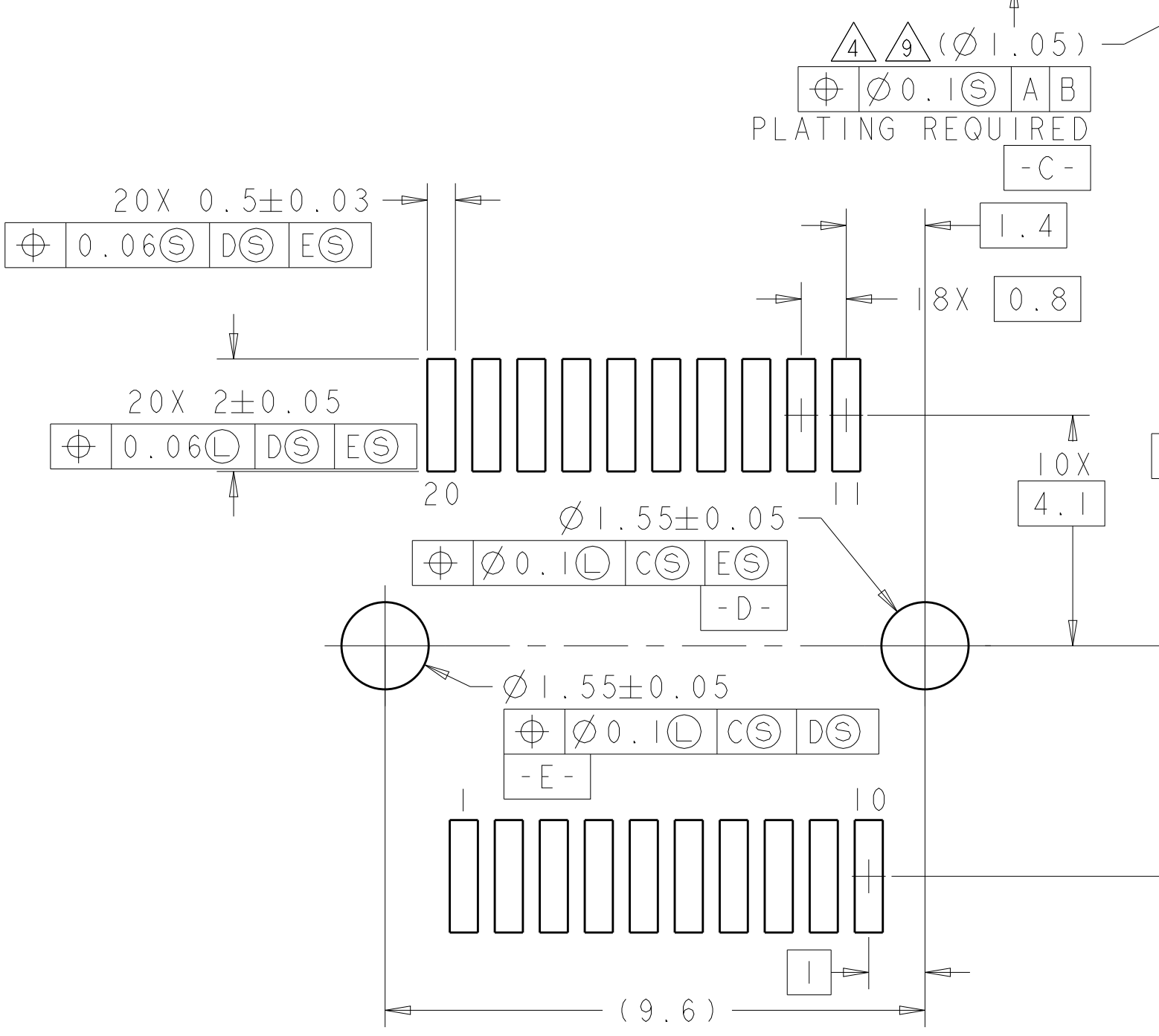


12X ∅ FOR LED PLACEMENT AND LIGHT PIPE COVERAGE AREA

4x 28x (∅0.95)
 ∅0.10 CS
 PLATING REQUIRED

THIS AREA DENOTES COMPONENT KEEP-OUT (TRACES ALLOWED)

SEE DETAIL X



DETAIL X
 RECOMMENDED PT CONNECTOR LAYOUT
 6X INDIVIDUALLY
 SCALE 10:1



38X (∅1.05)
 ∅0.10 CS
 PLATING REQUIRED

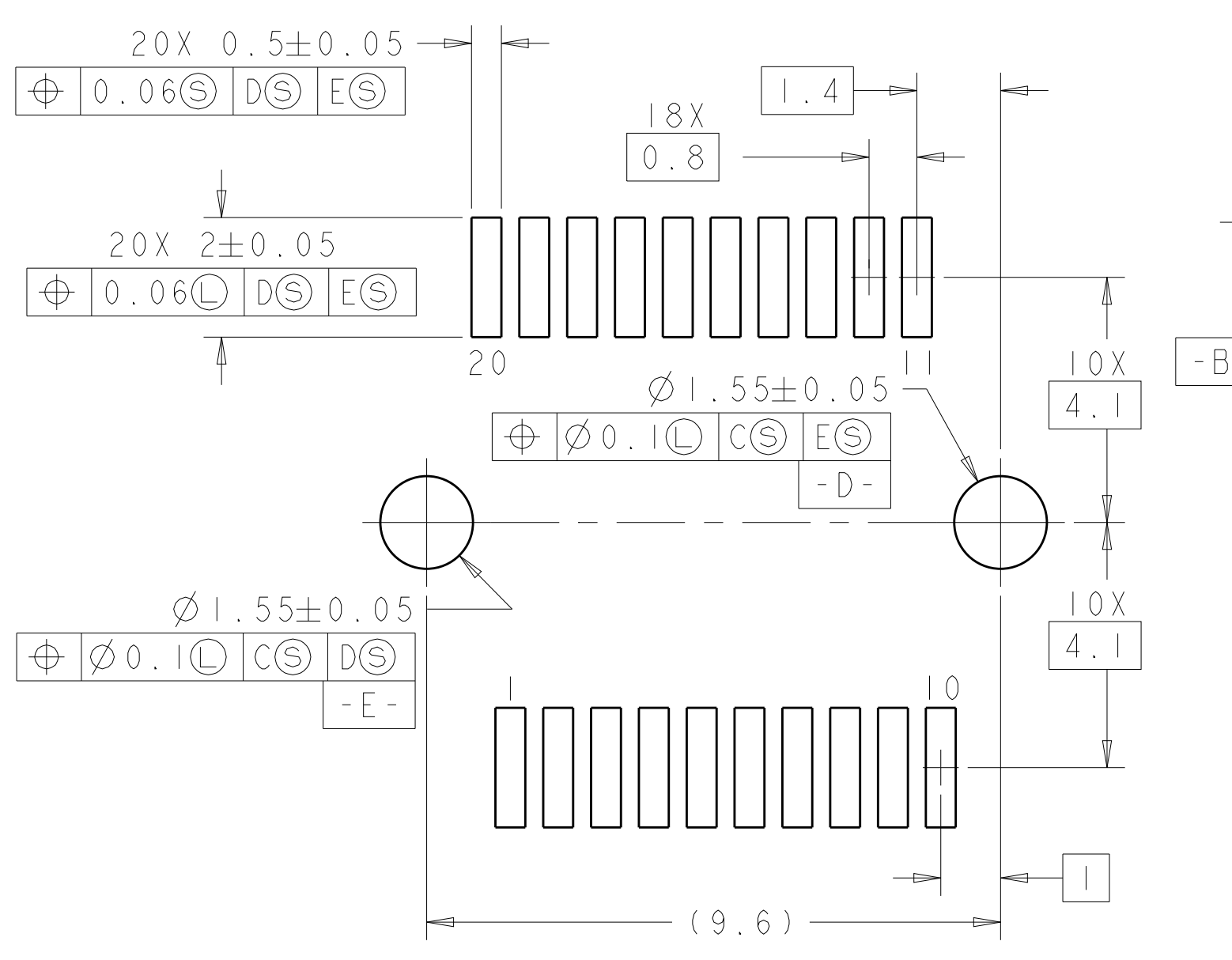
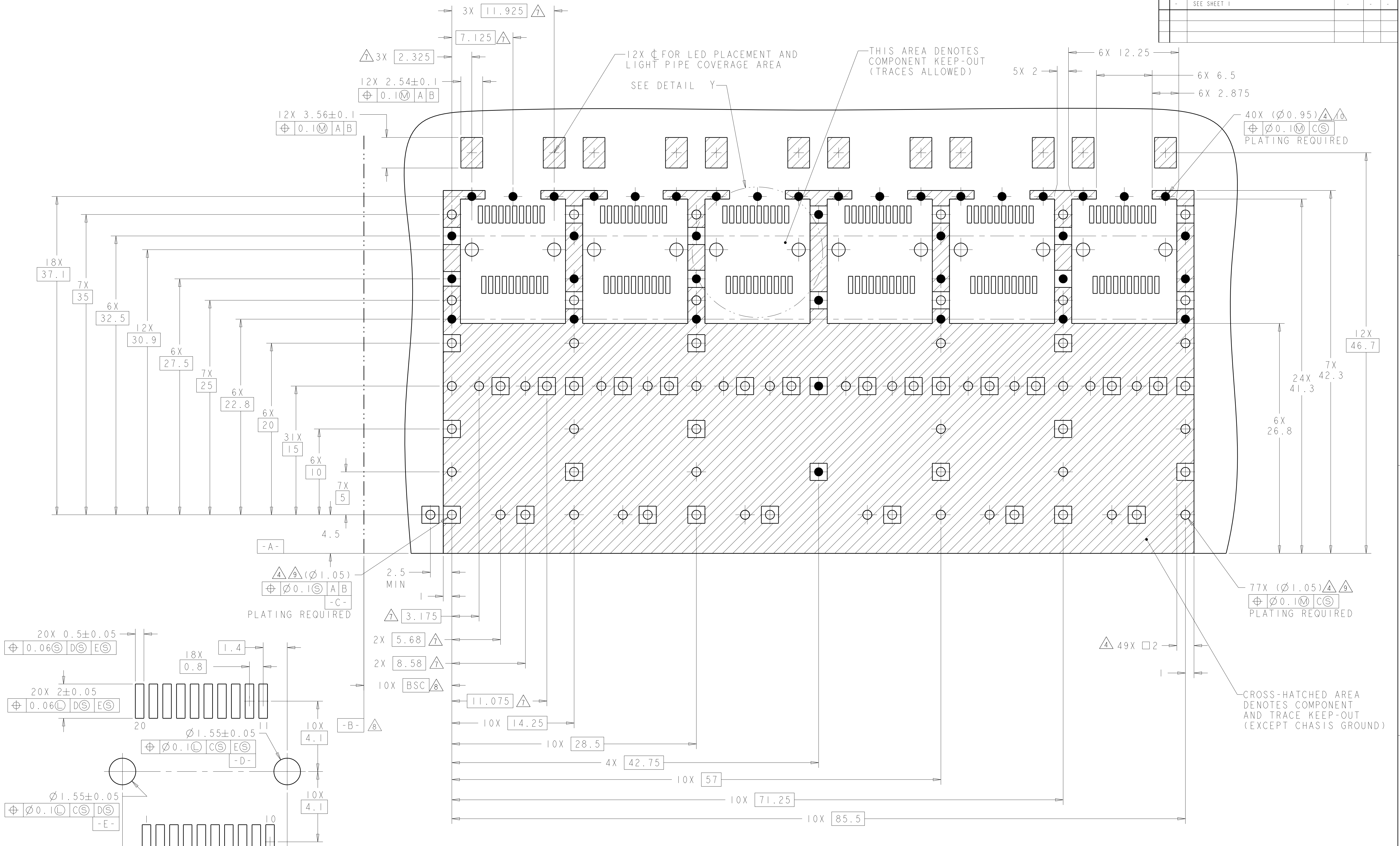
CROSS-HATCHED AREA DENOTES COMPONENT AND TRACE KEEP-OUT (EXCEPT CHASSIS GROUND)

RECOMMENDED PCB CONFIGURATION
 WITH KEEP-OUT AREAS
 SINGLE SIDED APPLICATIONS
 SCALE 5:1

THIS DRAWING IS A CONTROLLED DOCUMENT.		OWN C. ROHLER	03JUN2009	TE Connectivity
		CHK M. SCHMITT	03JUN2009	
DIMENSIONS:		APVD B. WERTZ	03JUN2009	NAME SFP+ 1X6 CAGE ASSEMBLY PRESS FIT, EXTERNAL EMI SPRINGS WITH LOW PROFILE LIGHT PIPES
mm		PRODUCT SPEC	108-2364	
0 PLC ∅0.1 1 PLC ∅0.1 2 PLC ∅0.1 3 PLC ∅0.1 4 PLC ∅0.1 ANGLES ∅0.1		APPLICATION SPEC	114-13120	
MATERIAL		FINISH	WTG	
				SIZE A1
				SCALE 4:1
				SHEET 3 OF 4
				REV A

GP 00

REVISIONS				
REV	DATE	BY	APP'D	DESCRIPTION
-	-	-	-	SEE SHEET 1



RECOMMENDED PC BOARD CONFIGURATION WITH KEEP-OUT AREAS BELLY TO BELLY APPLICATIONS SCALE 5:1

THIS DRAWING IS A CONTROLLED DOCUMENT.		DWN: C. ROHLER 03JUN2009	TE Connectivity												
DIMENSIONS: mm		CHK: M. SCHMITT 03JUN2009													
TOLERANCES UNLESS OTHERWISE SPECIFIED:		APP'D: B. WERTZ 03JUN2009	NAME: SFP+ 1X6 CAGE ASSEMBLY												
<table border="1"> <tr><td>0 PLC</td><td>±0.1</td></tr> <tr><td>1 PLC</td><td>±0.1</td></tr> <tr><td>2 PLC</td><td>±0.1</td></tr> <tr><td>3 PLC</td><td>±0.1</td></tr> <tr><td>4 PLC</td><td>±0.1</td></tr> <tr><td>ANGLES</td><td>±0.1</td></tr> </table>		0 PLC	±0.1	1 PLC	±0.1	2 PLC	±0.1	3 PLC	±0.1	4 PLC	±0.1	ANGLES	±0.1	PRODUCT SPEC: 108-2364	RESTRICTED TO: -
0 PLC	±0.1														
1 PLC	±0.1														
2 PLC	±0.1														
3 PLC	±0.1														
4 PLC	±0.1														
ANGLES	±0.1														
MATERIAL: -		APPLICATION SPEC: 114-13120	SIZE: A1												
FINISH: -		WEIGHT: -	SCALE: 2:1												
		Customer Drawing	SHEET 4 OF 4												