

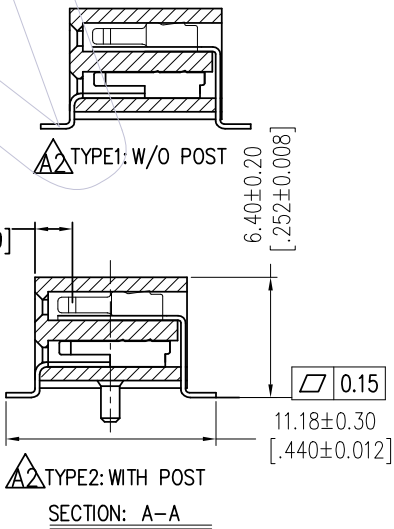
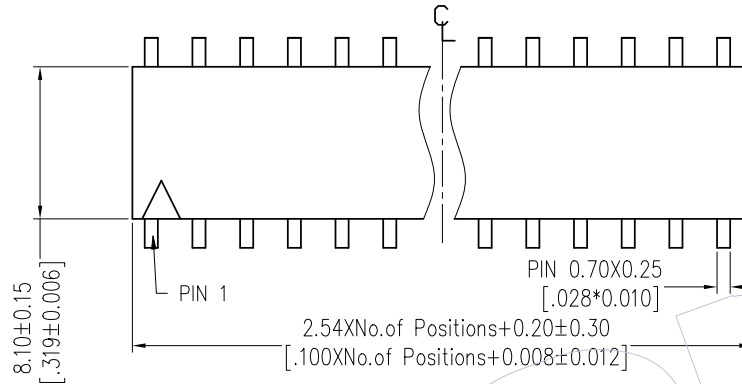
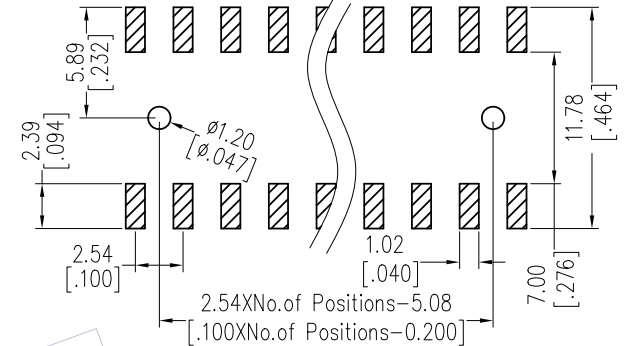
HSF

NOTES:

Current Rating: 3.0AMP
 Contact Resistance: 20mΩ Max
 Withstand Voltage: 1000V AC/DC
 Insulation Resistance: 1000MΩ Min
 Operation Temperature: -40℃ to +105℃

Contact Material: Phosphor Bronze
 Contact plating: Au Or Sn over Ni
 Insulator Material: PA9T+30%G.F UL94V-0

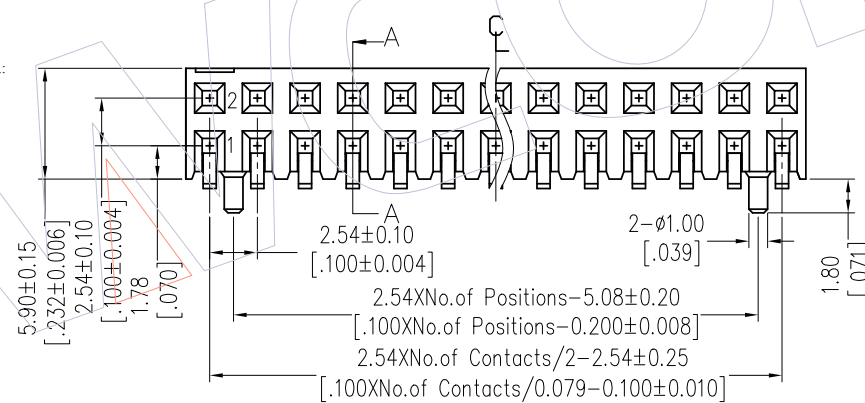
Recommended P.C.B Layout(Top Side)
 (PCB BOARD TOLERANCE±0.05)



Ordering Information

2159 - 2 XX M XX CUN X X

No. of Pins per ROW: 02-40PIN
 Contact Plating:
 G0=Gold Flash
 G3=10μ"Gold
 G4=15μ"Gold
 G5=30μ"Gold
 S0=Gold Flash/Tin
 S3=10μ"Gold/Tin
 S4=15μ"Gold/Tin
 S5=30μ"Gold/Tin
 SN=Tin
 SM=Matte Tin
 Packing:
 T=Tube
 R=Tube&Reel
 Series No.:
 1=Type1
 2=Type2



Item	Pitch	Mating
Standard	2.54	1125B
Alternate		

TITLE	PART NO.
TYPE 1	2159-2XXMXXCUN1
TYPE 2	2159-2XXMXXCUN2

REV	DATE	MODIFICATION DESCRIPTION	CHANGE	OPERATION	DRAW	DATE	SCALE	FIT	PART NO.
A2	2013/03/06	Modify drawing	-----	X.X ±0.40	Wang	2013/03/06	UNIT mm		SEE TABLE
A1	2012/08/24	Change the mating object	-----	X.XX ±0.25	CHECK	DATE	SIZE A4		TITLE: FH2.54 DUAL ROW 180° SMT H=5.9
AO	2012/08/10	NEW	-----	X.XXX ±0.15	APPROVE	DATE	SHEET 1/1		Customer NO.
				Angle ± 3°			PROJ.		
				DIM TOL					

WCON
 Http: www.wcon.com

WCON-Dongguan
 Tel: +86 769 85358920
 Fax: +86 769 85358915
 E-mail: sales@wcon.com

WCON-Kunshan
 Tel: +86 512 57468408
 Fax: +86 512 57468468
 E-mail: salesks@wcon.com