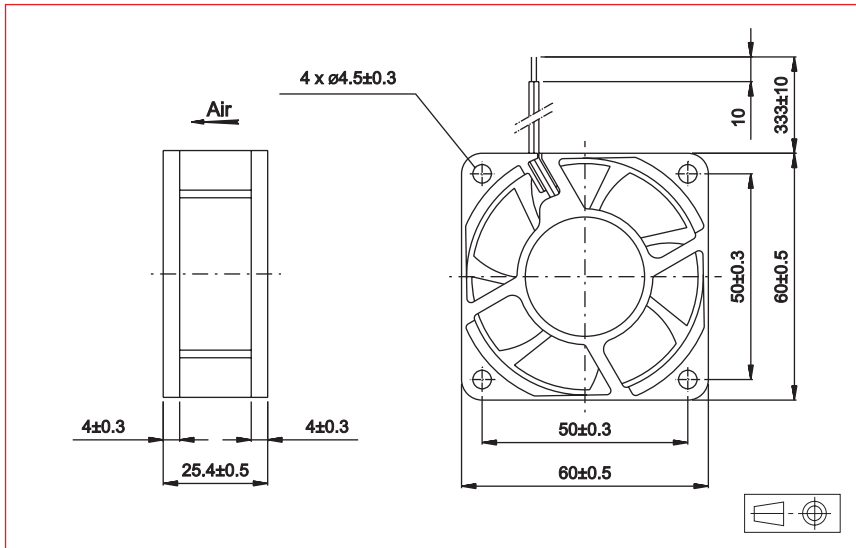


2,362" x 2,362" x 0,984"

60 x 60 x 25 mm

Series  
**281D**  
L, M, H, S  
speeds

**ETRI**<sup>®</sup>  
DC Axial Fans



Approvals



Life expectancy

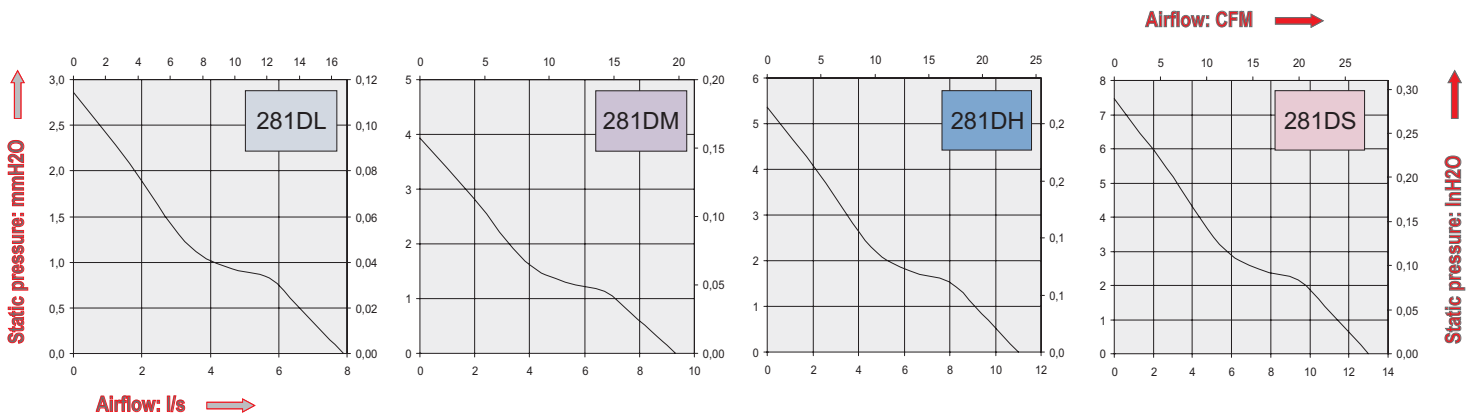
L-10 LIFE AT 40°C :  
70 000 hours

Brushless DC Motor

Electrical protection : impedance protected,  
Housing material : plastic UL 94 VO  
Impeller material : plastic UL 94 VO  
Weight : 80g  
Bearing system: ball bearings

Available with:

- Speed sensor
- Alarm
- IP54 / IP55



| Part Number    | Nominal voltage | Airflow | Noise level | Nominal speed | Input Power | Voltage range | Connection type |       | Operating temperature |    |
|----------------|-----------------|---------|-------------|---------------|-------------|---------------|-----------------|-------|-----------------------|----|
|                | V               |         |             |               |             |               | l/s             | dB(A) | RPM                   | W  |
| 281DL1LP11000B | 12              | 7,9     | 26,5        | 3100          | 0,96        | (4-13,8)      | X               |       | -10                   | 70 |
| 281DL2LP11000B | 24              | 7,9     | 26,5        | 3100          | 1,44        | (14-27,6)     | X               |       | -10                   | 70 |
| 281DM1LP11000B | 12              | 9,3     | 31          | 3600          | 1,56        | (4-13,8)      | X               |       | -10                   | 70 |
| 281DM2LP11000B | 24              | 9,3     | 31          | 3600          | 1,68        | (14-27,6)     | X               |       | -10                   | 70 |
| 281DH1LP11000B | 12              | 11      | 34          | 4250          | 1,68        | (4-13,8)      | X               |       | -10                   | 70 |
| 281DH2LP11000B | 24              | 11      | 34          | 4250          | 2,16        | (14-27,6)     | X               |       | -10                   | 70 |
| 281DS1LP11000B | 12              | 13      | 40          | 5000          | 2,04        | (4-13,8)      | X               |       | -10                   | 70 |
| 281DS2LP11000B | 24              | 13      | 40          | 5000          | 2,64        | (14-27,6)     | X               |       | -10                   | 70 |
| 281DS4LP11000B | 48              | 13      | 40          | 5000          | 3,84        | (28-56)       | X               |       | -10                   | 70 |

Additional versions:

Higher speeds (refer to page 13)

Accessories:

Refer to Accessories leaflet